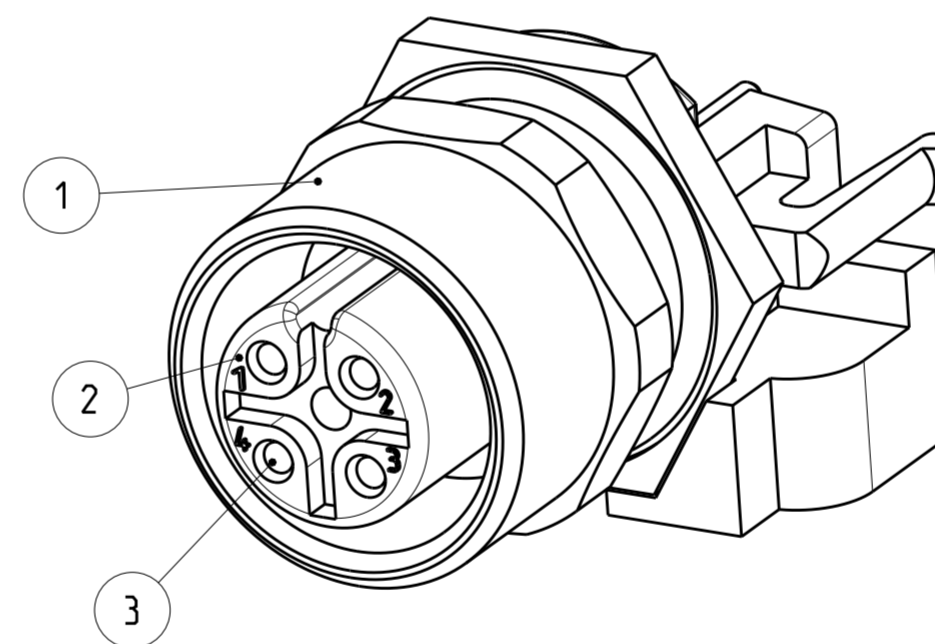
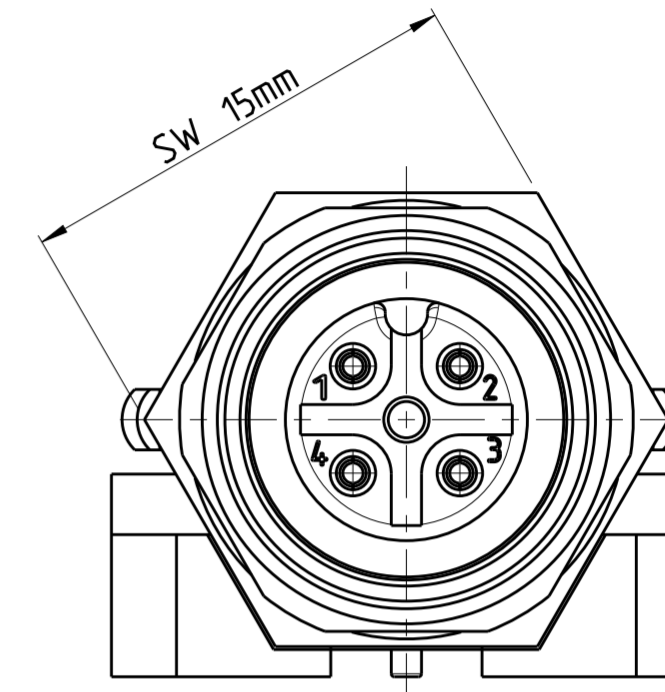
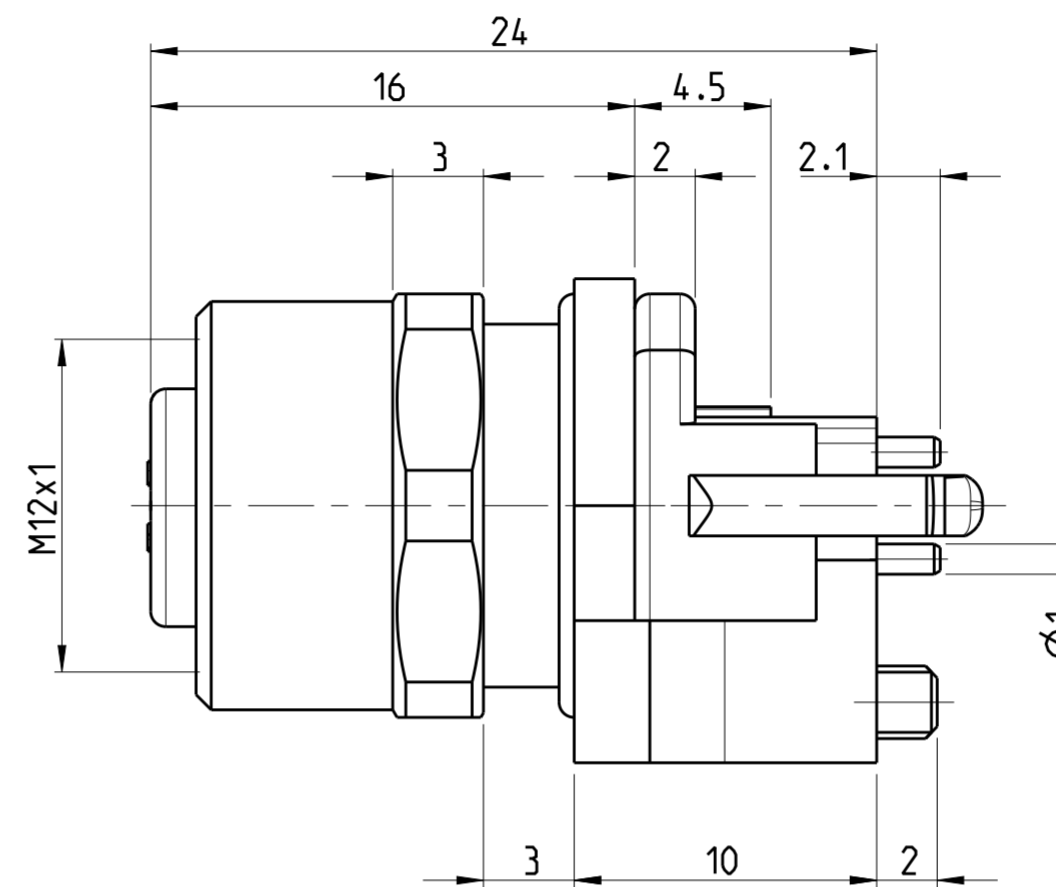
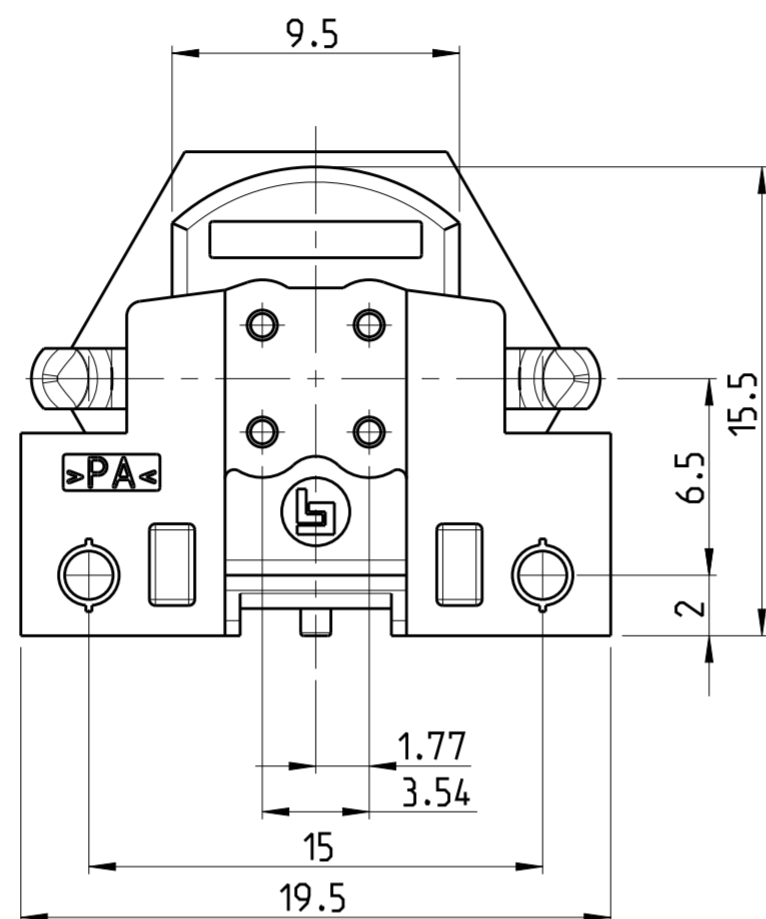


| P | LTR | REVISIONS ÄNDERUNGEN DESCRIPTION BESCHREIBUNG | DATE | DWN | APVD |
|---|-----|--|-----------|-----|------|
| | A | NEW RELEASE | 28NOV2014 | CR | JK |
| | A1 | 3-2172078-2 AND 4-2172078-2 DISCONTINUED | 23SEP2017 | TJ | NG |

⚠ MATERIAL: ITEM NO. 1: HOUSING - CuZn (BRASS, NICKEL PLATED)
 ITEM NO. 2: CONTACT BODY - PA
 ITEM NO. 3: CONTACT - CuSn (BRONZE)
 CONTACT FINISH - Au (GOLD)

2 ALL DIMENSIONS ARE FOR NOMINAL REFERENCE ONLY UNLESS OTHERWISE STATED

| TECHNICAL DATA | 3-2172078-2 | 4-2172078-2 | 5-2172078-2 |
|-----------------------|-------------|-------------|-------------|
| RATED VOLTAGE | 250V | 125V | 60V |
| RATED IMPULSE VOLTAGE | 2500V | 1500V | 800V |
| POLLUTION DEGREE | 3 | 3 | 3 |
| OVERVOLTAGE CATEGORY | II | II | II |
| MATERIAL GROUP | III | III | III |
| RATED CURRENT | 4A | 4A | 2A |
| VOLUME RESISTIVITY | ≤ 3mΩ | ≤ 3mΩ | ≤ 3mΩ |
| DEGREE OF PROTECTION | IP68 | IP68 | IP68 |
| UPPER TEMPERATURE | +85 °C | +85 °C | +85 °C |
| LOWER TEMPERATURE | -40 °C | +40 °C | +40 °C |

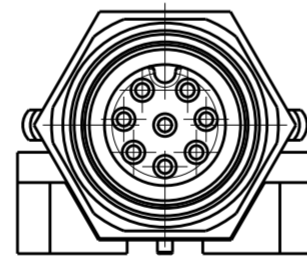
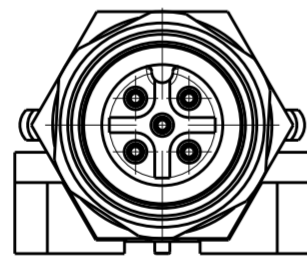
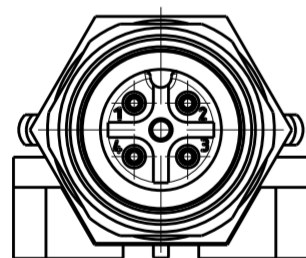


PIN ARRANGEMENT
A-CODING (SCALE 2:1)

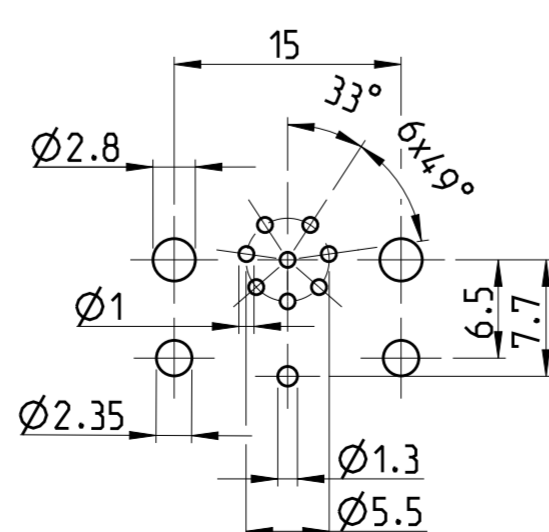
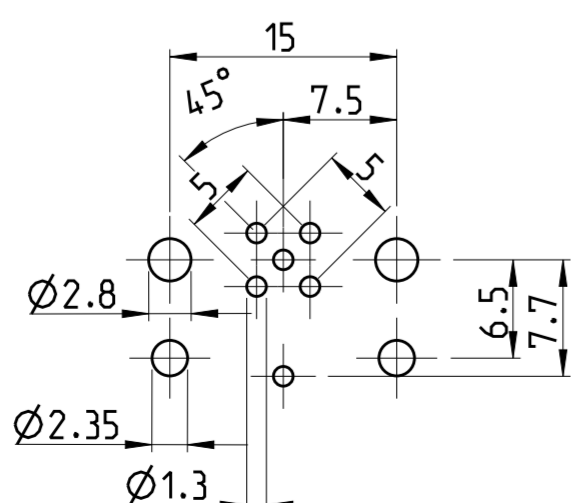
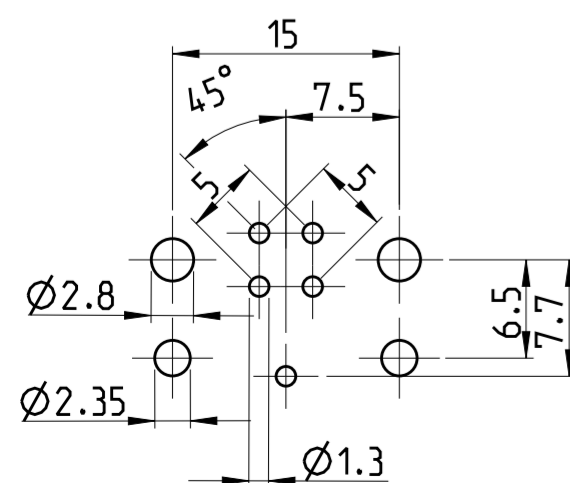
3-2172078-2

4-2172078-2

5-2172078-2



CONDUCTOR LAYOUT



SIZE ISO 14405 (E)

| | | | |
|--|--|--|--|
| DIESE ZEICHNUNG IST EIN KONTROLLIERTES DOKUMENT. BEMASSUNGEN UND TOLERANZEN GEMAESS GPS (ISO STANDARDS). | | DWN YASHKUMAR 09AUG2014 | |
| THIS DRAWING IS A CONTROLLED DOCUMENT. DIMENSIONING AND TOLERANCING PER GPS (ISO STANDARDS). | | CHK M. BRUBAKER 09AUG2014 | |
| DIMENSIONS: MASSEINHEITEN: (MM) | | APVD M. BRUBAKER 09AUG2014 | |
| TOLERANCES UNLESS OTHERWISE SPECIFIED: ALLGEMEINTOLERANZEN | | NAME M12 RECEPTACLE, PCB ASSEMBLY, STRAIGHT, SHIELDED CONNECTOR, A-CODED | |
| 0 PLC ± | | PRODUCT SPEC 108-19483 | |
| 1 PLC ± | | APPLICATION SPEC | |
| 2 PLC ± | | VERARBEITUNGSSPEZ 114-32127 | |
| 3 PLC ± | | WEIGHT - | |
| 4 PLC ± | | Customer Drawing | |
| ANGLES/WINKEL ± | | SCALE MASSSTAB 2:1 | |
| FINISH/OBERFLÄCHE/FARBE | | SHEET BLATT 1 OF 1 | |

| | | |
|----------|-----------------|------------------------|
| ⚠ | 8 | 5-2172078-2 |
| ⚠ | 5 | 4-2172078-2 |
| ⚠ | 4 | 3-2172078-2 |
| MATERIAL | NUMBER OF POLES | TE-PART-NO. |

STE TE Connectivity

M12 RECEPTACLE, PCB ASSEMBLY, STRAIGHT, SHIELDED CONNECTOR, A-CODED

| | | | |
|------------------|-----------------|--------------------------------------|-------------------------|
| SIZE A2 | CAGE CODE 00779 | DRAWING NO. ZEICHNUNGS-NR. C-2172078 | RESTRICTED TO NUR FÜR - |
| /KUNDENZEICHNUNG | | SCALE MASSSTAB 2:1 | SHEET BLATT 1 OF 1 |
| REV A1 | | | |