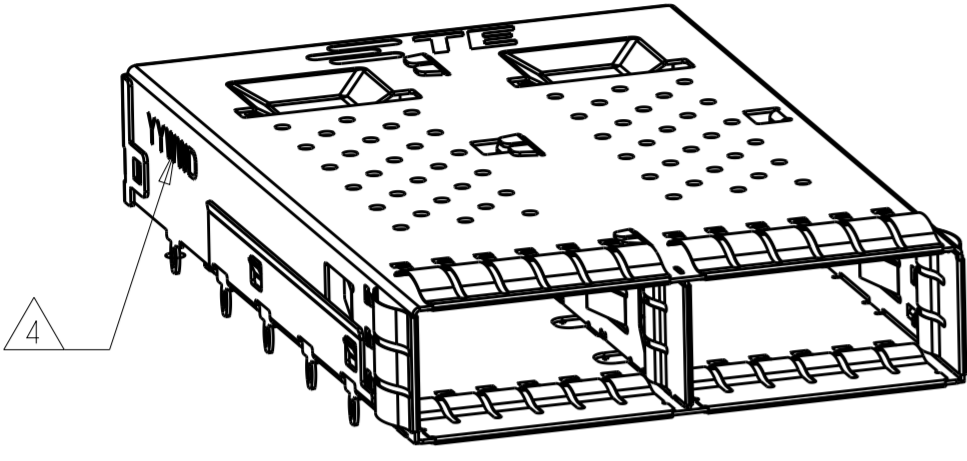


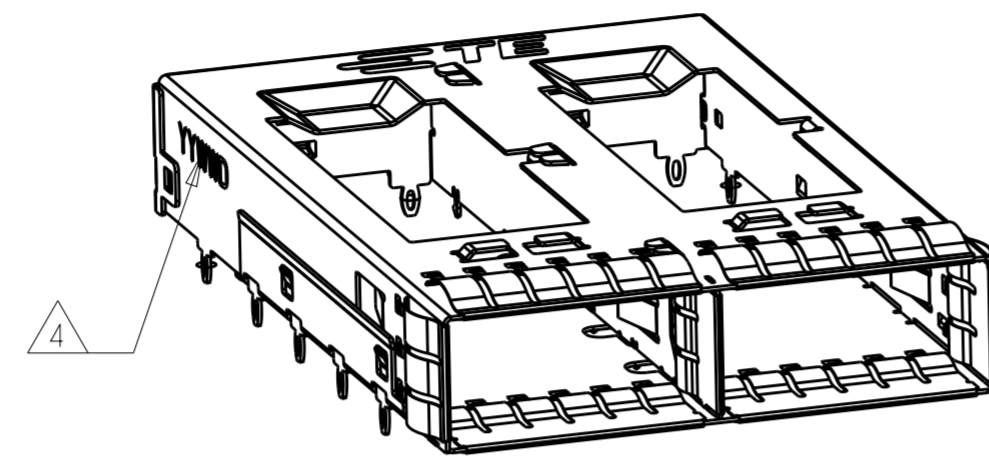
THIS DRAWING IS UNPUBLISHED. RELEASED FOR PUBLICATION 20
 © COPYRIGHT 20 BY - ALL RIGHTS RESERVED.

LOC	DIST	REVISIONS					
GP	00	P	LTR	DESCRIPTION	DATE	DWN	APVD
		A		INITIAL RELEASE	02FEB2016	JY	SH
		B		ADD PN 2170805-9 W/THERMAL FILM	12MAR2018	JY	SH
		C		MODIFY 2170805-9 W/COPPER FOIL	05JUN2018	JY	SH
		D		REVISED PER ECO-19-002193	09JAN2019	JY	SH

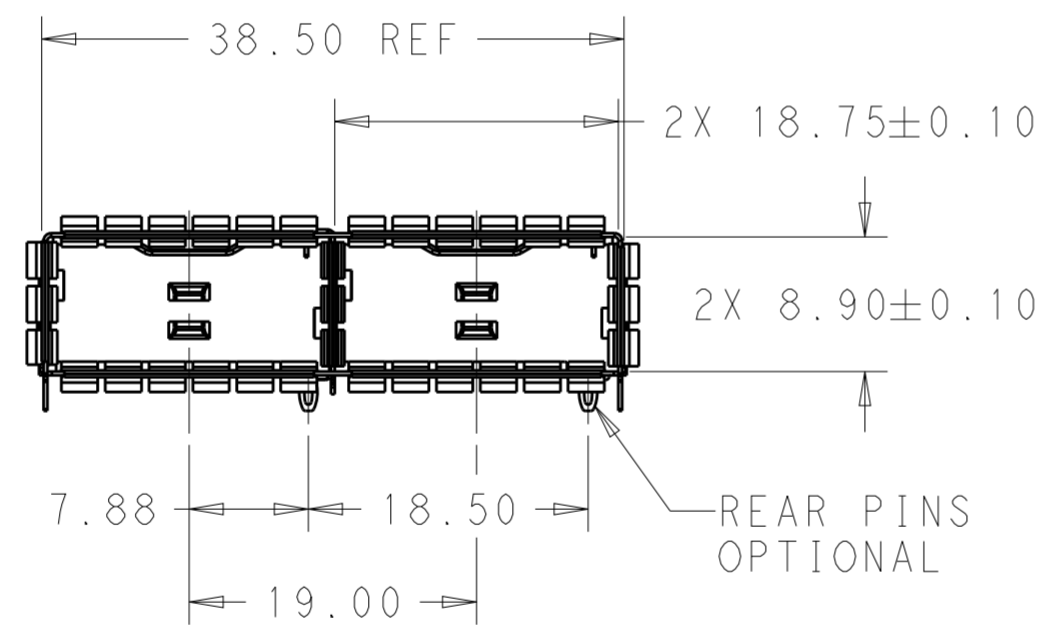
- COMPONENTS
 CAGE ASSEMBLY: NICKEL-SILVER ALLOY
 EMI SPRING: COPPER ALLOY/NICKEL PLATE
 PURE COPPER FOIL: CONDUCTIVE, ADHESIVE
- REFERENCE APPLICATION SPECIFICATION 114-32023 FOR RECOMMENDED DRILL HOLE DIAMETER AND PLATING THICKNESS
- DATUM AND BASIC DIMENSION ESTABLISHED BY CUSTOMER
- DATE CODE (YYWWD) MARKED APPROXIMATELY AS SHOWN.
- MATES WITH QSFP28 MSA COMPATIBLE TRANSCEIVER.
- MINIMUM PC BOARD THICKNESS: SINGLE SIDED: 1.57 MIN
 DOUBLE SIDED: 2.20 MIN
- DATUM **-A-** IS TOP SURFACE OF THE HOST BOARD.
- THESE HOLES ARE OPTIONAL WHEN THE REAR PINS ARE REMOVED.



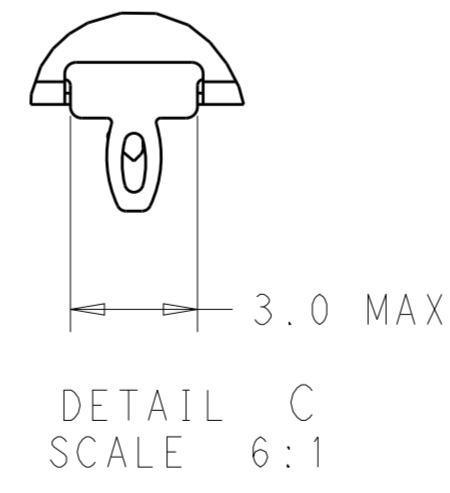
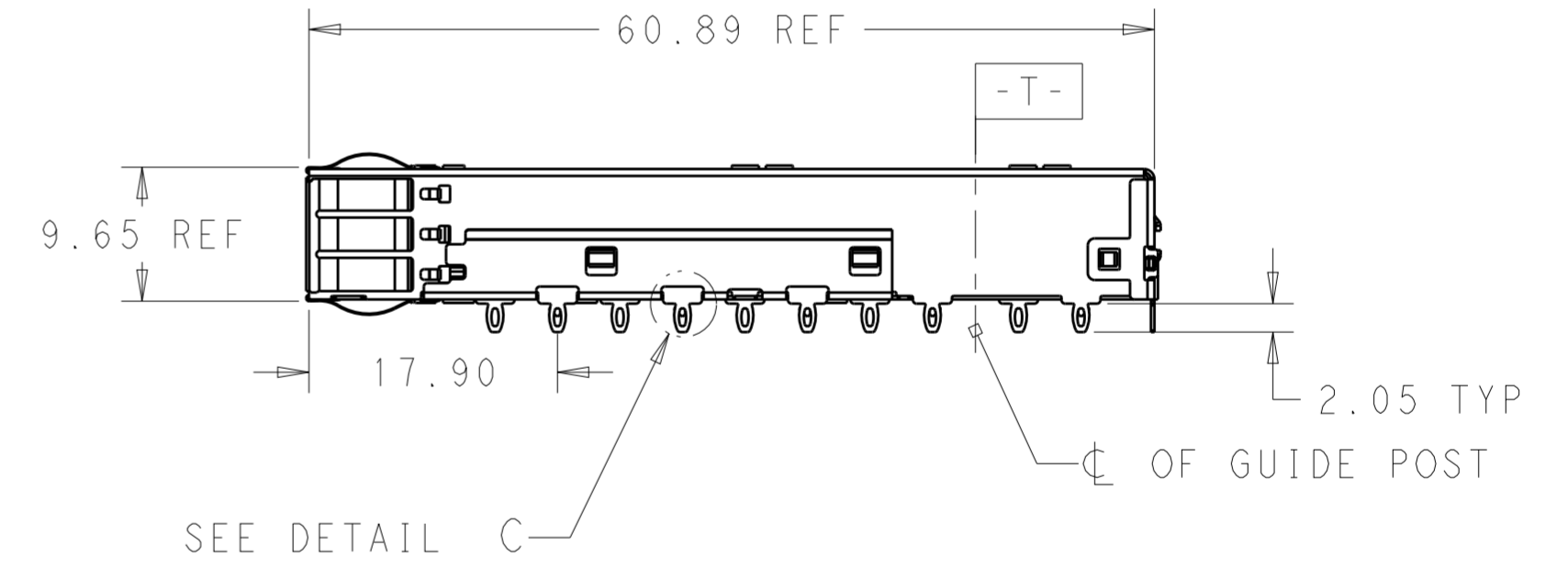
2170805-1, -4 AS SHOWN
 SCALE 2:1



2170805-2, -5 AS SHOWN
 SCALE 2:1



SCALE 2:1



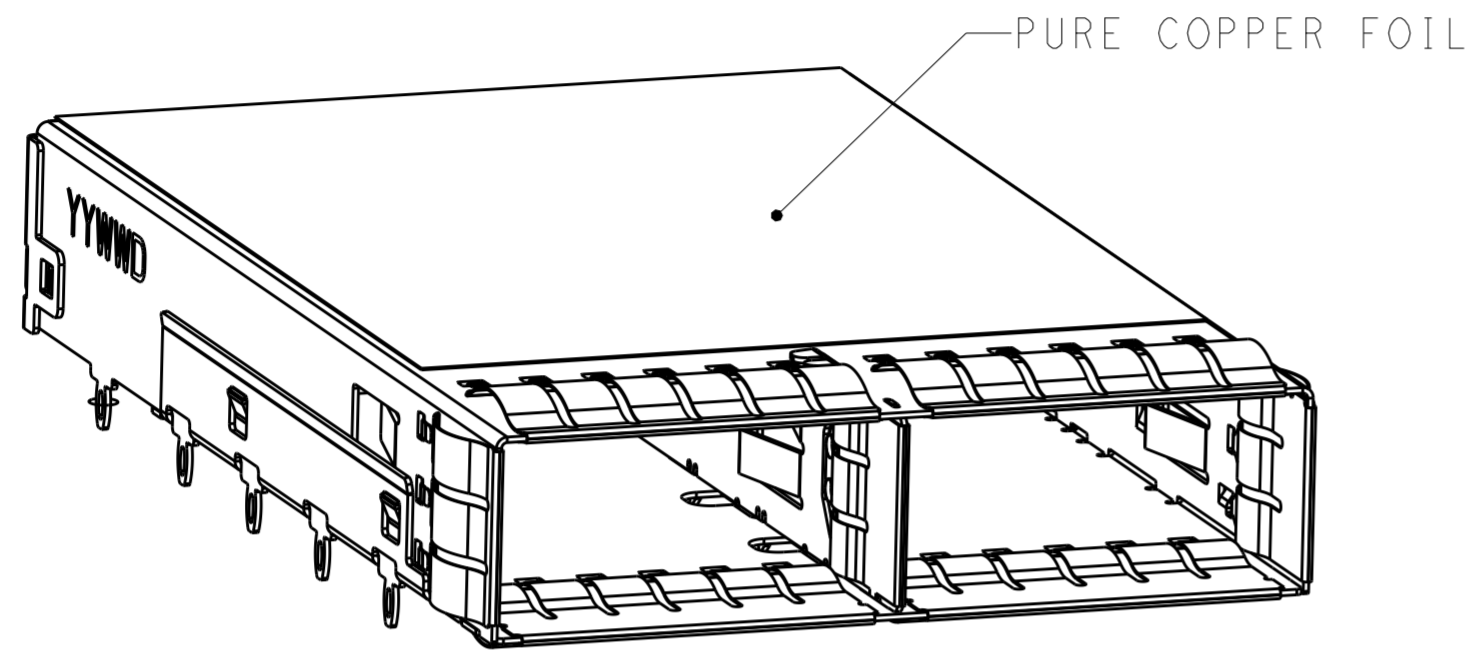
WITH	WITH	WITHOUT	2170805-9
WITHOUT	WITHOUT	WITH	2170805-5
WITHOUT	WITHOUT	WITHOUT	2170805-4
WITHOUT	WITH	WITH	2170805-2
WITHOUT	WITH	WITHOUT	2170805-1
COPPER FOIL	REAR PIN OPTIONAL	HEAT SINK OPEN OPTIONAL	PART NUMBER

THIS DRAWING IS A CONTROLLED DOCUMENT.

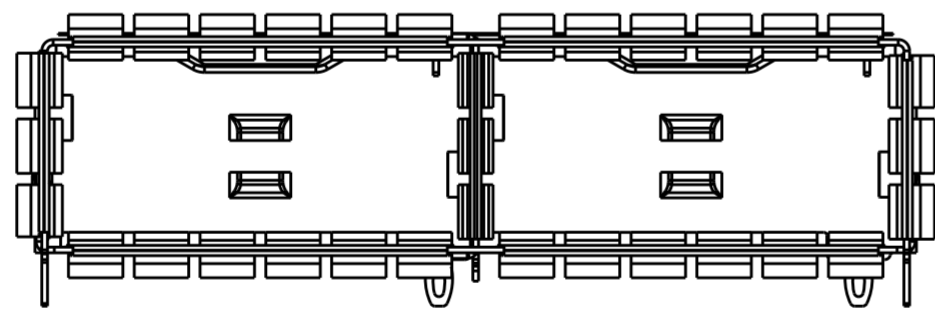
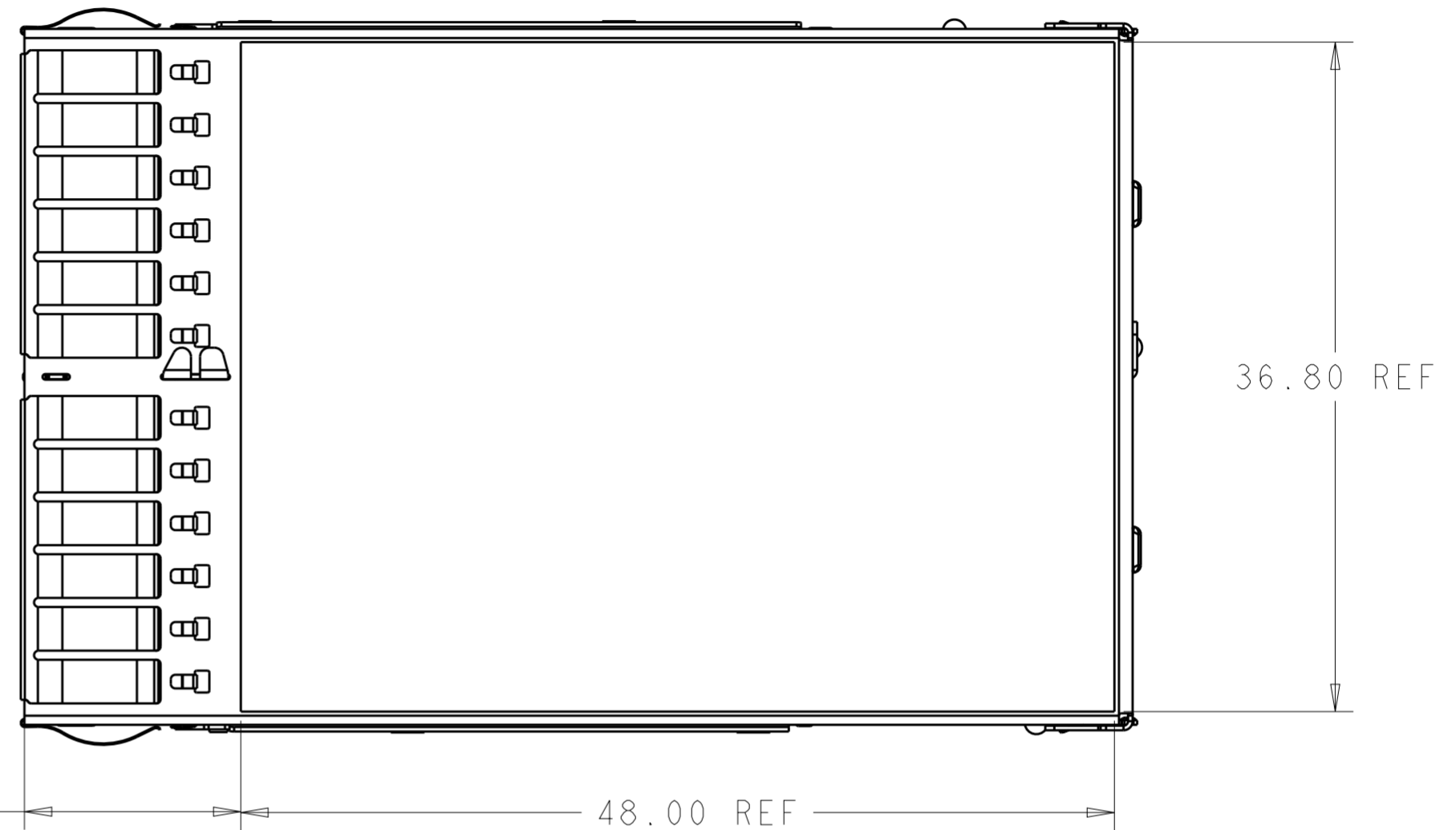
DIMENSIONS: mm	TOLERANCES UNLESS OTHERWISE SPECIFIED:	DWN BING LIU 15SEP2014	TE Connectivity RECEPTACLE CAGE ASSEMBLY THRU BEZEL, 1X2, QSFP28, SPRING
	0 PLC ±	CHK JASON YANG 15SEP2014	
	1 PLC ±0.25	APVD SEAN HAN 02FEB2016	
	2 PLC ±0.2	PRODUCT SPEC 108-19428	
MATERIAL	3 PLC ±	APPLICATION SPEC 114-32023	SIZE CAGE CODE DRAWING NO RESTRICTED TO
SEE NOTES	4 PLC ±	WEIGHT -	A200779 C-2170805
SEE NOTES	ANGLES ±	CUSTOMER DRAWING	SCALE 1:1 SHEET 1 OF 6 REV D
	FINISH ±		

THIS DRAWING IS UNPUBLISHED. RELEASED FOR PUBLICATION 20
 © COPYRIGHT 20 BY - ALL RIGHTS RESERVED.

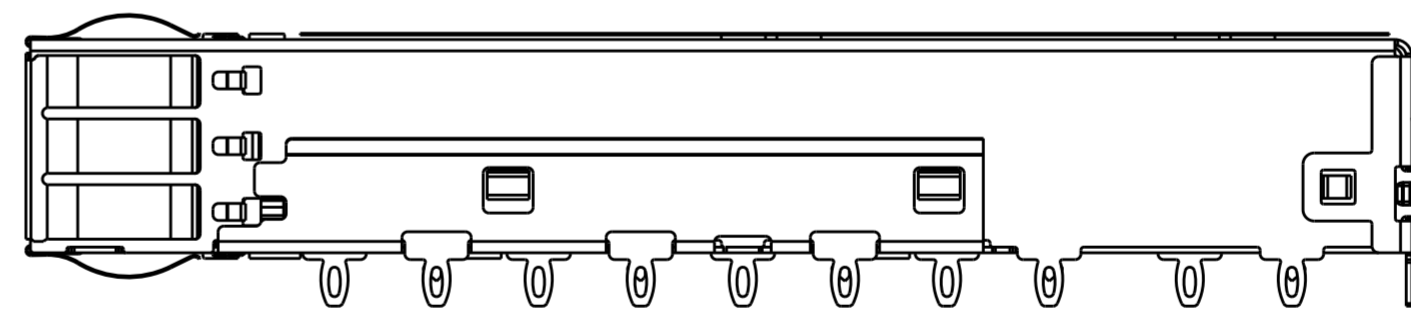
LOC	DIST	REVISIONS			
P	LTR	DESCRIPTION	DATE	DWN	APVD
GP	00	-	SEE SHEET 1	-	-



2170805-9 AS SHOWN
 UNSPECIFIED DIMENSIONS ARE SAME AS 2170805-1
 SCALE 3:1



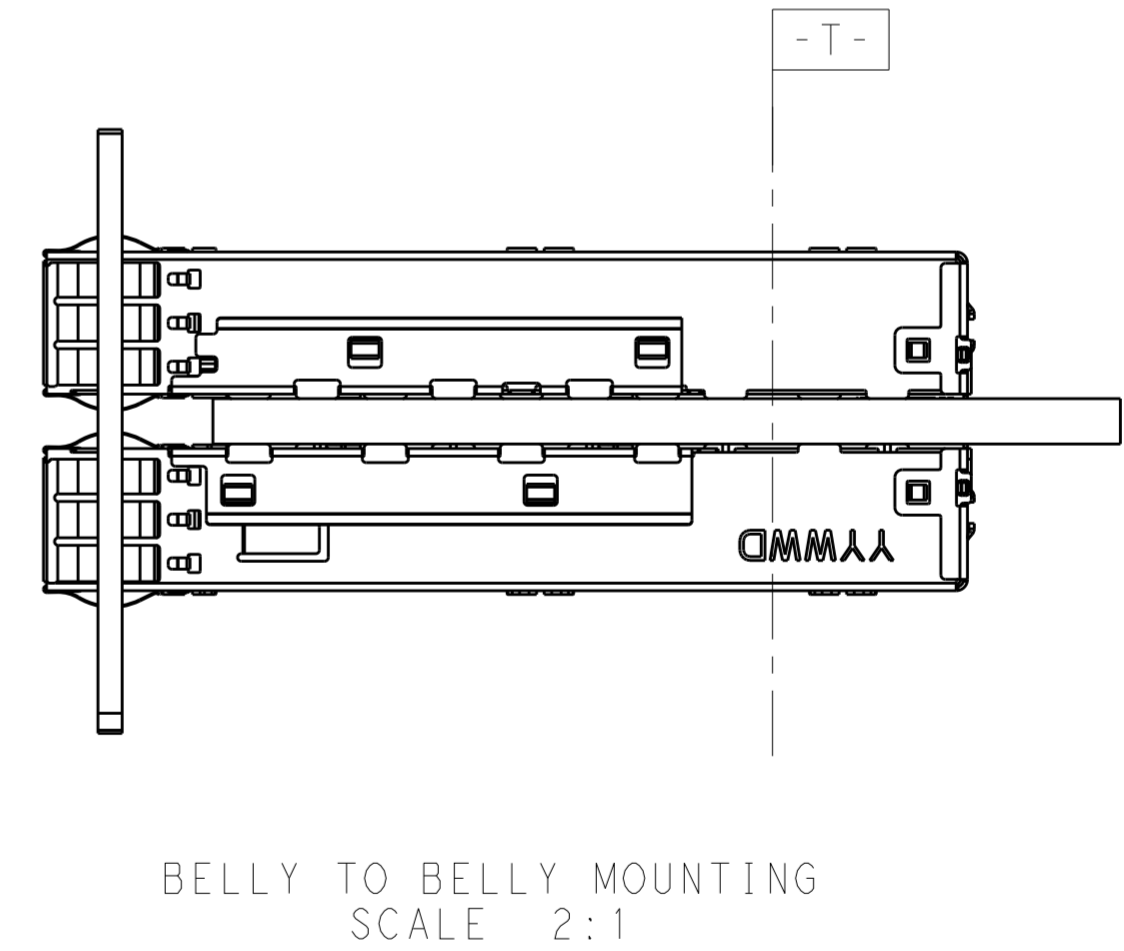
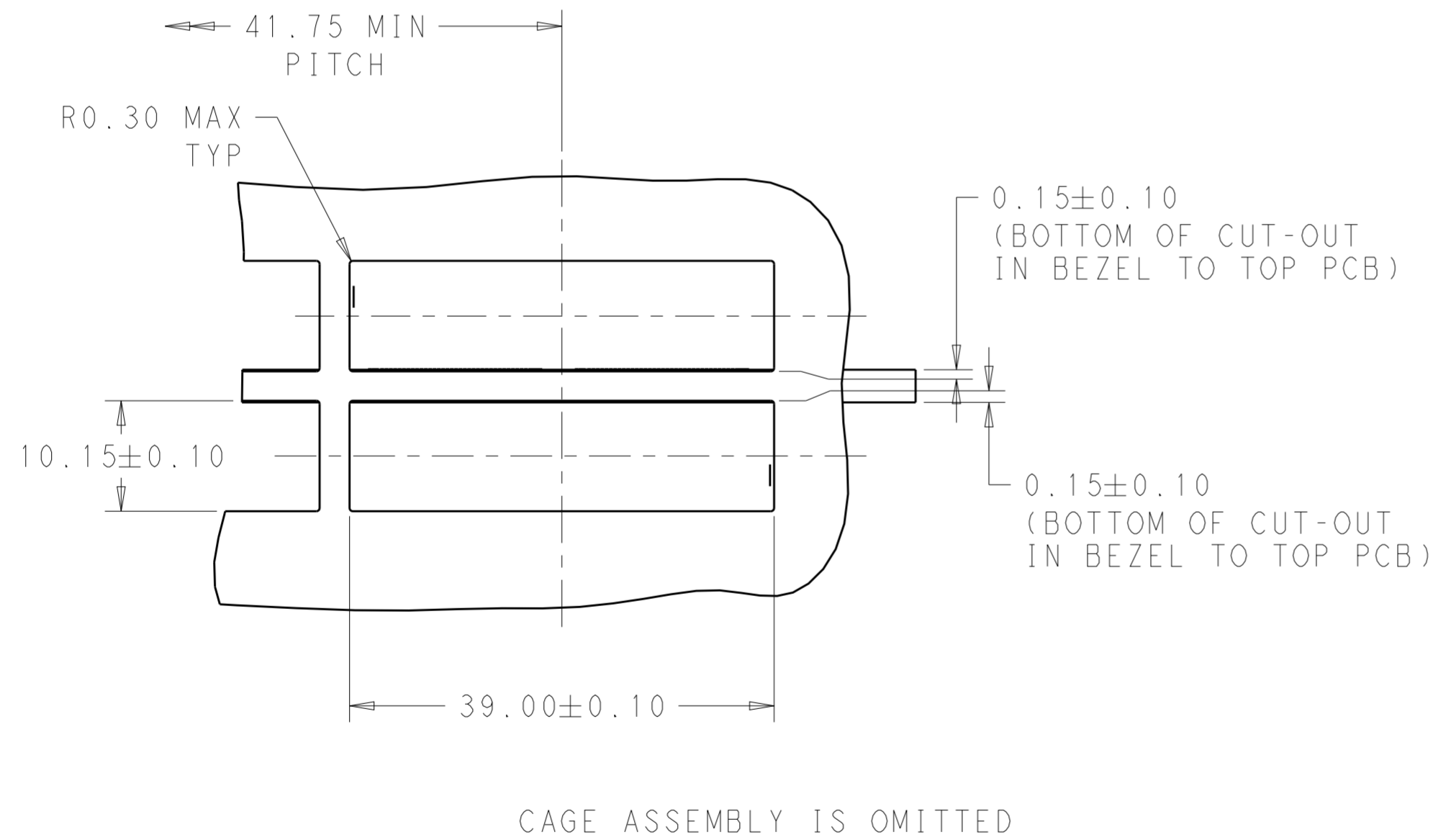
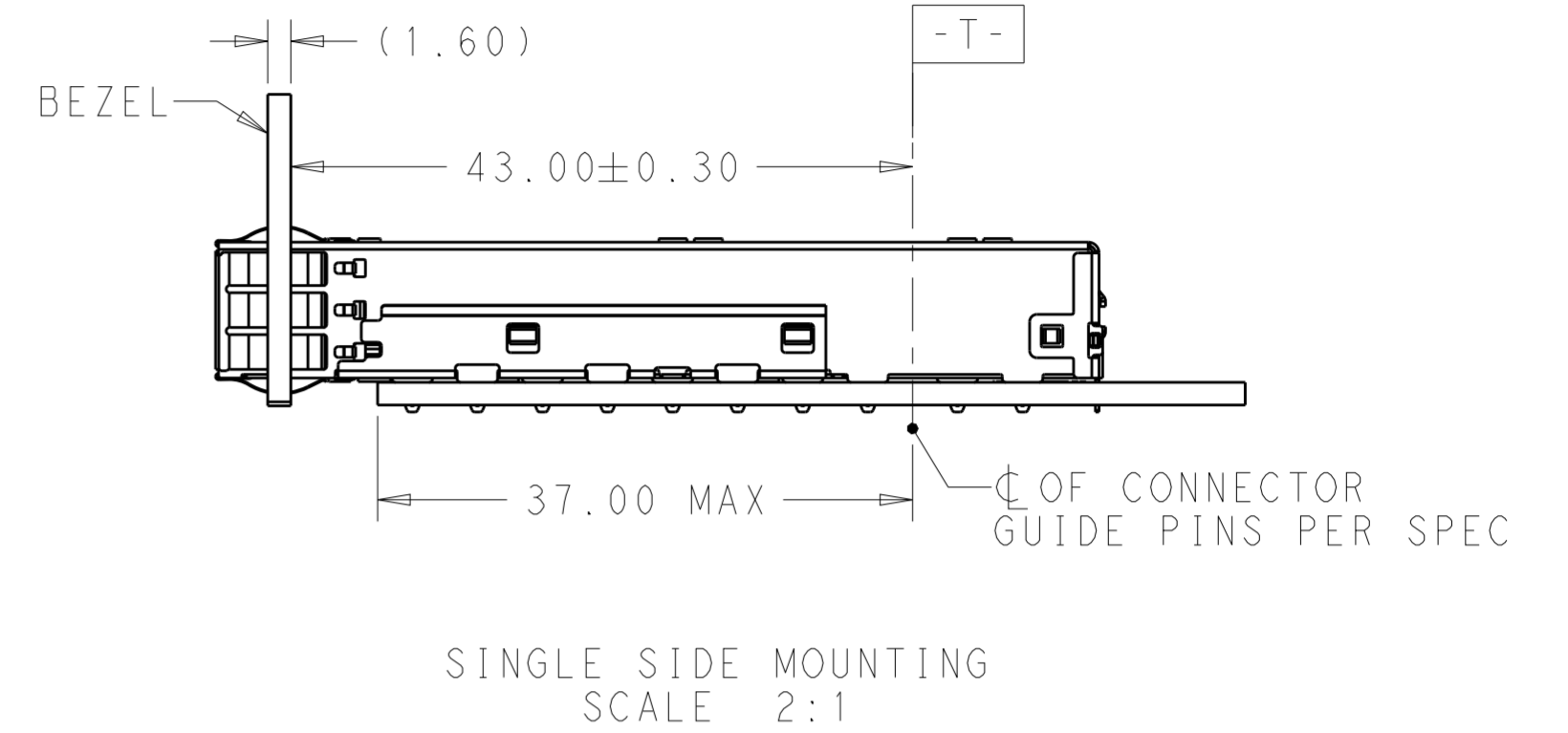
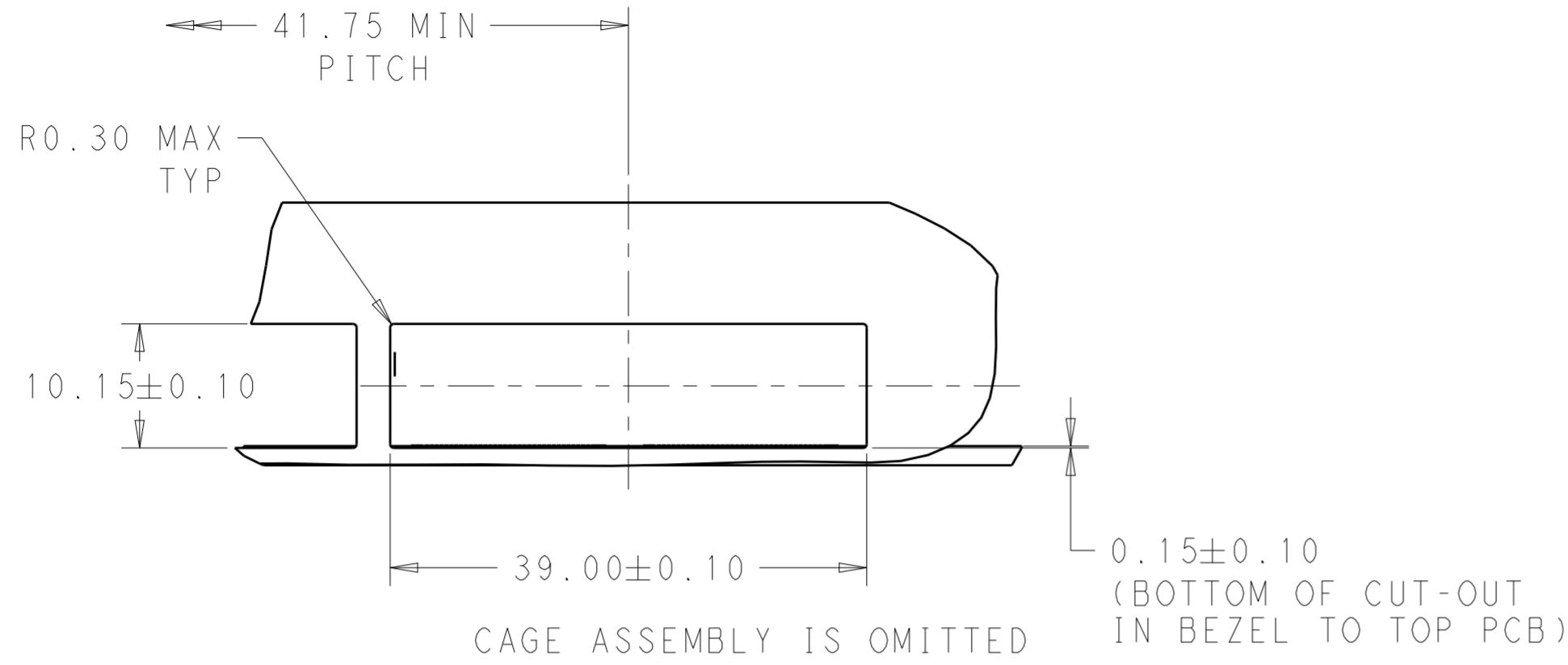
SCALE 3:1



THIS DRAWING IS A CONTROLLED DOCUMENT.		DWN BING LIU 15SEP2014	TE Connectivity	
DIMENSIONS: mm		CHK JASON YANG 15SEP2014		
TOLERANCES UNLESS OTHERWISE SPECIFIED:		APVD SEAN HAN 02FEB2016	NAME RECEPTACLE CAGE ASSEMBLY THRU BEZEL, 1X2, OSFP28, SPRING	
		PRODUCT SPEC 108-19428	SIZE 114-32023	RESTRICTED TO
MATERIAL		APPLICATION SPEC	SCALE 1:1	SHEET 2 OF 6
SEE NOTES		WEIGHT -	DRAWING NO A200779C-2170805	REV D
SEE NOTES		CUSTOMER DRAWING		

THIS DRAWING IS UNPUBLISHED. RELEASED FOR PUBLICATION 20
 © COPYRIGHT 20 BY - ALL RIGHTS RESERVED.

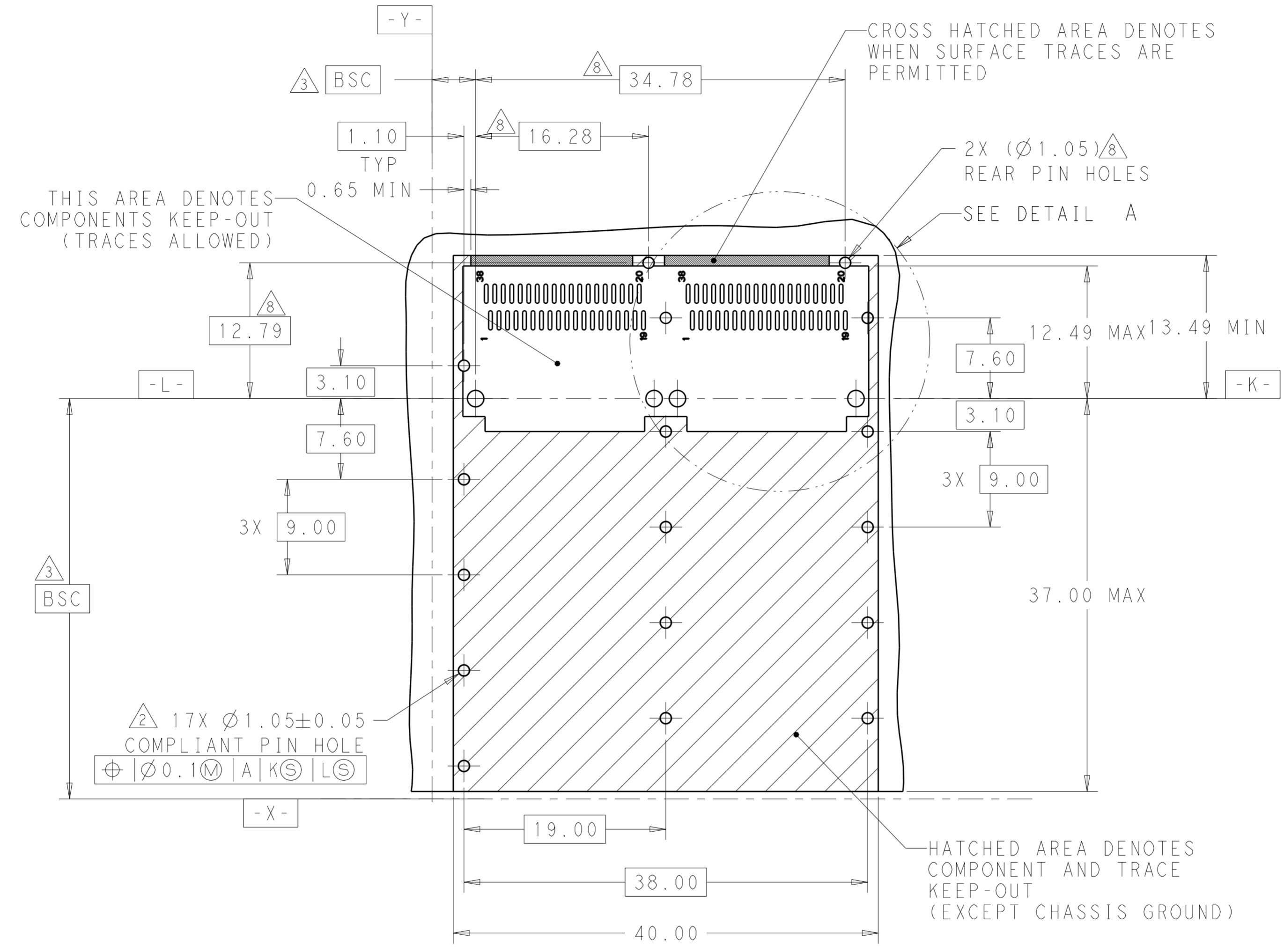
LOC	DIST	REVISIONS					
GP	00	P	LTR	DESCRIPTION	DATE	DWN	APVD
		-		SEE SHEET 1			



THIS DRAWING IS A CONTROLLED DOCUMENT.		DWN BING LIU 15SEP2014	STE TE Connectivity	
DIMENSIONS: mm		CHK JASON YANG 15SEP2014		
TOLERANCES UNLESS OTHERWISE SPECIFIED:		APVD SEAN HAN 02FEB2016	NAME RECEPTACLE CAGE ASSEMBLY THRU BEZEL, 1X2, OSFP28, SPRING	
0 PLC ±		PRODUCT SPEC 108-19428	SIZE CAGE CODE DRAWING NO RESTRICTED TO	
1 PLC ±0.25		APPLICATION SPEC 114-32023	A200779C-2170805	
2 PLC ±0.2		WEIGHT -	SCALE 1:1 SHEET 3 OF 6 REV D	
3 PLC ±		CUSTOMER DRAWING		
4 PLC ±				
ANGLES ±				
FINISH ±				
MATERIAL SEE NOTES				
SEE NOTES				

THIS DRAWING IS UNPUBLISHED. RELEASED FOR PUBLICATION 20
 © COPYRIGHT 20 BY - ALL RIGHTS RESERVED.

LOC	DIST	REVISIONS					
GP	00	P	LTR	DESCRIPTION	DATE	DWN	APVD
		-		SEE SHEET 1	-	-	-

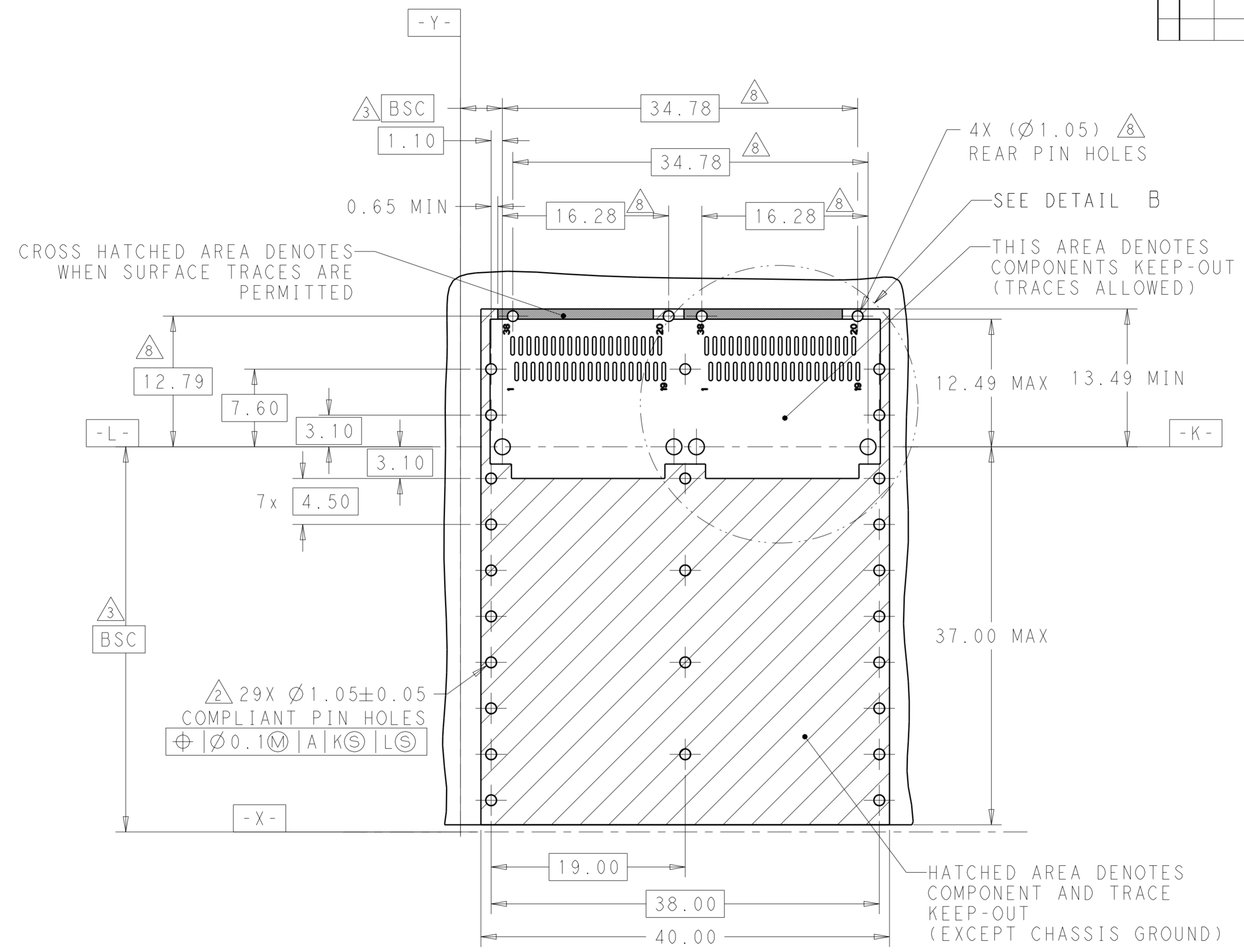


RECOMMENDED PCB LAYOUT
 SINGLE TYPE
 PCB TOLERANCE: ±0.05
 SCALE 3:1

THIS DRAWING IS A CONTROLLED DOCUMENT.		DWN BING LIU 15SEP2014	TE Connectivity	
DIMENSIONS: mm		CHK JASON YANG 15SEP2014		
TOLERANCES UNLESS OTHERWISE SPECIFIED:		APVD SEAN HAN 02FEB2016	NAME RECEPTACLE CAGE ASSEMBLY THRU BEZEL, 1X2, OSFP28, SPRING	
0 PLC ±- 1 PLC ±0.25 2 PLC ±0.2 3 PLC ±- 4 PLC ±- ANGLES ±- FINISH ±-		PRODUCT SPEC 108-19428	SIZE A200779	
MATERIAL SEE NOTES		APPLICATION SPEC 114-32023	DRAWING NO C-2170805	
SEE NOTES		WEIGHT -	RESTRICTED TO -	
		CUSTOMER DRAWING	SCALE 1:1 SHEET 4 OF 6 REV D	

THIS DRAWING IS UNPUBLISHED. RELEASED FOR PUBLICATION 20
 © COPYRIGHT 20 BY - ALL RIGHTS RESERVED.

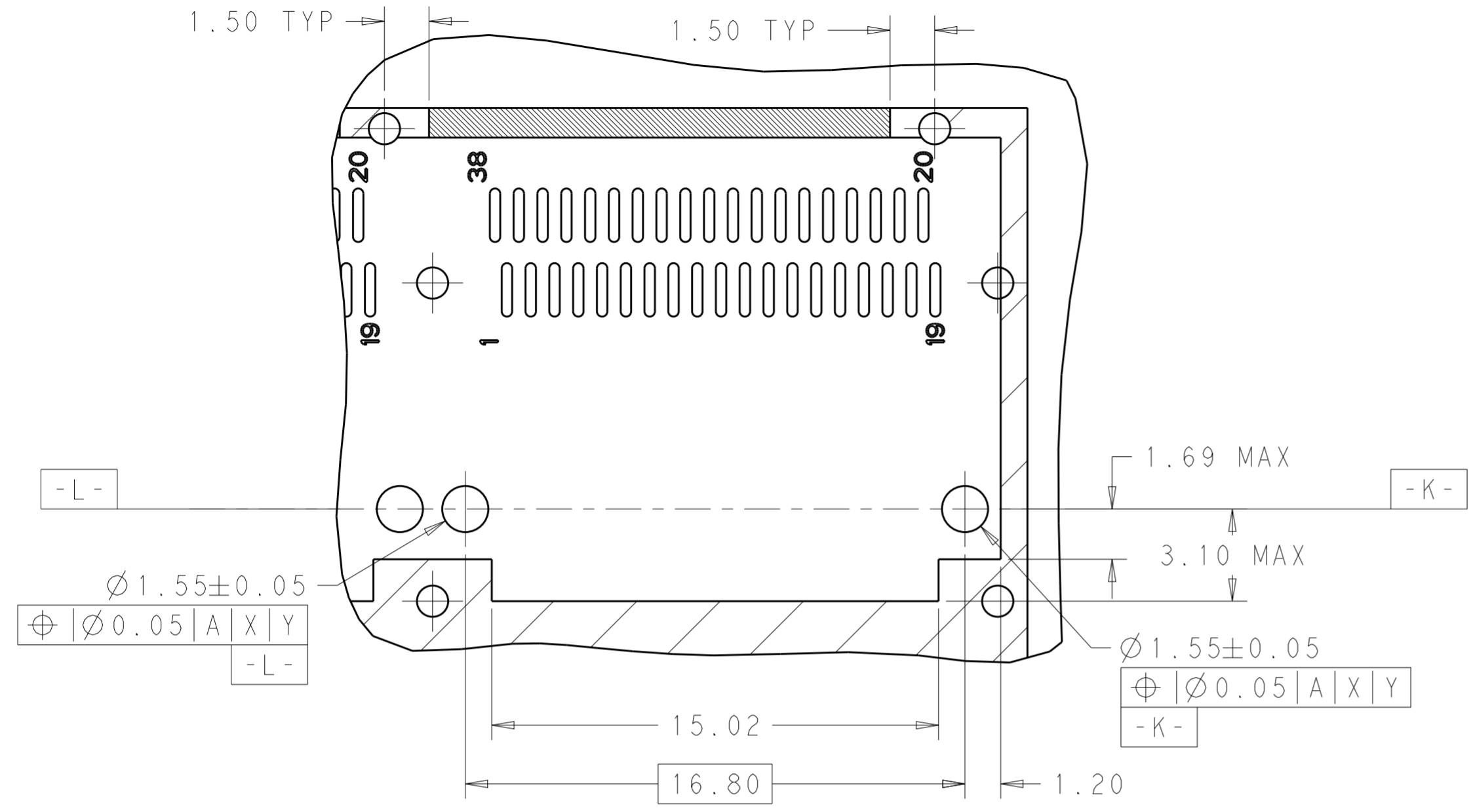
LOC	DIST	REVISIONS					
GP	00	P	LTR	DESCRIPTION	DATE	DWN	APVD
		-		SEE SHEET 1	-	-	-



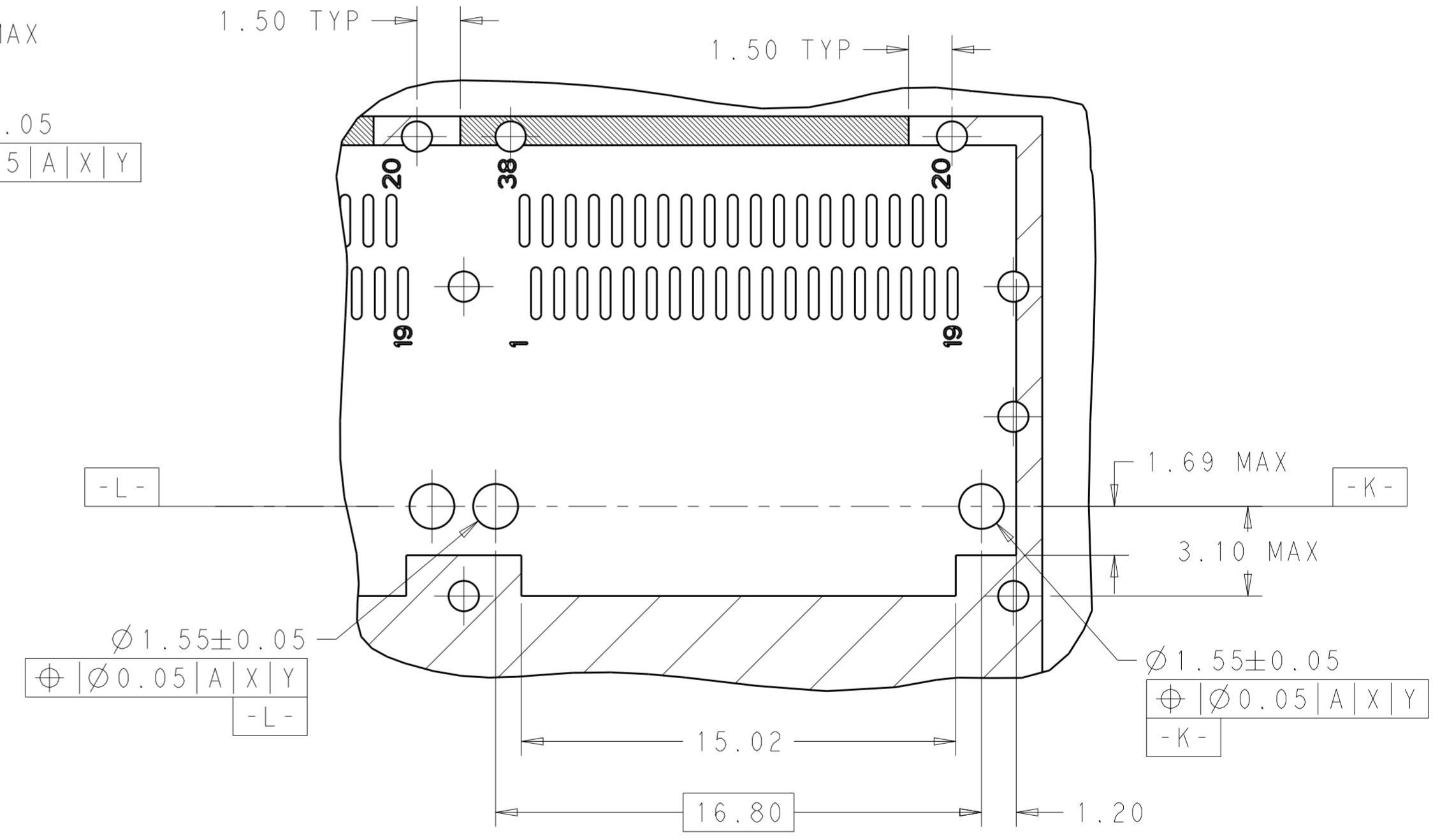
THIS DRAWING IS A CONTROLLED DOCUMENT.		DWN BING LIU 15SEP2014	TE Connectivity	
DIMENSIONS: mm		CHK JASON YANG 15SEP2014		
TOLERANCES UNLESS OTHERWISE SPECIFIED:		APVD SEAN HAN 02FEB2016	NAME RECEPTACLE CAGE ASSEMBLY THRU BEZEL, 1X2, QSFP28, SPRING	
0 PLC ± 1 PLC ±0.25 2 PLC ±0.2 3 PLC ± 4 PLC ± ANGLES ± FINISH ±		PRODUCT SPEC 108-19428	SIZE A200779	CAGE CODE C-2170805
MATERIAL SEE NOTES		APPLICATION SPEC 114-32023	DRAWING NO C-2170805	RESTRICTED TO -
SEE NOTES		WEIGHT -	CUSTOMER DRAWING	SCALE 1:1 SHEET 5 OF 6 REV D

THIS DRAWING IS UNPUBLISHED. RELEASED FOR PUBLICATION 20
 © COPYRIGHT 20 BY - ALL RIGHTS RESERVED.

LOC	DIST	REVISIONS					
GP	00	P	LTR	DESCRIPTION	DATE	DWN	APVD
		-		SEE SHEET 1			



DETAIL A
SCALE 6:1



DETAIL B
SCALE 6:1

THIS DRAWING IS A CONTROLLED DOCUMENT.		DWN BING LIU 15SEP2014	TE Connectivity	
DIMENSIONS: mm		CHK JASON YANG 15SEP2014		
TOLERANCES UNLESS OTHERWISE SPECIFIED:		APVD SEAN HAN 02FEB2016	NAME RECEPTACLE CAGE ASSEMBLY THRU BEZEL, 1X2, OSFP28, SPRING	
0 PLC ± 1 PLC ±0.25 2 PLC ±0.2 3 PLC ± 4 PLC ± ANGLES ± FINISH ±		PRODUCT SPEC 108-19428	RESTRICTED TO	
MATERIAL		APPLICATION SPEC 114-32023	SIZE A2	CAGE CODE 00779
SEE NOTES		WEIGHT -	DRAWING NO C-2170805	REV D
		CUSTOMER DRAWING	SCALE 1:1	SHEET 6 OF 6