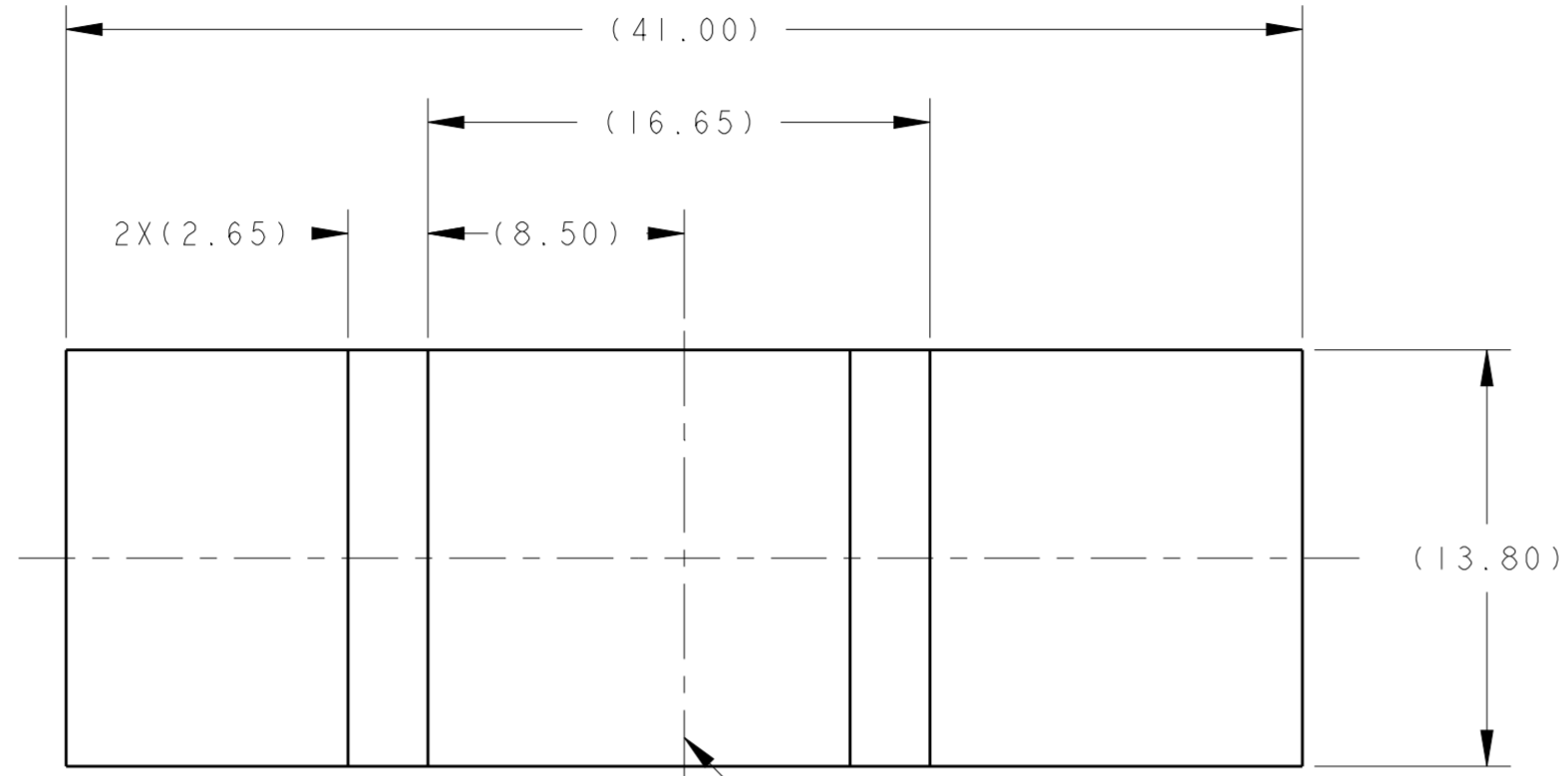


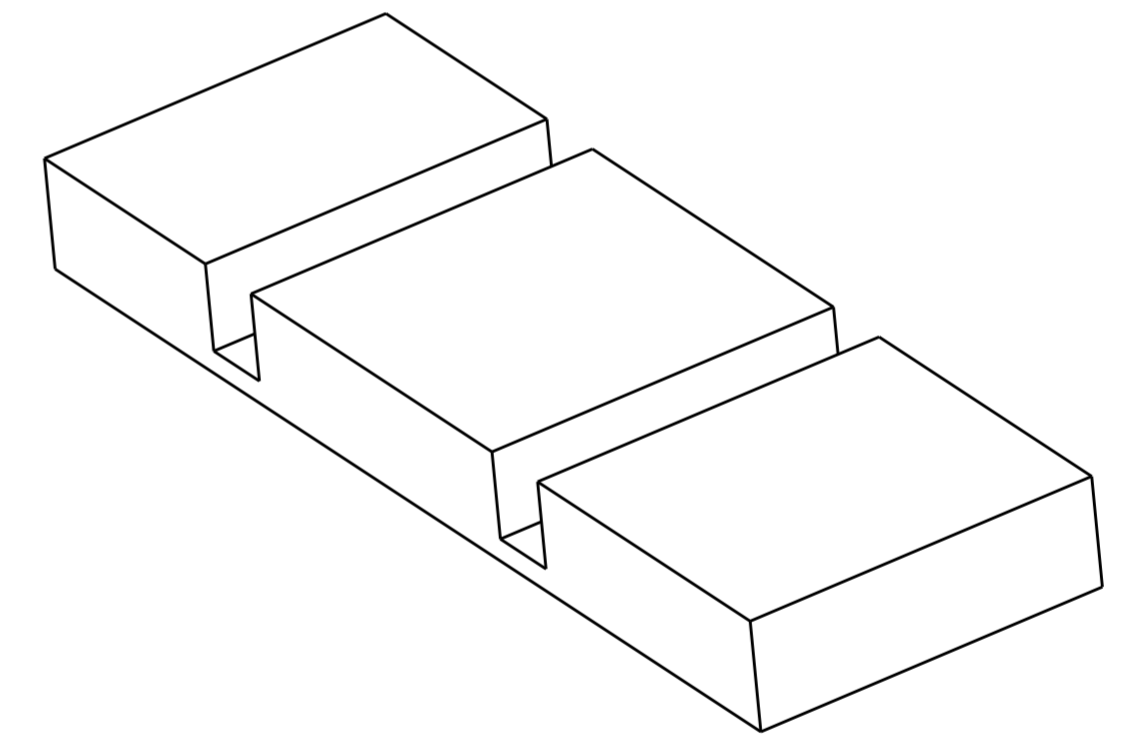
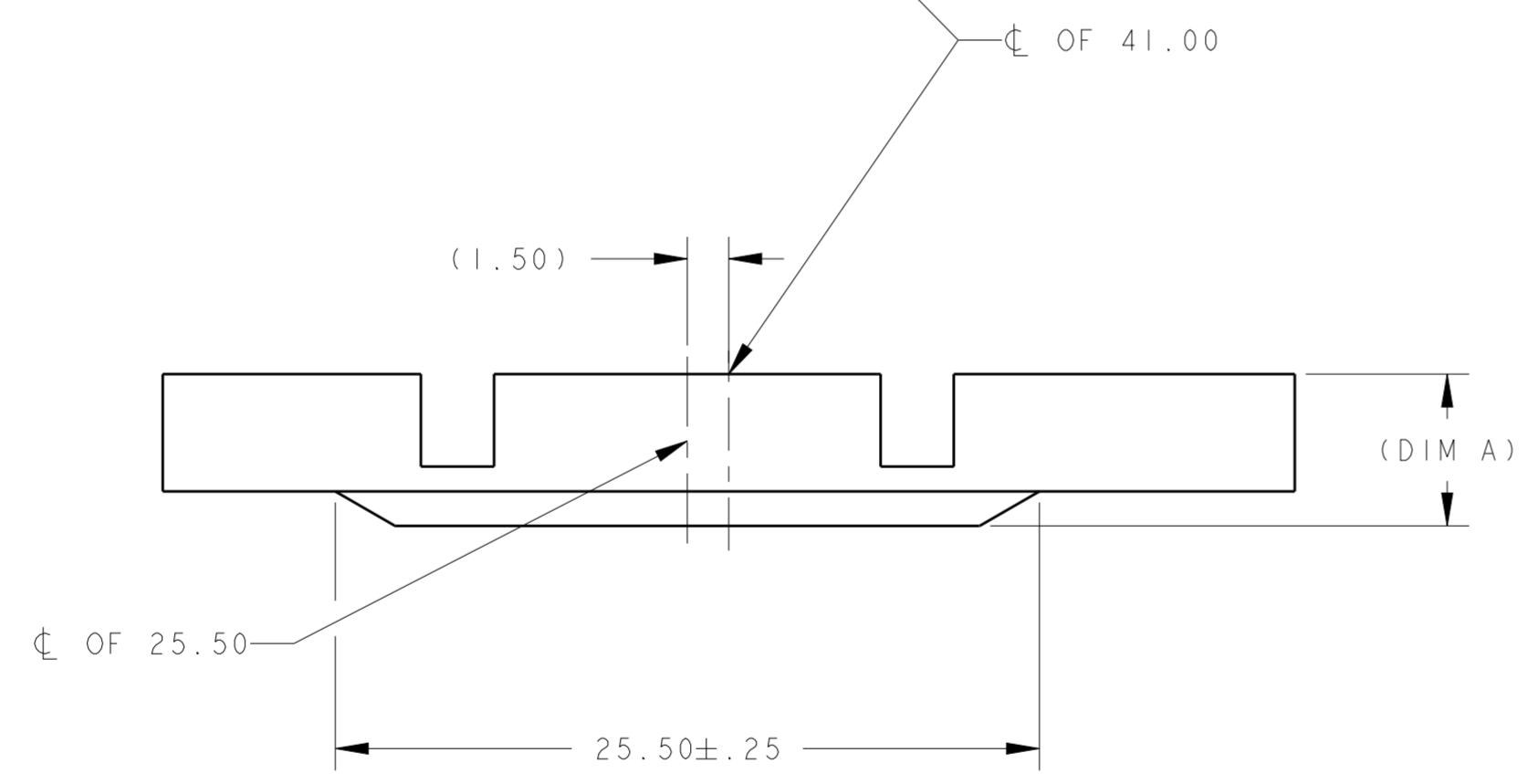
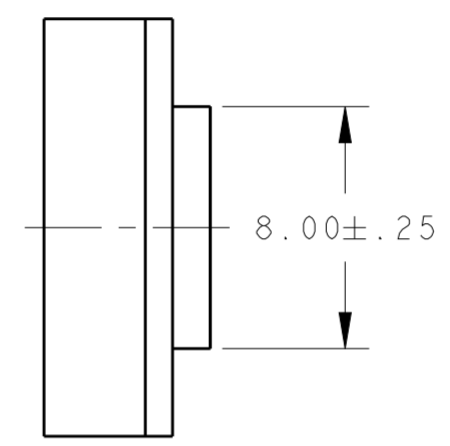
THIS DRAWING IS UNPUBLISHED. RELEASED FOR PUBLICATION 2011
 © COPYRIGHT 2011 ALL RIGHTS RESERVED.

LOC	DIST	REVISIONS			
P	LTR	DESCRIPTION	DATE	DWN	APVD
	A	ADD PN -8	30MAR2020	IT	SH
	AI	REMOVE PRELIMINARY MARK	22JUN2020	IT	SH



NOTES: UNLESS OTHERWISE SPECIFIED:
 1. INTERPRET DRAWING PER ASME Y14.5M - 1994.
 2. FINISH: BLACK ANODIZE

△ CUSTOMIZED HEATSINK.



SCALE 4.000

△	5.50	2170619-8
	12.55	2170619-6
	14.10	2170619-4
	5.50	2170619-2
	DIM A	PART NUMBER

THIS DRAWING IS A CONTROLLED DOCUMENT.		DWN JASON ZHU 140TC2013	STE TE Connectivity	
DIMENSIONS: mm		CHK SEAN HAN 140TC2013		
TOLERANCES UNLESS OTHERWISE SPECIFIED:		APVD SEAN HAN 140TC2013	NAME SFP+ APPLICATION HEATSINK	
0 PLC ±0.25		PRODUCT SPEC -	SIZE A2	
1 PLC ±0.25		APPLICATION SPEC -	CAGE CODE -	
2 PLC ±0.25		WEIGHT -	DRAWING NO. C-2170619	
3 PLC ±0.25		CUSTOMER DRAWING	RESTRICTED TO -	
4 PLC ±0.25			SCALE 3.000 SHEET 1 OF 1 REV A1	
ANGLES ±2°				
FINISH BLACK ANODIZE				