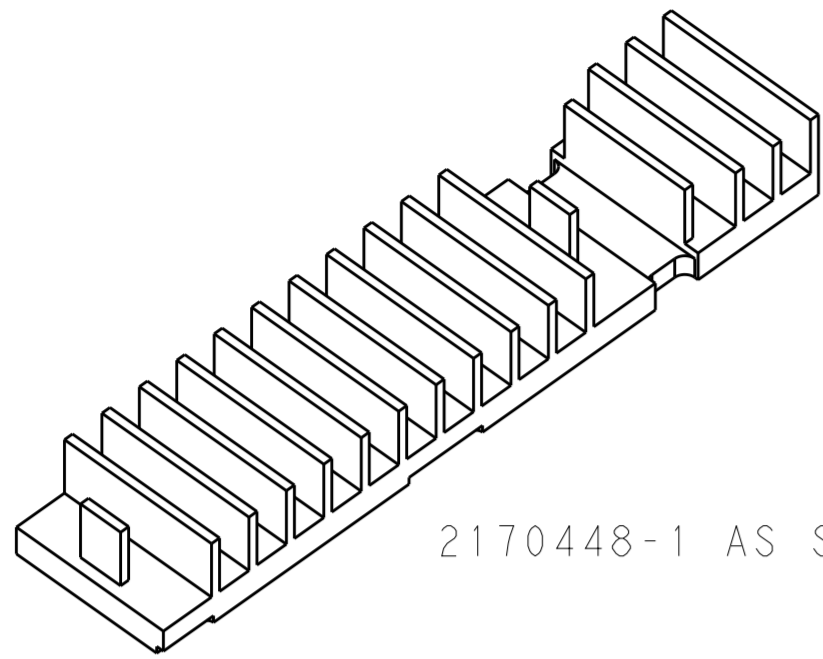
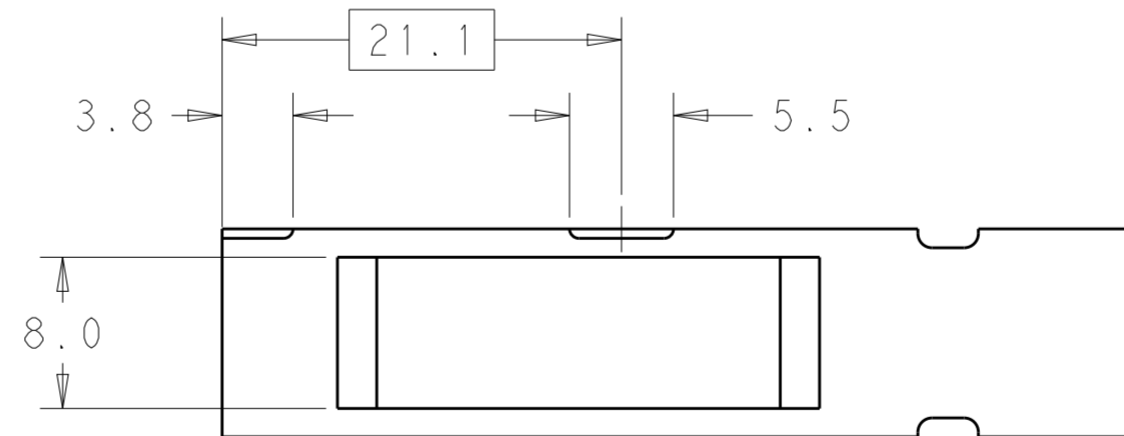
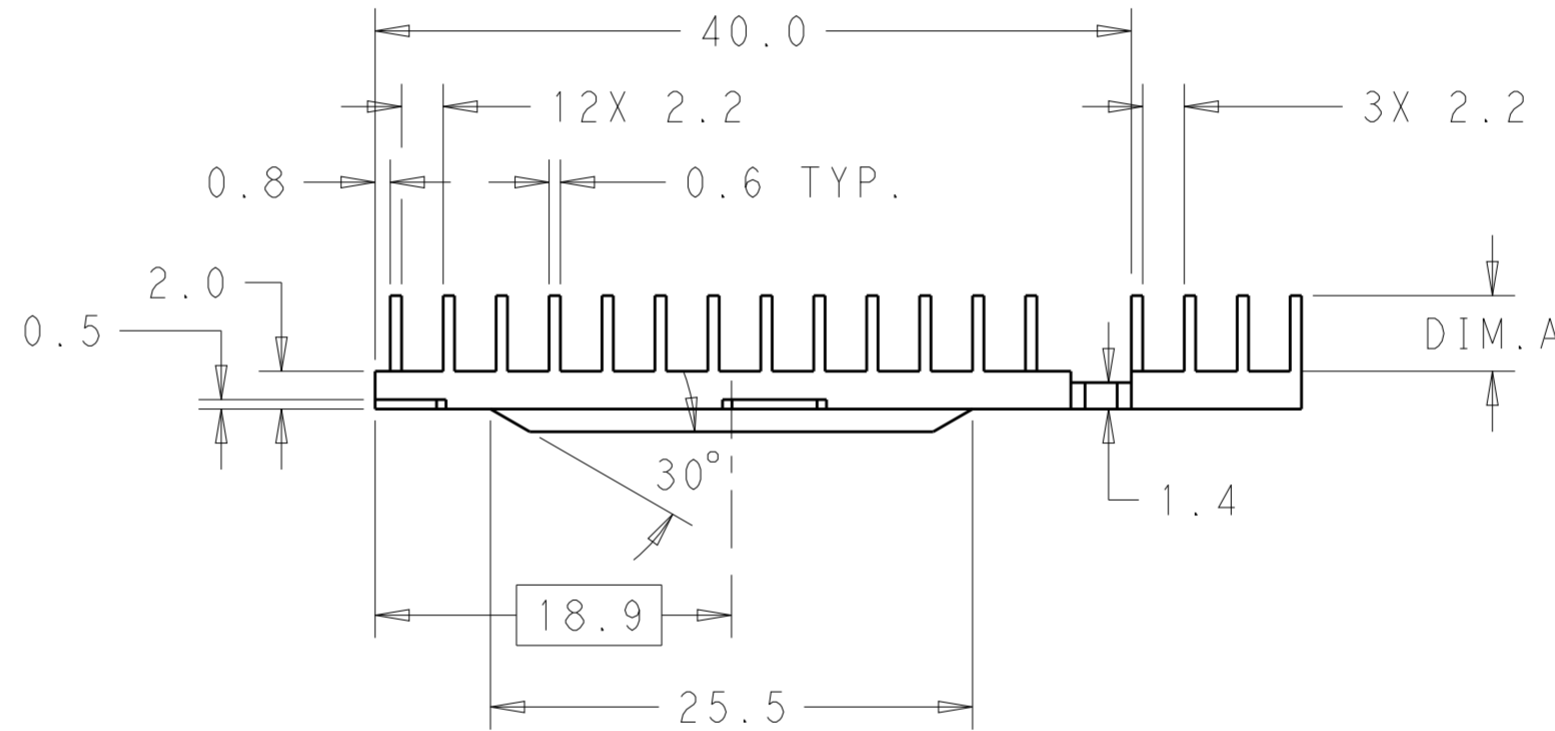
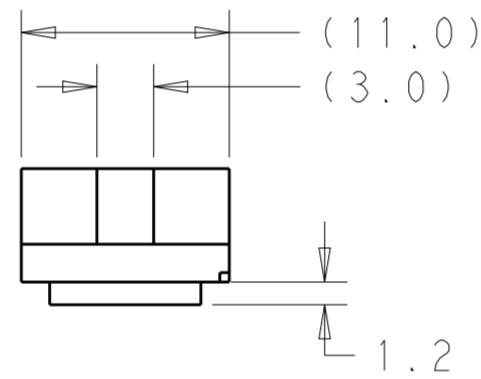
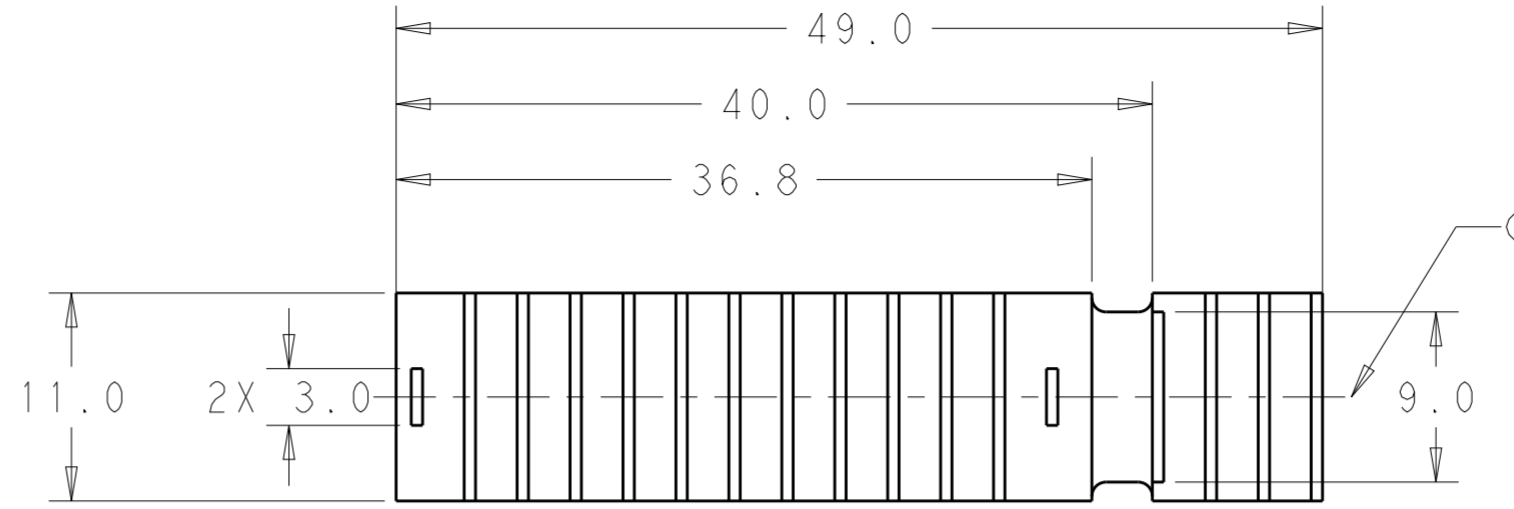


THIS DRAWING IS UNPUBLISHED. RELEASED FOR PUBLICATION
 © COPYRIGHT copyright.d8te- ALL RIGHTS RESERVED.

| LOC | DIST | REVISIONS | | | | | |
|-----|------|-----------|-----|-------------|-----------|-----|------|
| GP | 00 | P | LTR | DESCRIPTION | DATE | DWN | APVD |
| | | | A | RELEASE | 24DEC2015 | JW | SH |



2170448-1 AS SHOWN



NOTES:

UNLESS OTHERWISE SPECIFIED

- 1 MATERIAL: ALUMINUM PER TE 100-363-1
- 2 FINISH: HARD ANODIC COAT PER TEC-112-151-8
40.64um MIN THICK
- 3. 0.2mm MAX BURR.
- 4. VARIATION IN PLATING COLOR IS NORMAL AND ALLOWED.
- 5. RoHS COMPLIANT AND CERTIFIED.

| | |
|-------|-------------|
| 8.0 | 2170448-3 |
| 6.0 | 2170448-2 |
| 4.0 | 2170448-1 |
| DIM.A | PART NUMBER |

| | | | | |
|--|--|---|---|--|
| THIS DRAWING IS A CONTROLLED DOCUMENT. | | DWN TIM XUE 06NOV2012 | TE Connectivity | |
| DIMENSIONS: mm | | CHK ALEX CAI 06NOV2012 | | |
| TOLERANCES UNLESS OTHERWISE SPECIFIED: | | APVD ALEX CAI 06NOV2012 | NAME HEATSINK SFP+ 1xN GANGED CAGES | |
| 0 PLC ±- | | PRODUCT SPEC | - | |
| 1 PLC ±.25 | | APPLICATION SPEC | - | |
| 2 PLC ±.20 | | WEIGHT | - | |
| 3 PLC ±.15 | | SIZE CAGE CODE DRAWING NO RESTRICTED TO | | |
| 4 PLC ±0.1 | | A200779 C-2170448 | | |
| ANGLES ±2° | | SCALE 4:1 SHEET 1 OF 1 REV A | | |
| FINISH | | CUSTOMER DRAWING | | |