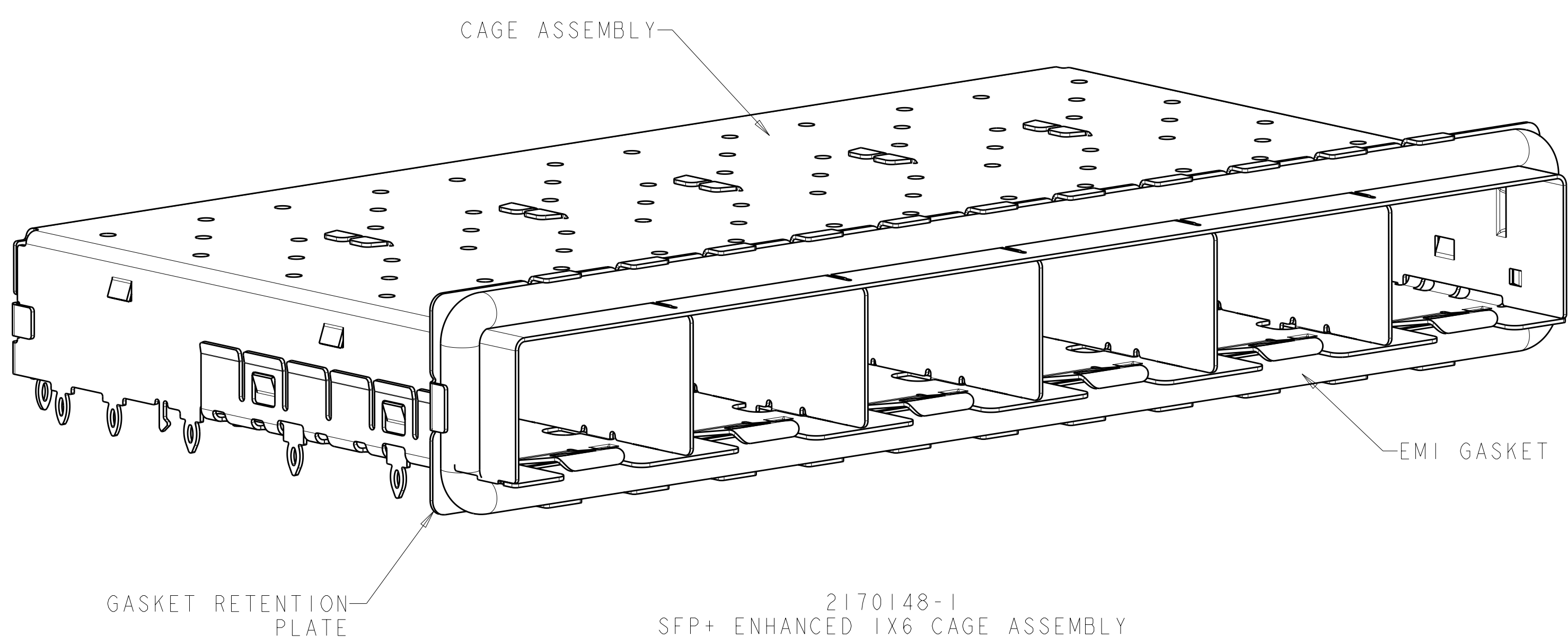
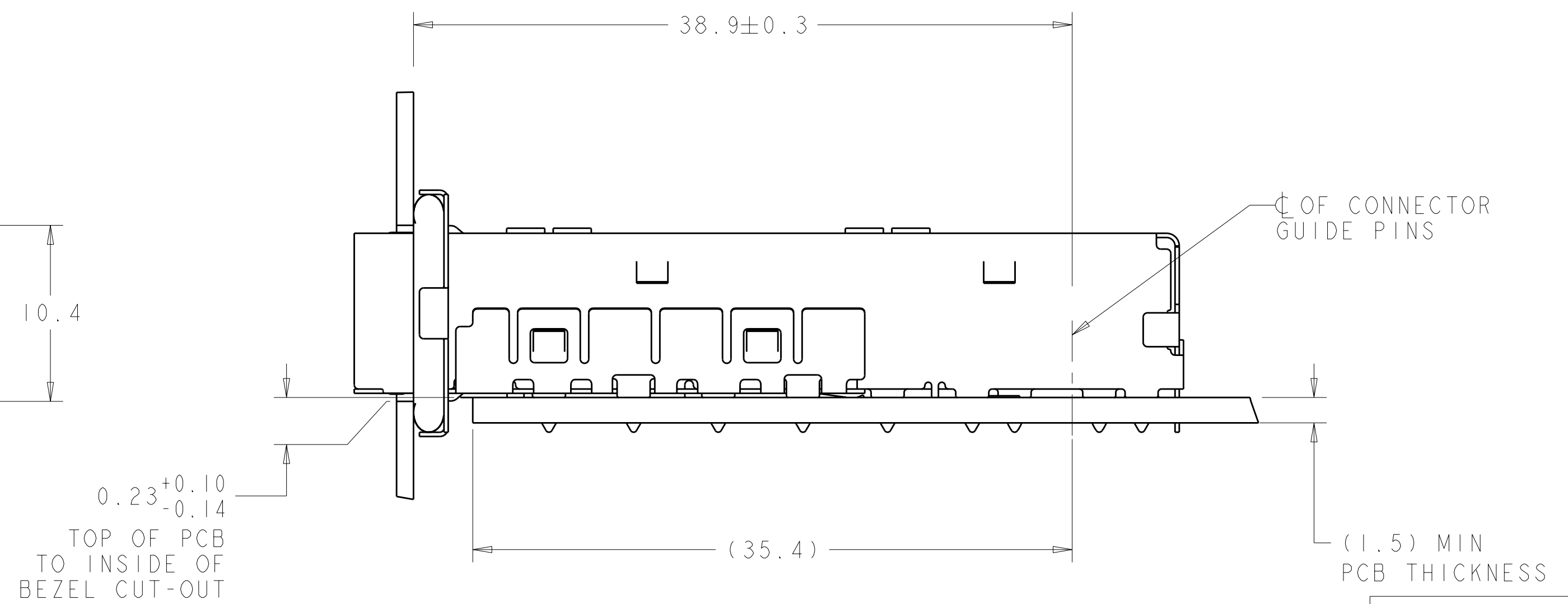
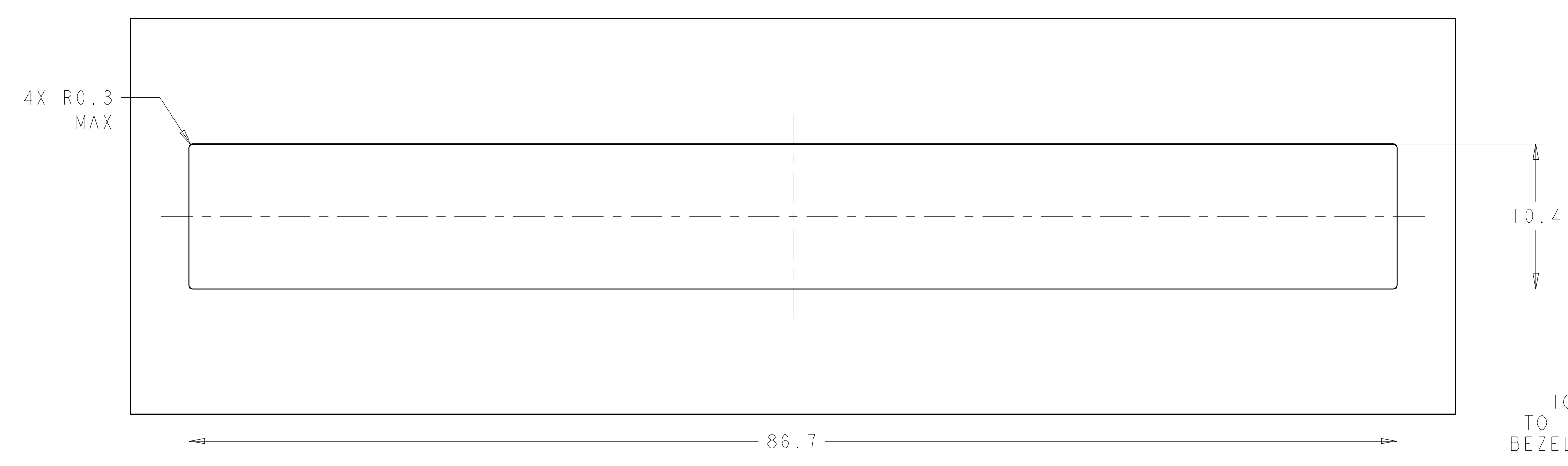
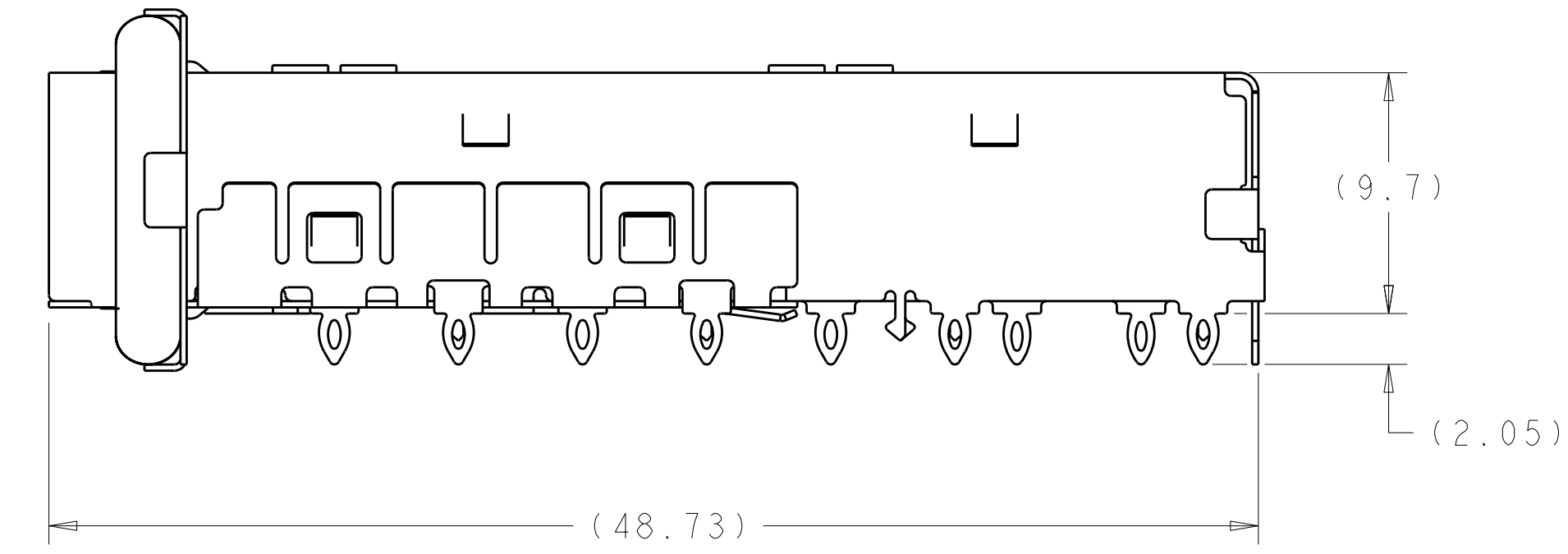
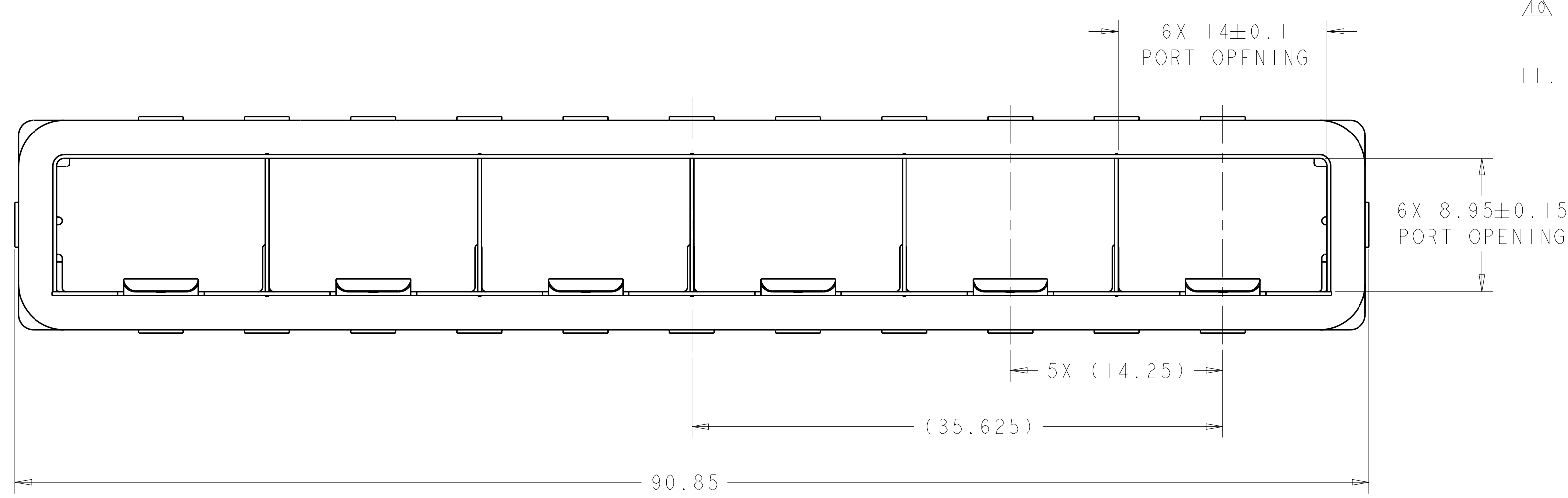


LOC	DIST	REV	DATE	BY	CHKD	APVD
GP	00	1	06DEC2011	TX	AC	



- 1. MATERIAL:
CAGE ASSEMBLY: NICKEL-SILVER ALLOY, 0.25mm THK
GASKET RETENTION PLATE: STAINLESS STEEL
GASKET: PLATED FILLED SILICONE
- 2. DATUM AND BASIC DIMENSION ESTABLISHED BY CUSTOMER.
- 3. MATES WITH SFP MSA COMPLIANT TRANSCEIVERS.
- 4. PADS AND VIAS CHASSIS GROUND.
- 5. INTERPRETATION OF DATUM REFERENCE FRAME IN ACCORDANCE WITH SECT 4.4.1.1 OF ASME Y14.5M-1994.
- 6. MINIMUM PC BOARD THICKNESS:
SINGLE SIDED = 1.50mm
- 7. HOLE PATTERN REPEATS FOR EACH PORT. SPACING BETWEEN PORTS IS 14.25mm.
- 8. DATUM AND BASIC DIMENSION ESTABLISHED BY CUSTOMER
- 9. REFERENCE APPLICATION SPEC. 114-13120, HOLE A, FOR RECOMMENDED DRILL HOLE DIAMETER AND PLATING THICKNESS.
- 10. REFERENCE APPLICATION SPEC. 114-13120, HOLE B, FOR RECOMMENDED DRILL HOLE DIAMETER AND PLATING THICKNESS.
- 11. PRODUCT HAS NOT PASSED QUALIFICATION TESTING.



RECOMMENDED BEZEL CUT-OUT SINGLE SIDED APPLICATIONS

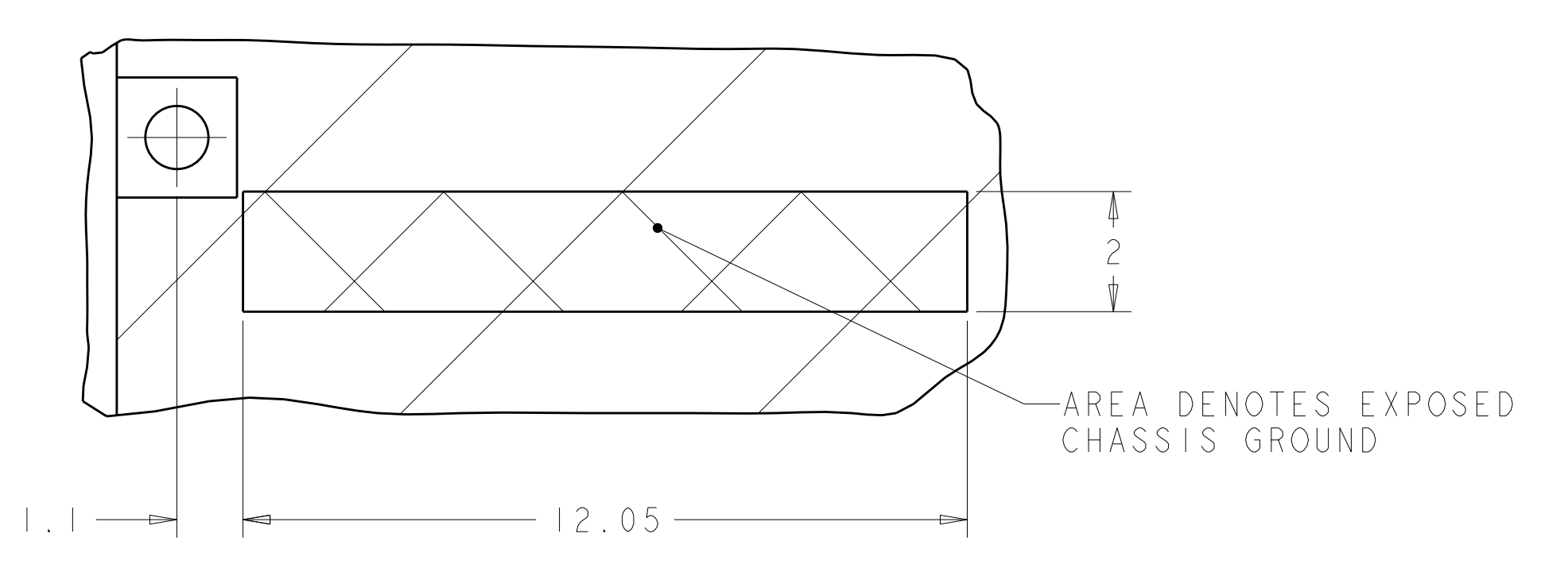
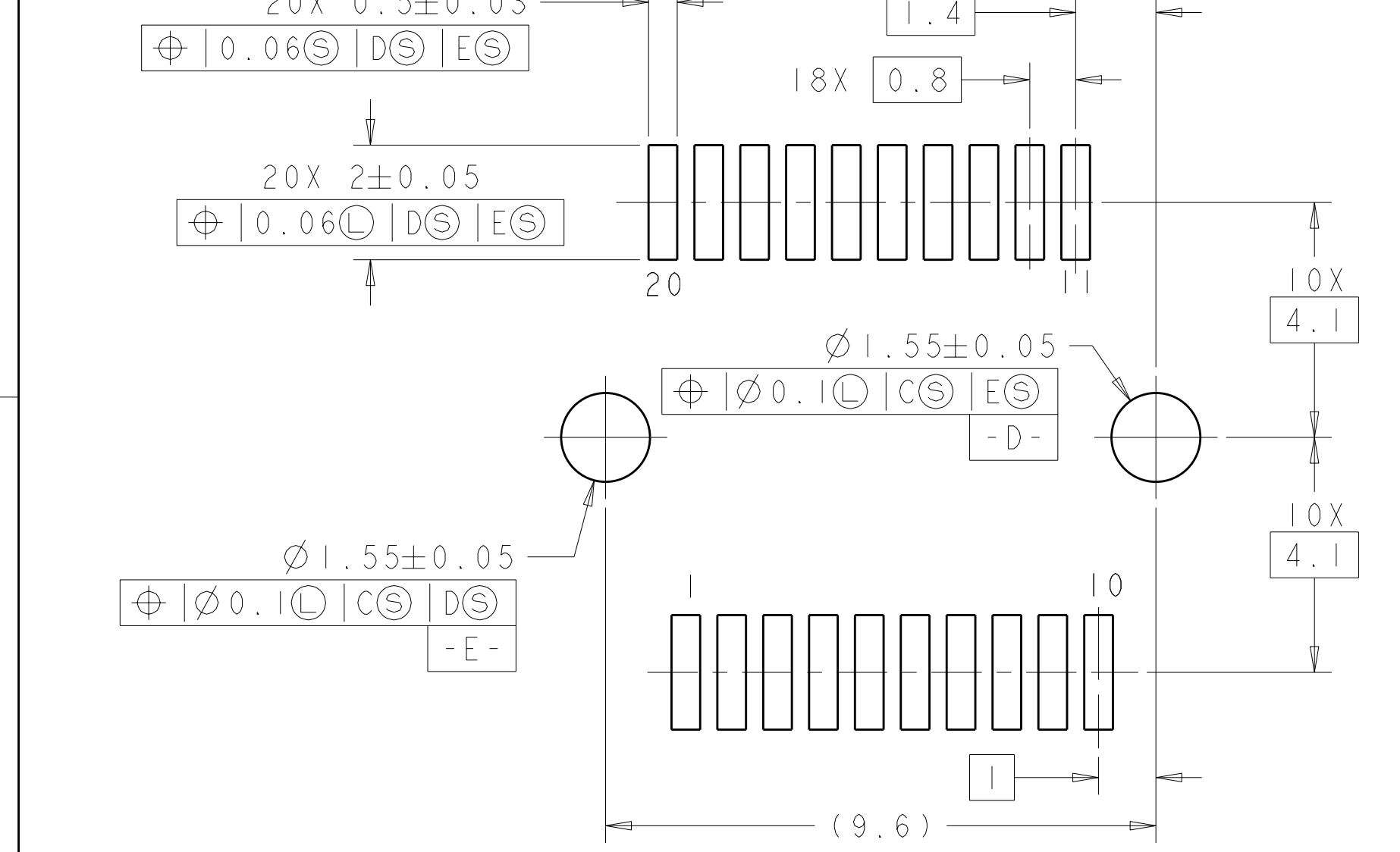
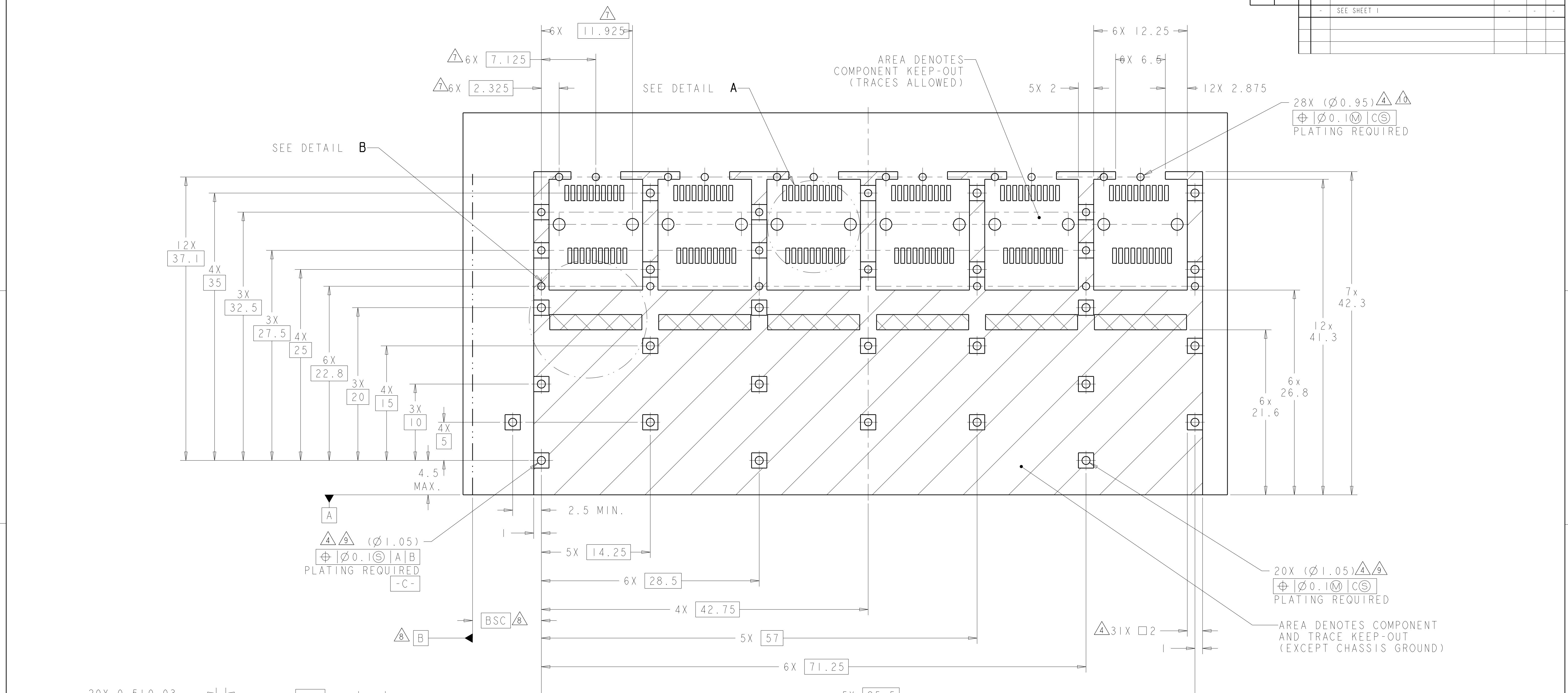
THIS PRINT IS
PRELIMINARY
UNQUALIFIED PRODUCT
CONTACT PRODUCT ENGINEERING
BEFORE USING THIS PRINT

2170148-1
MOUNTED ON PC BOARD
SHOWN THRU RECOMMENDED BEZEL

THIS DRAWING IS A CONTROLLED DOCUMENT.		DATE: 06DEC2011	REV: 00
DIMENSIONS: mm		CHK: ALEX CAI	APVD: ALEX CAI
TOLERANCES UNLESS OTHERWISE SPECIFIED:		PRODUCT SPEC: 108-2364	APPLICATION SPEC: 114-13120
MATERIAL:		WEIGHT: -	CUSTOMER DRAWING

2170148-1	PART NUMBER
TE Connectivity SFP+ ENHANCED 1X6 CAGE ASSEMBLY, PRESS-FIT	
SIZE: A100779	DRAWING NO: C=2170148
SCALE: 2:1	SHEET 1 OF 2

LOC	DIST	REV	DATE	BY	APPD
GP	00				



THIS PRINT IS
PRELIMINARY
 UNQUALIFIED PRODUCT
 CONTACT PRODUCT ENGINEERING
 BEFORE USING THIS PRINT

THIS DRAWING IS A CONTROLLED DOCUMENT.		OWN: TIM XUE 06DEC2011	REVISED TO: 108-2364	
DIMENSIONS: mm		CHK: ALEX CAI 06DEC2011	NAME: SFP+ ENHANCED 1X6 CAGE ASSEMBLY, PRESS-FIT	
TOLERANCES UNLESS OTHERWISE SPECIFIED:		APPD: ALEX CAI 06DEC2011	SIZE: CAGE CODE DRAWING NO. RESTRICTED TO	
9 PLC ±0.1		PRODUCT SPEC	A100779C=2170148	
1 PLC ±0.1		APPLICATION SPEC	SCALE 2:1 SHEET 2 OF 2 REV 1	
3 PLC ±0.1		114-13120		
4 PLC ±0.1		WEIGHT		
ANGLES ±1°		CUSTOMER DRAWING		