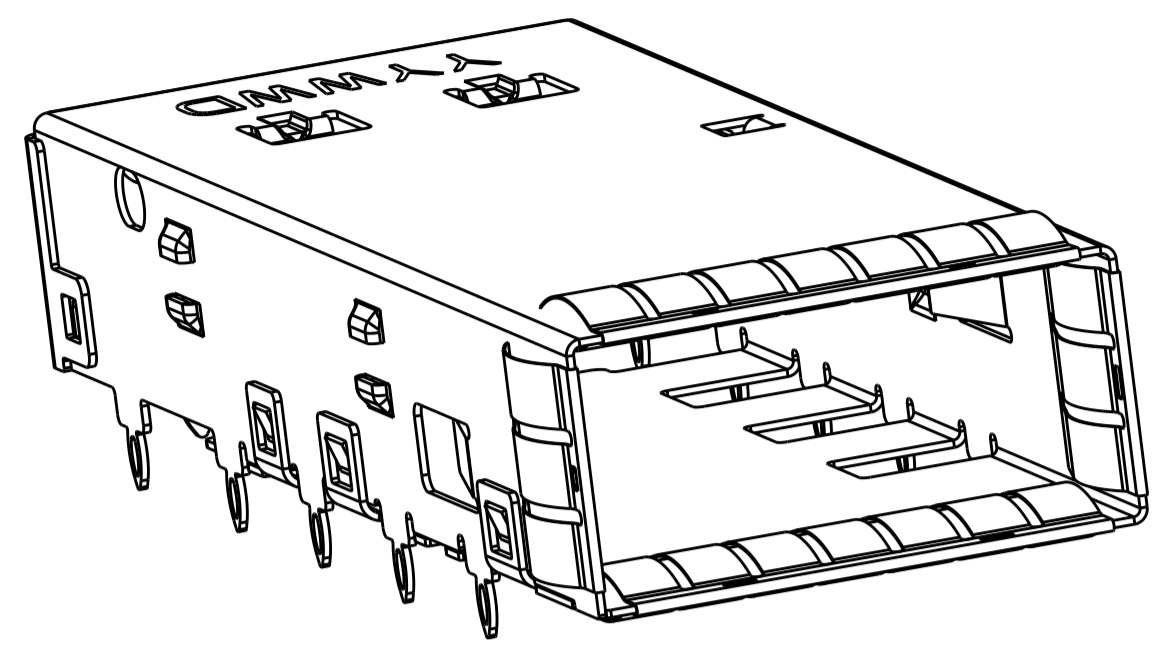
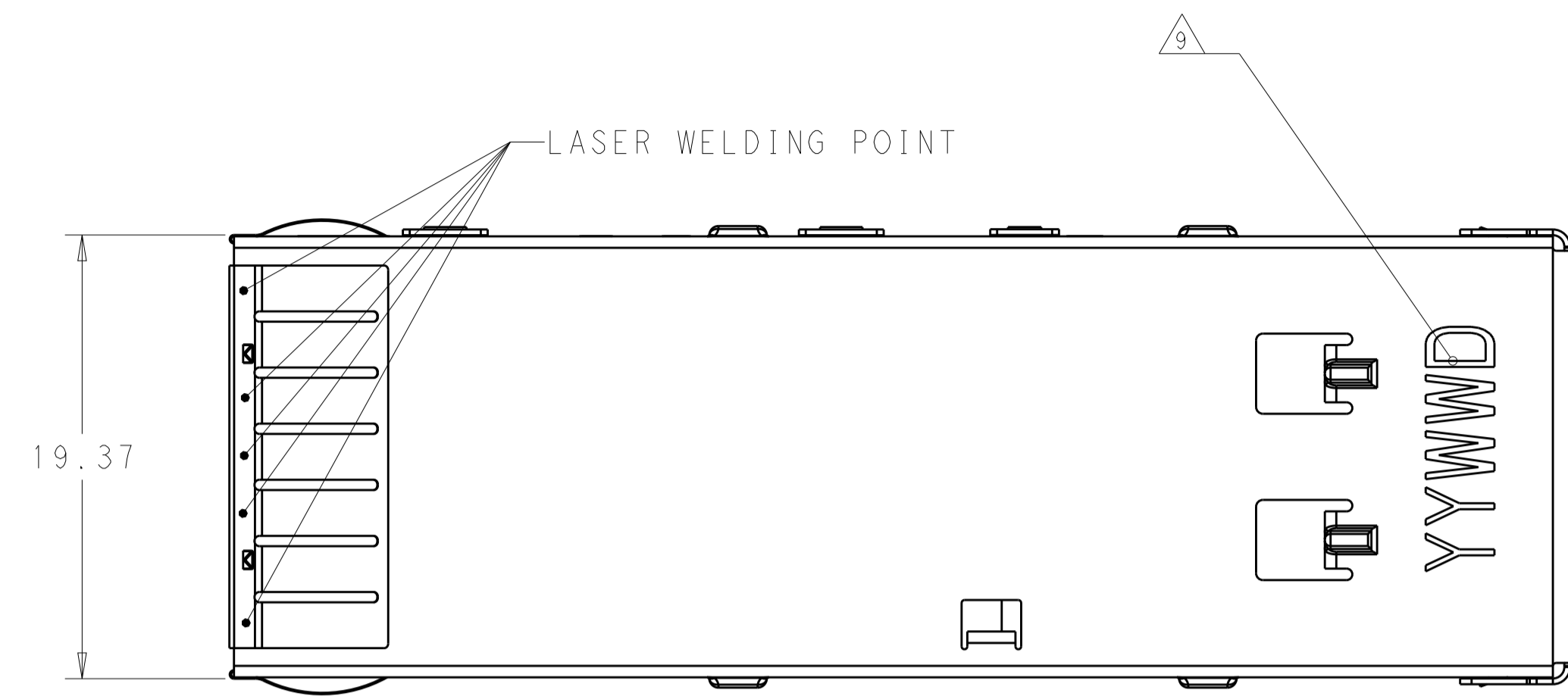


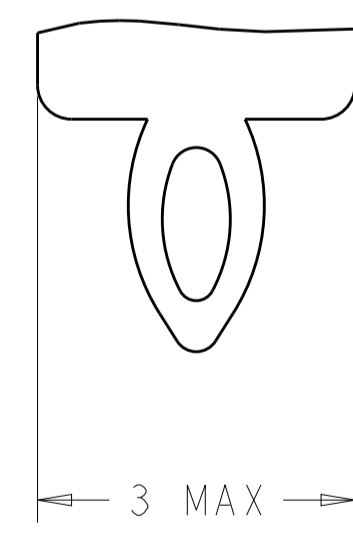
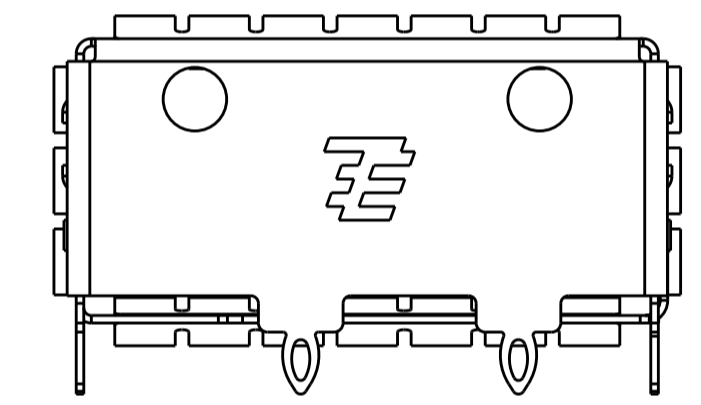
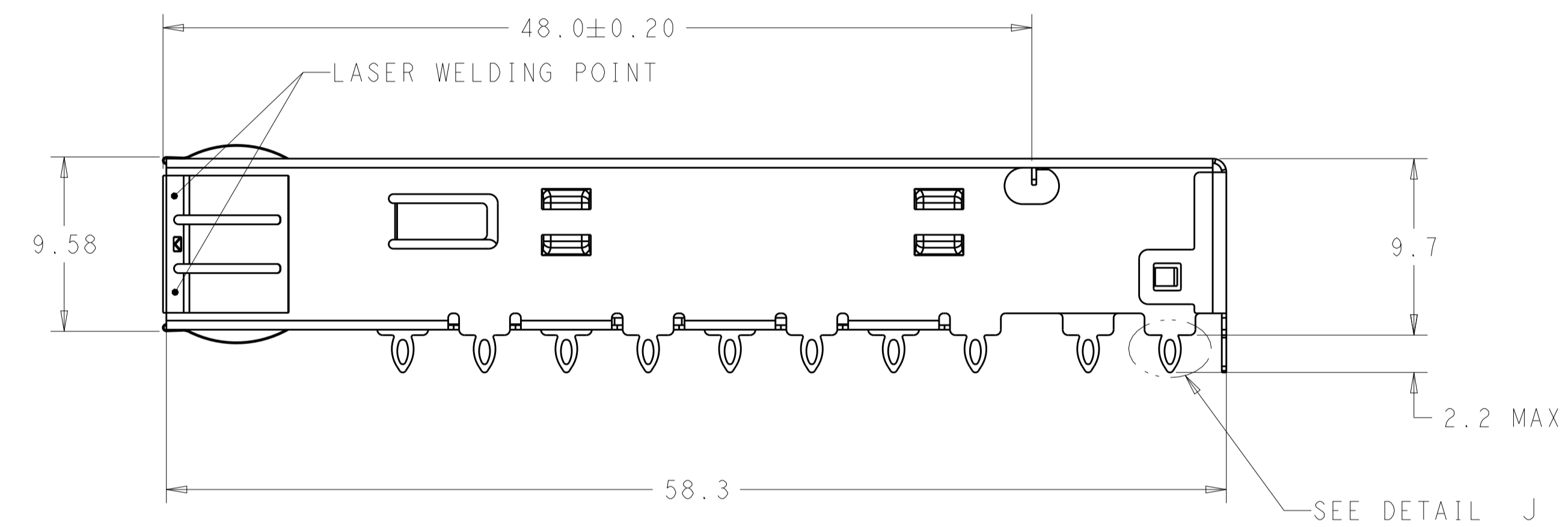
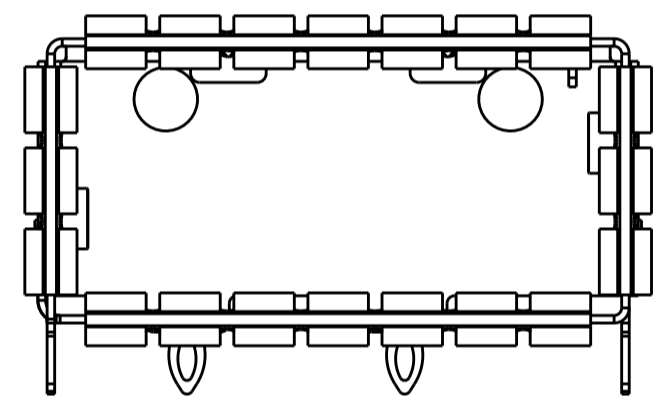
REVISIONS				
P.	LTN	DESCRIPTION	DATE	APVD
A		REVISE PER ECO-15-015356	26OCT2015	RG SH
B		REVISE PER ECO-17-006795	11MAY2017	RG SH
C		REVISED PER ECO-18-018915	10DEC2018	TX SH



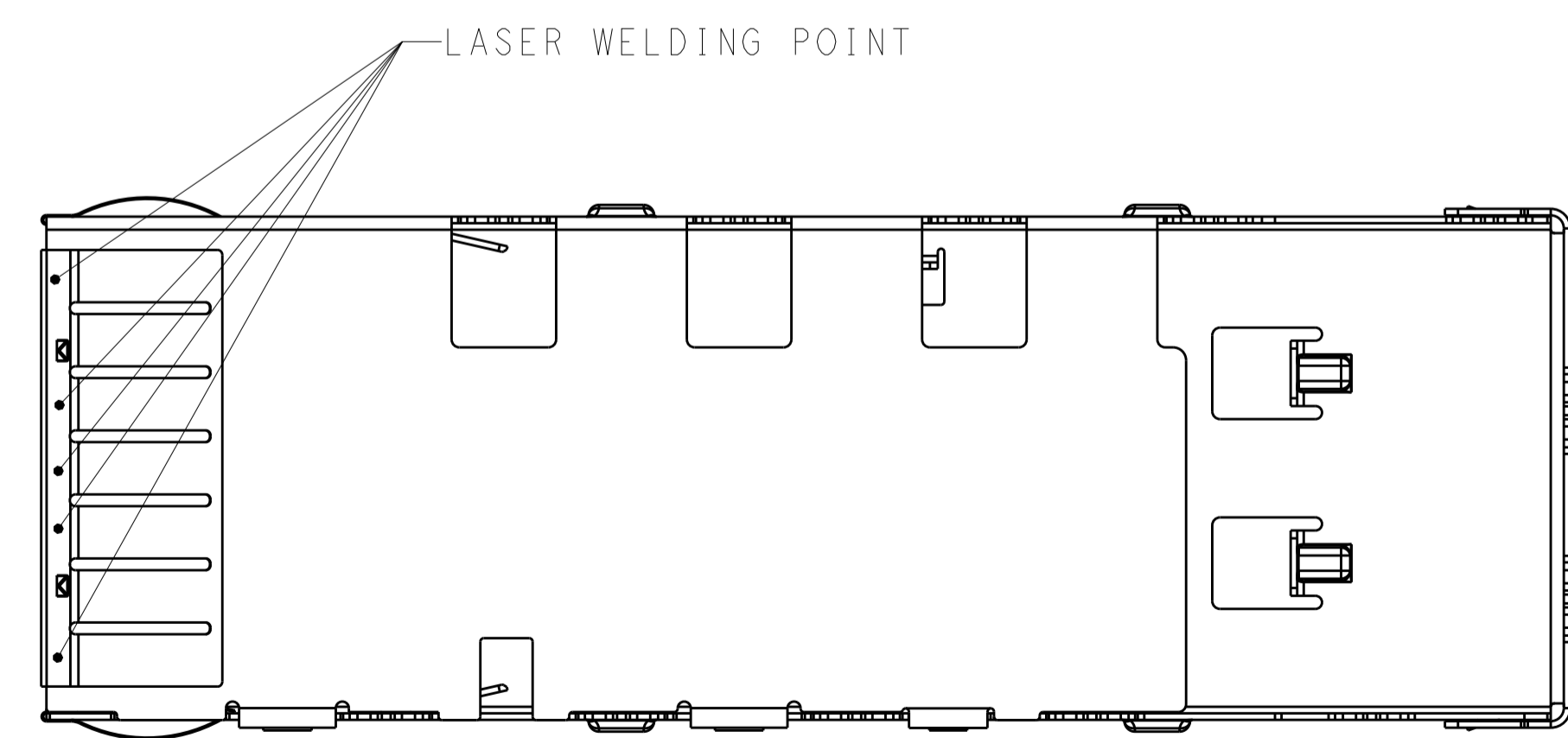
ISOMETRIC VIEW
SCALE 4:1



- △ CAGE MATERIAL : 0.25 mm THICK NICKEL SILVER.
SPRING MATERIAL: COPPER ALLOY, NICKEL PLATING.
- △ MINIMUM PITCH DIMENSION
- 3. MATES WITH QSFP MSA COMPATIBLE TRANSCEIVER.
- △ REFERENCE APPLICATION SPEC 114-13217 FOR RECOMMENDED DRILL HOLE DIAMETER AND PLATING THICKNESS.
- △ DATUM AND BASIC DIMENSIONS ESTABLISHED BY CUSTOMERS.
- 6. MINIMUM PC BOARD THICKNESS :
SINGLES SIDED: 1.45 MIN
DOUBLE SIDED: 2.2 MIN
- △ DATUM -A- IS TOP SURFACE OF THE HOST BOARD.
- △ SURFACE TRACES PERMITTED WITHIN THIS AREA EXCEPT WHERE CAGE STANDOFFS, SHOWN IN DETAIL J, CONTACT PC BOARD.
- △ DATE CODE (YYWWDD) MARKED APPROXIMATELY AS SHOWN



DETAIL J
SCALE 15:1

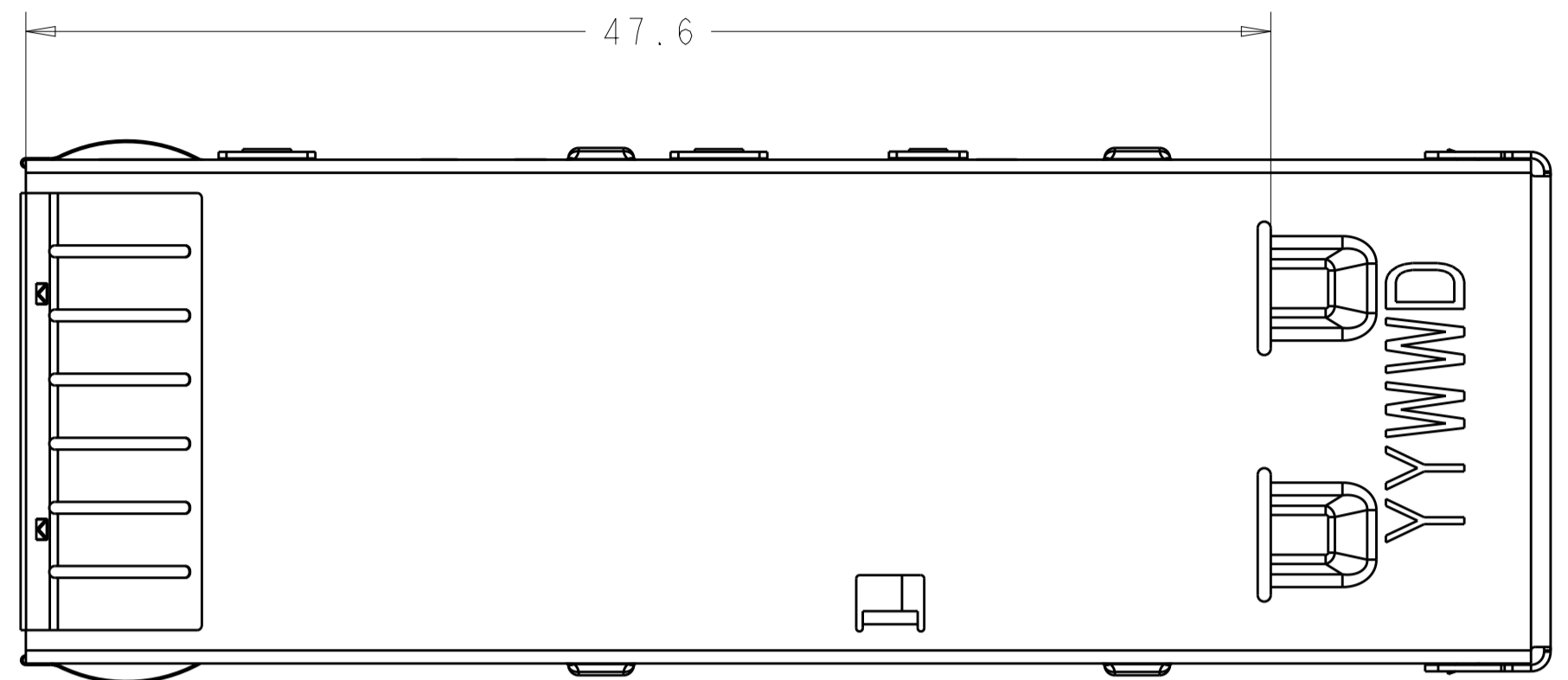


1-2170011-1
2170011-1
PART NUMBER

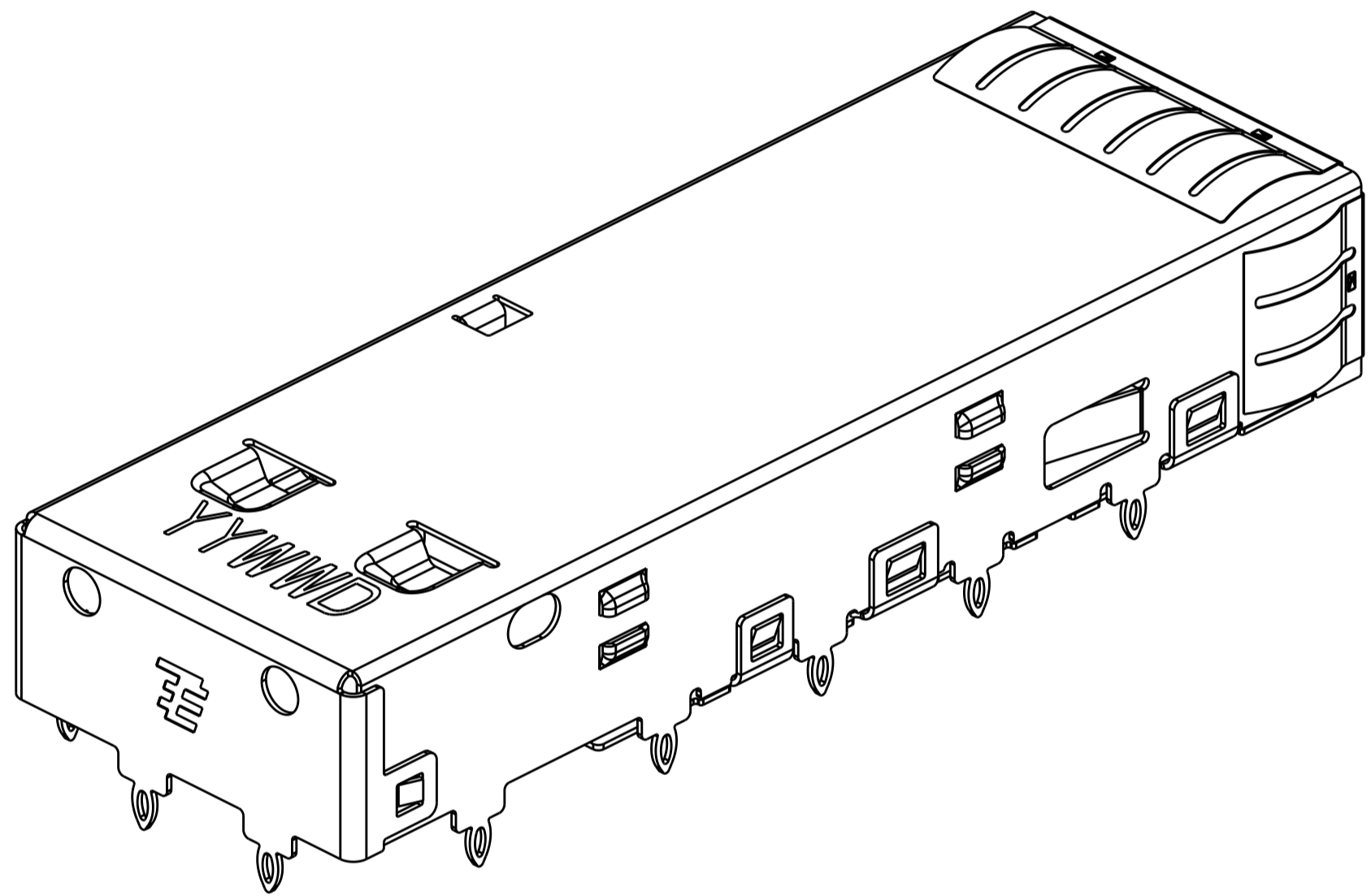
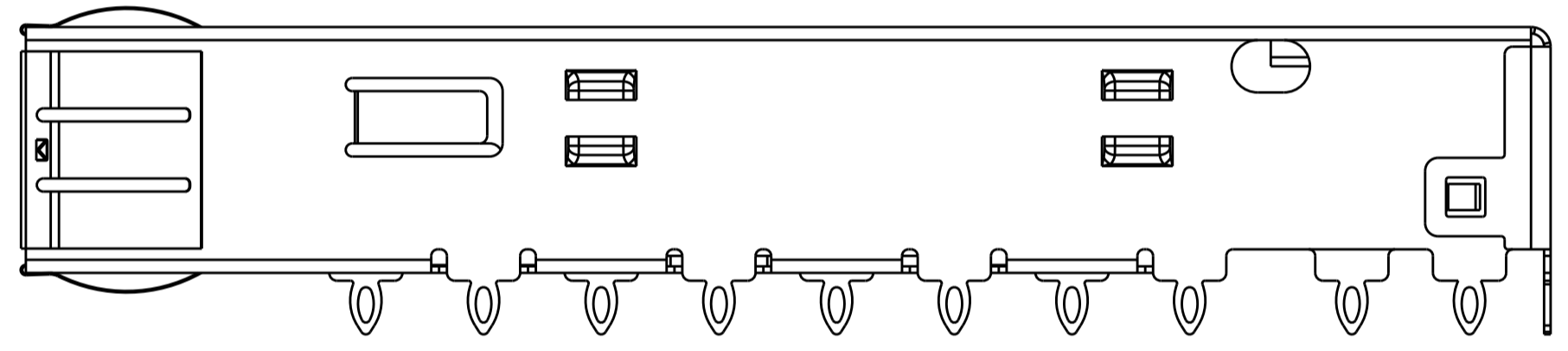
THIS DRAWING IS A CONTROLLED DOCUMENT.		OWN A. LIU 13JAN2011	APVD C. WANG 13JAN2011	
DIMENSIONS:		CHK D. ZHU 13JAN2011	NAME QSFP 1X1 CAGE ASSEMBLY, THRU BEZEL	
mm	TOLERANCES UNLESS OTHERWISE SPECIFIED:	PRODUCT SPEC 108-2286	RESTRICTED TO	
	0 PLC ±	APPLICATION SPEC 114-13217	SIZE A1	CAGE CODE C=2170011
	1 PLC ±0.30	WEIGHT	SCALE 4:1	SHEET 1 OF 4
	2 PLC ±0.25	Customer Drawing	REV C	
	3 PLC ±			
	4 PLC ±			
	ANGLES ±			
MATERIAL	FINISH			

REVISIONS				
P.	LTN	DESCRIPTION	DATE	APVD
-	-	SEE SHEET 1	-	-

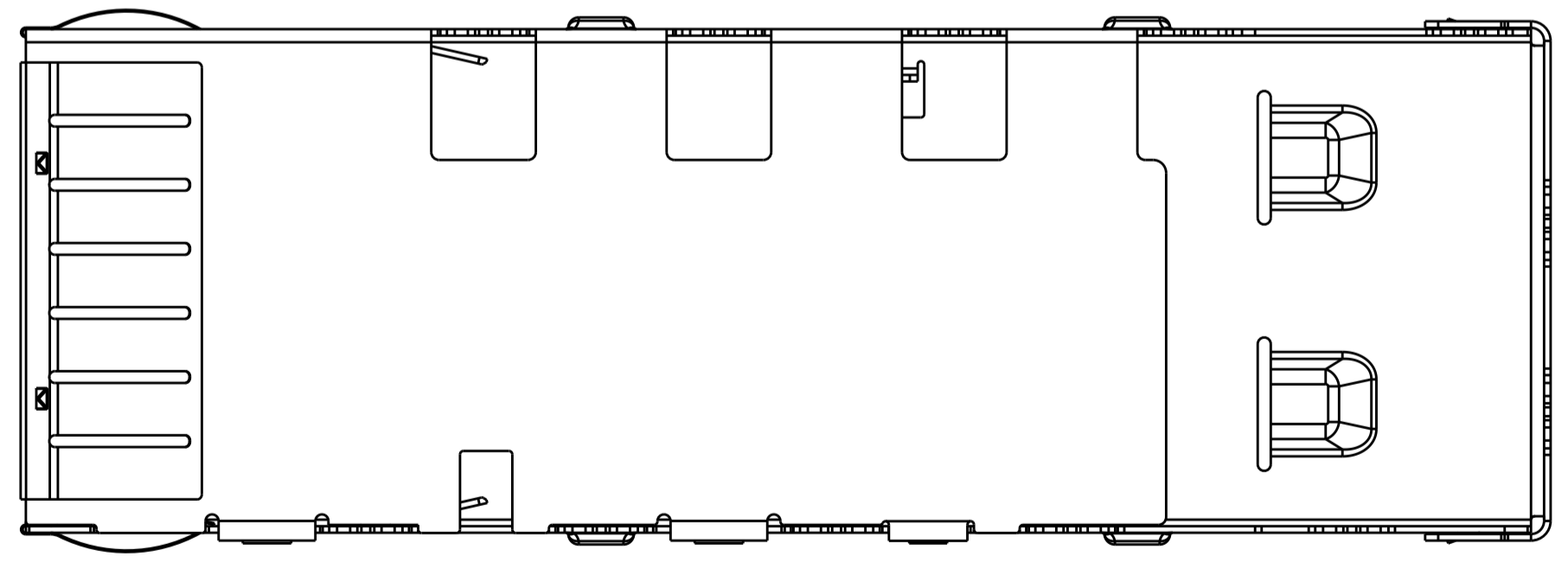
1-2170011-1 BE SAME TO 2170011-1 EXCEPT STOP FEATURE AS SHOWN




1-2170011-1
SCALE 4:1

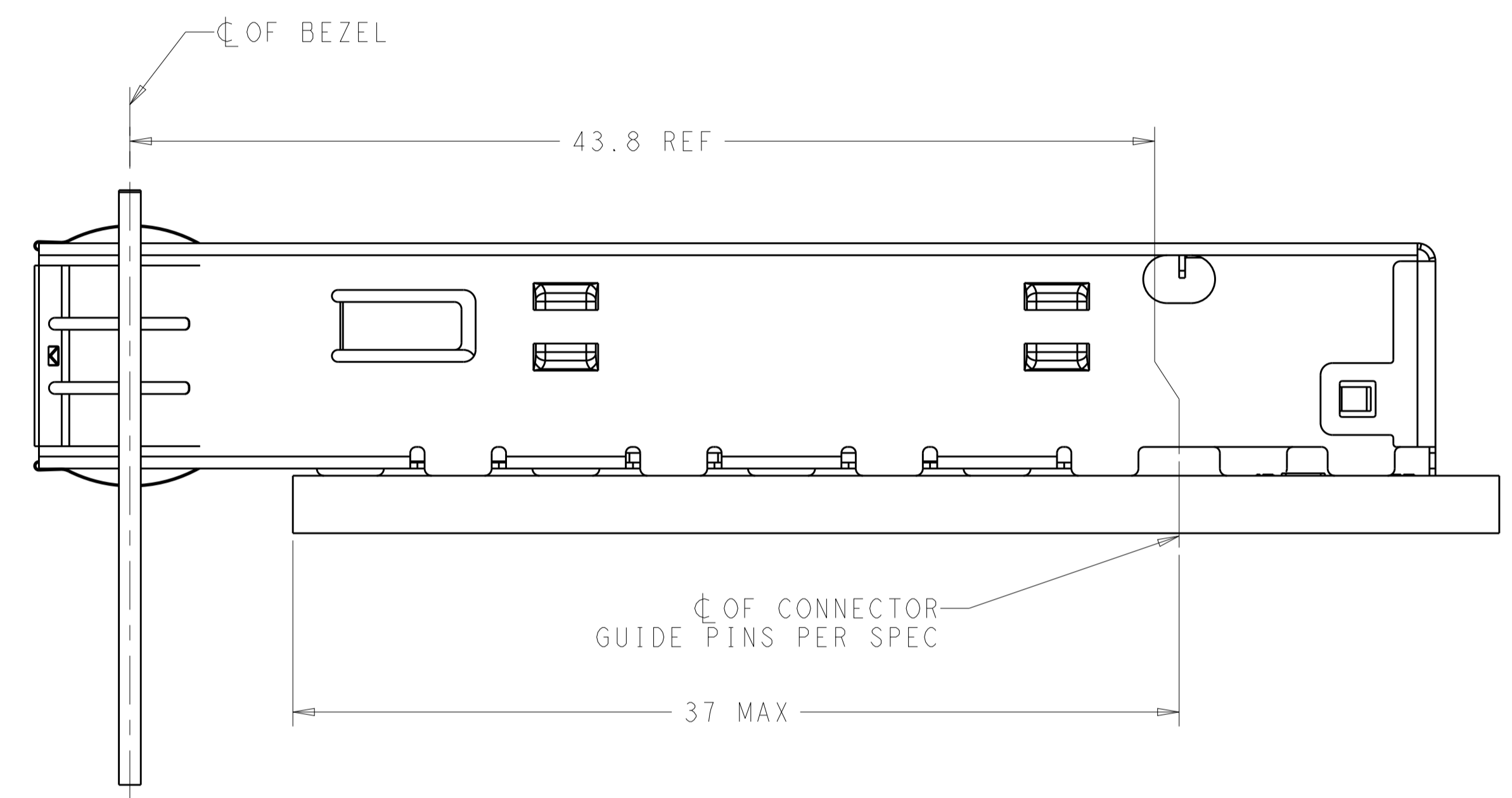
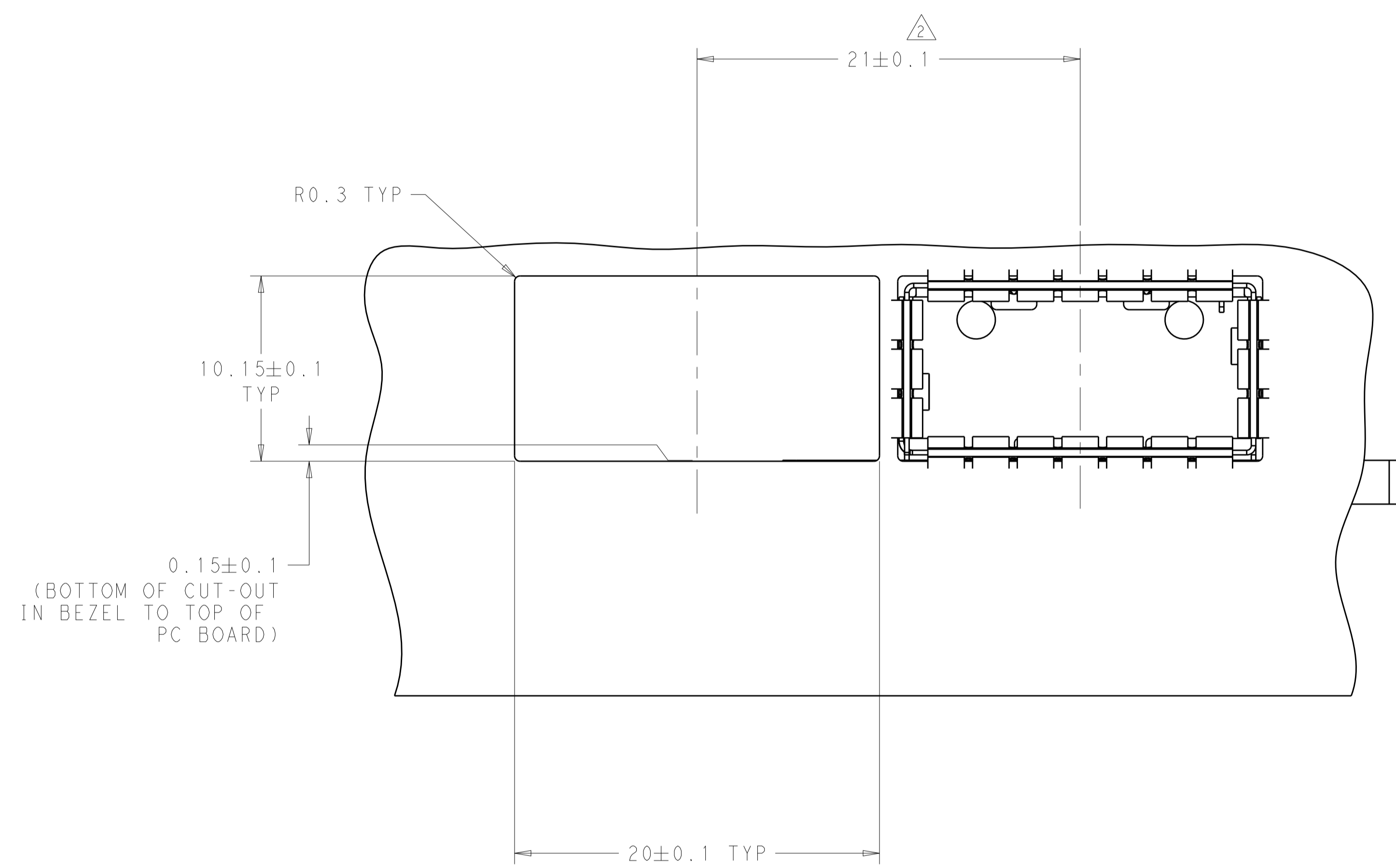


1-2170011-1
SCALE 4:1



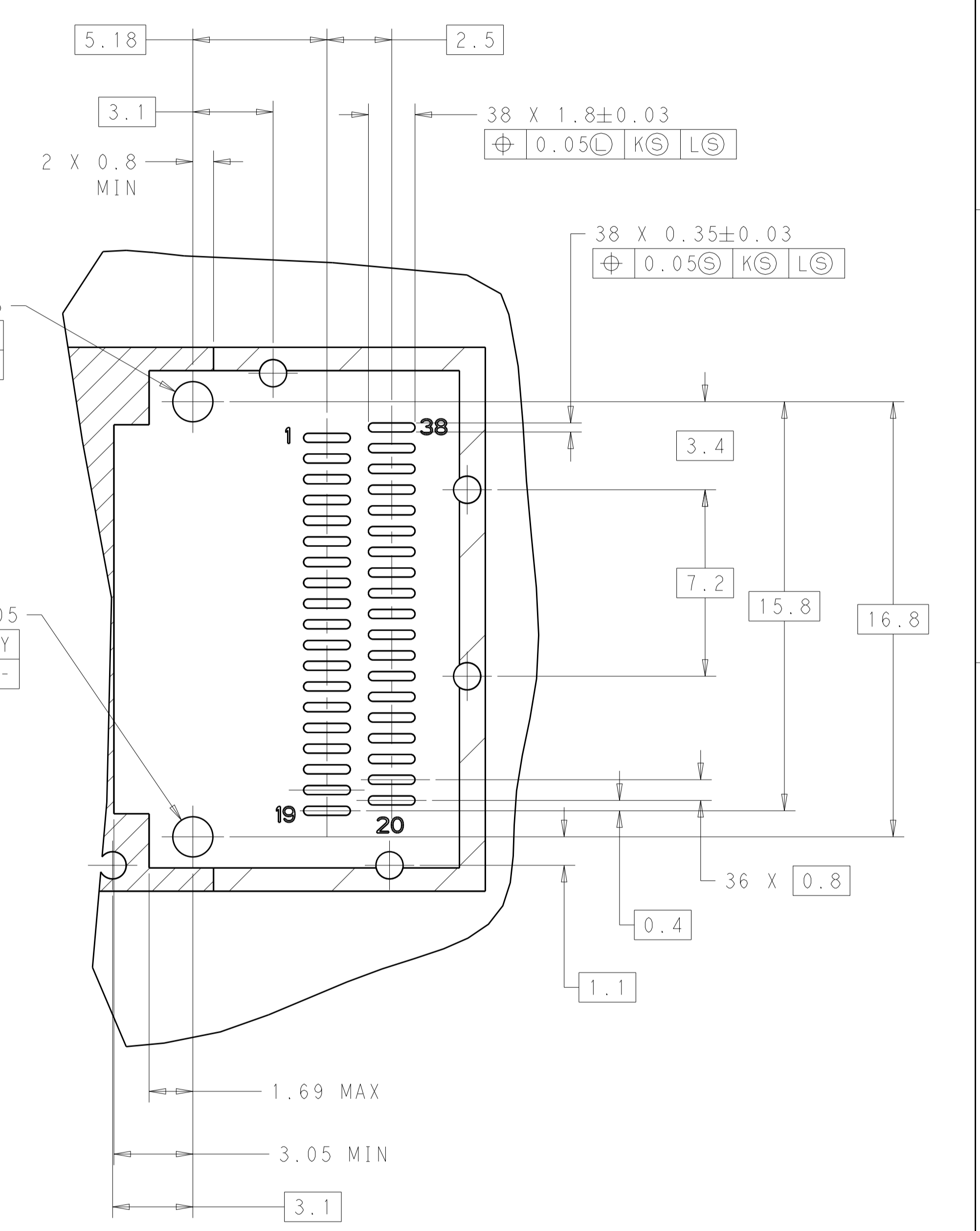
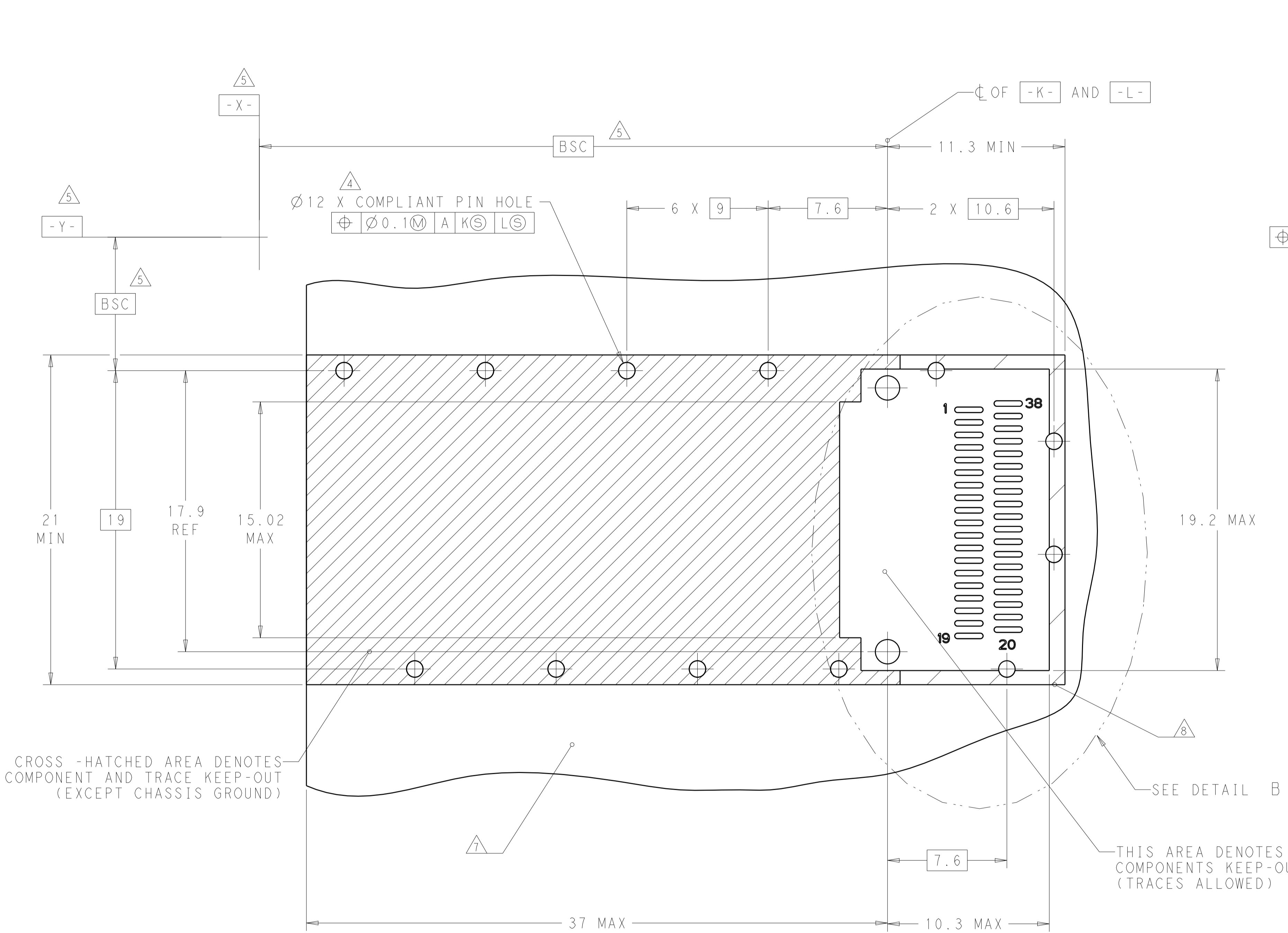
THIS DRAWING IS A CONTROLLED DOCUMENT.		DWN A. LIU 13JAN2011	 TE Connectivity
DIMENSIONS: mm		CHK D. ZHU 13JAN2011	
TOLERANCES UNLESS OTHERWISE SPECIFIED:		APVD C. WANG 13JAN2011	NAME QSFP 1X1 CAGE ASSEMBLY, THRU BEZEL
0 PLC ±	1 PLC ±0.30	PRODUCT SPEC	SIZE
2 PLC ±0.25	3 PLC ±	108-2286	CAGE CODE
4 PLC ±	ANGLES ±	APPLICATION SPEC	DRAWING NO
MATERIAL	FINISH	114-13217	RESTRICTED TO
-	-	WEIGHT	A1
-	-	Customer Drawing	SCALE 4:1 SHEET 2 OF 4 REV C

REVISIONS				
P.	LTN	DESCRIPTION	DATE	APVD
-	-	SEE SHEET 1	-	-



THIS DRAWING IS A CONTROLLED DOCUMENT.		DWN A. LIU 13JAN2011	TE Connectivity
DIMENSIONS: mm		CHK D. ZHU 13JAN2011	
TOLERANCES UNLESS OTHERWISE SPECIFIED:		APVD C. WANG 13JAN2011	NAME QSPF 1X1 CAGE ASSEMBLY, THRU BEZEL
0 PLC ±	1 PLC ±0.30	PRODUCT SPEC	SIZE A1
2 PLC ±0.25	3 PLC ±	108-2286	CAGE CODE -
4 PLC ±	ANGLES ±	APPLICATION SPEC	DRAWING NO C=2170011
MATERIAL	FINISH	114-13217	RESTRICTED TO
-	-	WEIGHT	SCALE 4:1
-	-	Customer Drawing	SHEET 3 OF 4
			REV C

REVISIONS				
P.	LTN	DESCRIPTION	DATE	APP'D
-	-	SEE SHEET 1	-	-



DETAIL B
SCALE 7:1

A

A

THIS DRAWING IS A CONTROLLED DOCUMENT.		DWN: A.LIU 13JAN2011	TE Connectivity
DIMENSIONS: mm		CHK: D.ZHU 13JAN2011	
TOLERANCES UNLESS OTHERWISE SPECIFIED:		APP'D: C.WANG 13JAN2011	NAME: QSPF 1X1 CAGE ASSEMBLY, THRU BEZEL
0 PLC ± 0.30	1 PLC ± 0.25	PRODUCT SPEC: 108-2286	SIZE: A1
2 PLC ± 0.25	3 PLC ± 0.25	APPLICATION SPEC: 114-13217	CAGE CODE: -
4 PLC ± 0.25	ANGLES ± 0.25	WEIGHT: -	DRAWING NO: C=2170011
MATERIAL: -	FINISH: -	Customer Drawing	RESTRICTED TO: -
SCALE: 4:1			SHEET: 4 OF 4
REV: C			REV: C