

THIS DRAWING IS UNPUBLISHED.

RELEASED FOR PUBLICATION

20

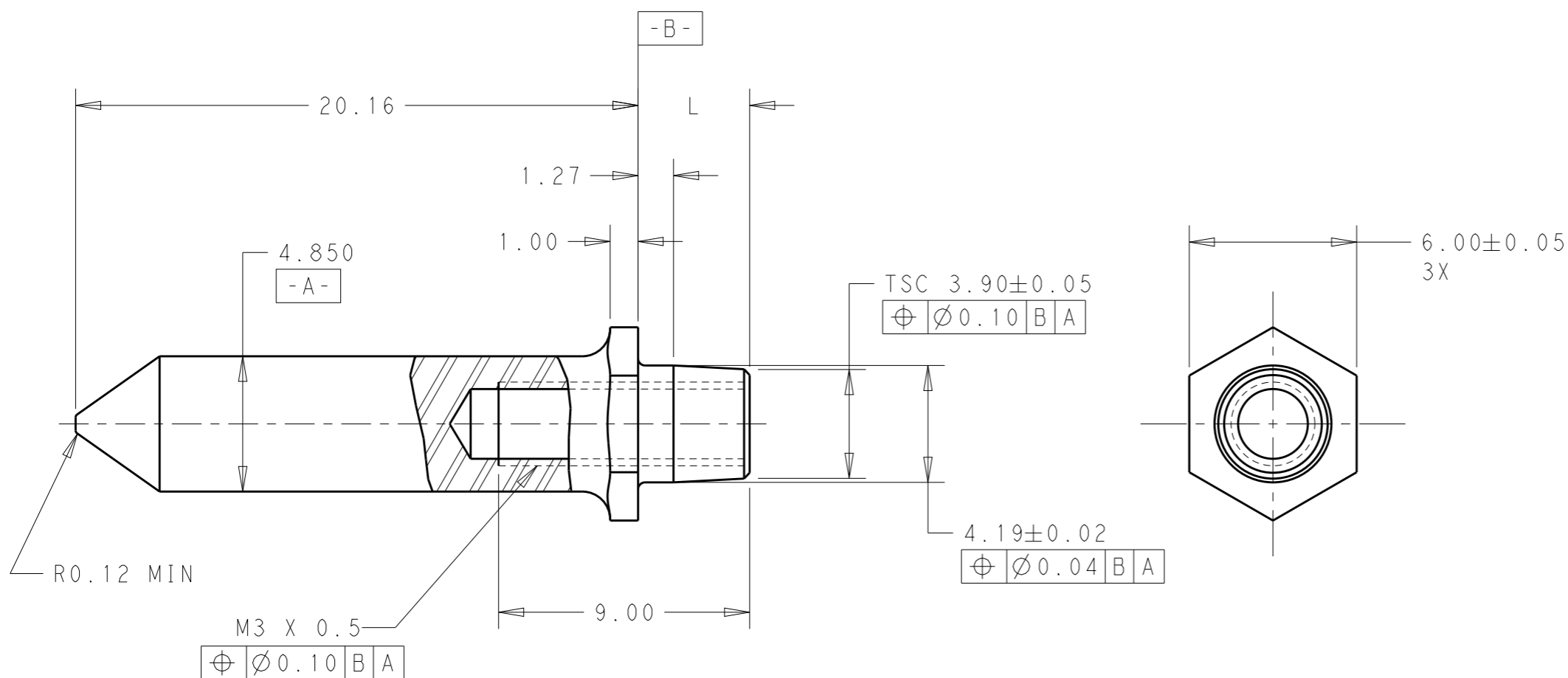
© COPYRIGHT 20 BY -

ALL RIGHTS RESERVED.


REVISIONS

P	LTR	DESCRIPTION	DATE	DWN	APVD
1		PROPOSED	28JAN2011	MS	CP
A		REVISED PER ECO-16-016761	24NOV2016	AP	RP

△ RECOMMENDED PC BOARD DRILLED HOLE IS $\varnothing 4.10 \pm 0.08$



3.0	2169834-2
4.0	2169834-1
L	PART NO

THIS DRAWING IS A CONTROLLED DOCUMENT.		DWN M. SYPOLT 28JAN2011	 TE Connectivity	
DIMENSIONS: mm		CHK M. SYPOLT 28JAN2011		
TOLERANCES UNLESS OTHERWISE SPECIFIED:		APVD C. PICKLES 28JAN2011	NAME GUIDE PIN, STRADA WHISPER	
0 PLC ±- 1 PLC ±- 2 PLC ±0.13 3 PLC ±0.030 4 PLC ±- ANGLES ±-		PRODUCT SPEC -	RESTRICTED TO -	
MATERIAL STAINLESS STEEL material_2		FINISH PASSIVATE finish_spec_2	APPLICATION SPEC -	SIZE A3
		WEIGHT -	CAGE CODE 300779	DRAWING NO C-2169834
		CUSTOMER DRAWING	SCALE 5:1	SHEET 1 OF 1
				REV A