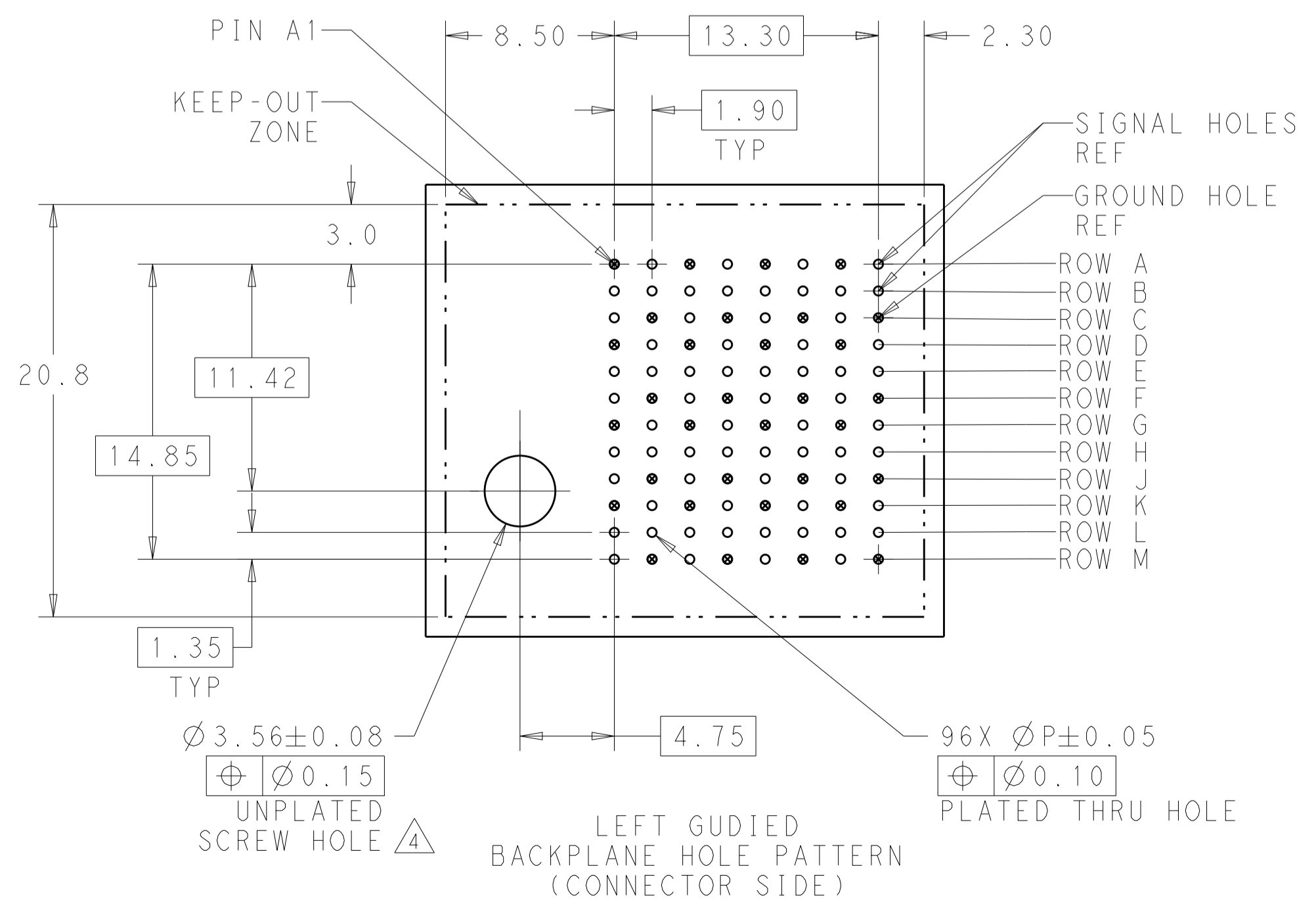
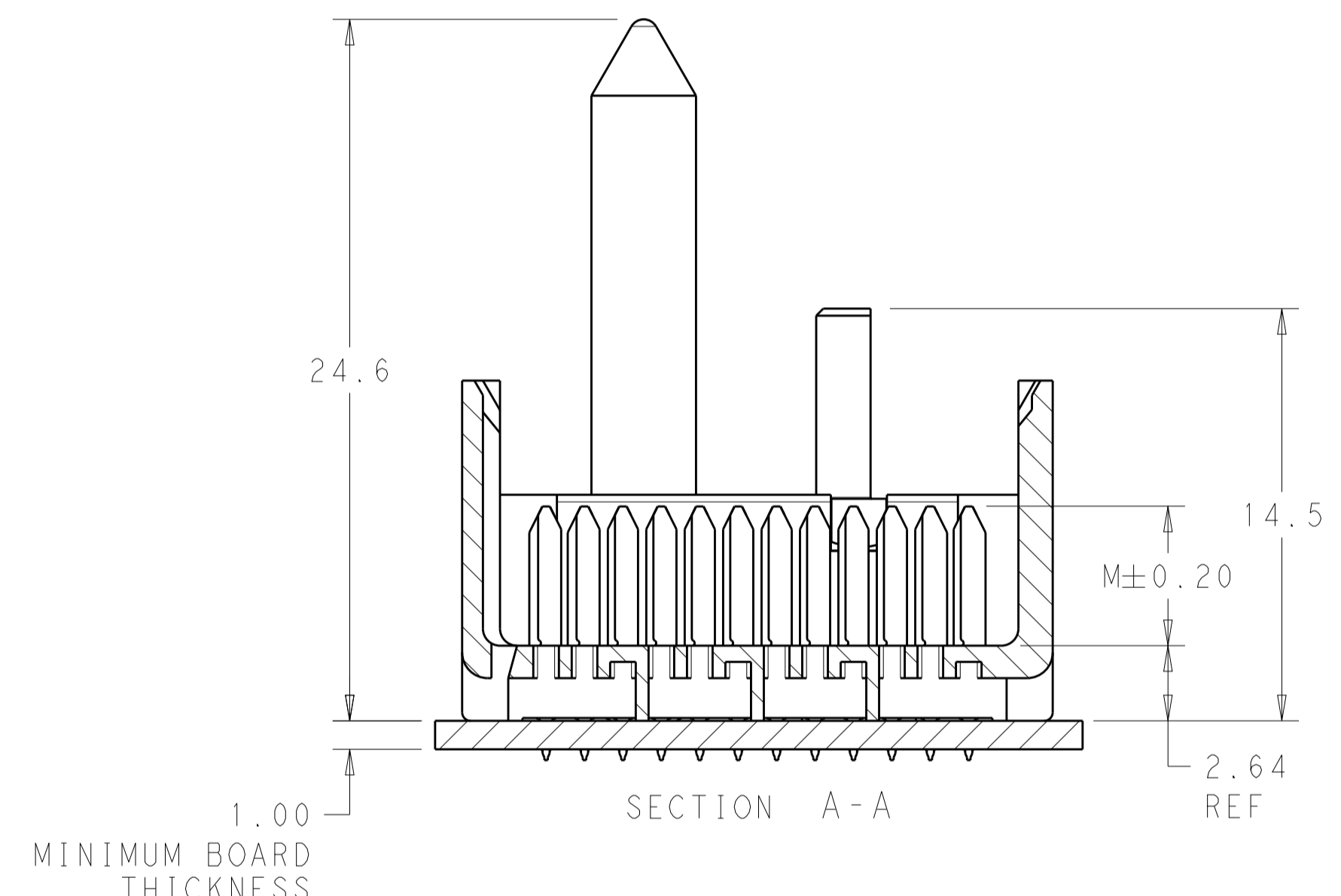
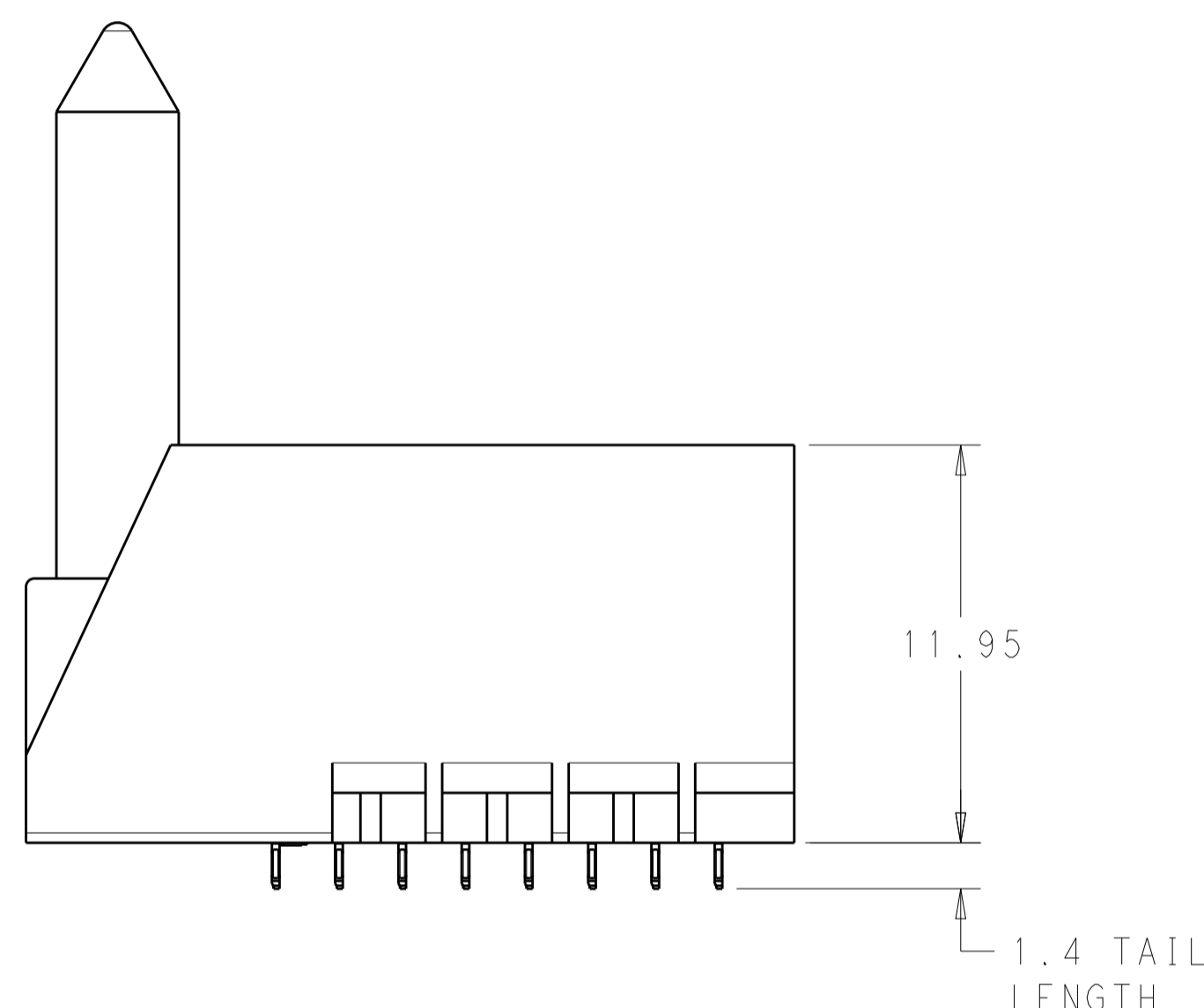
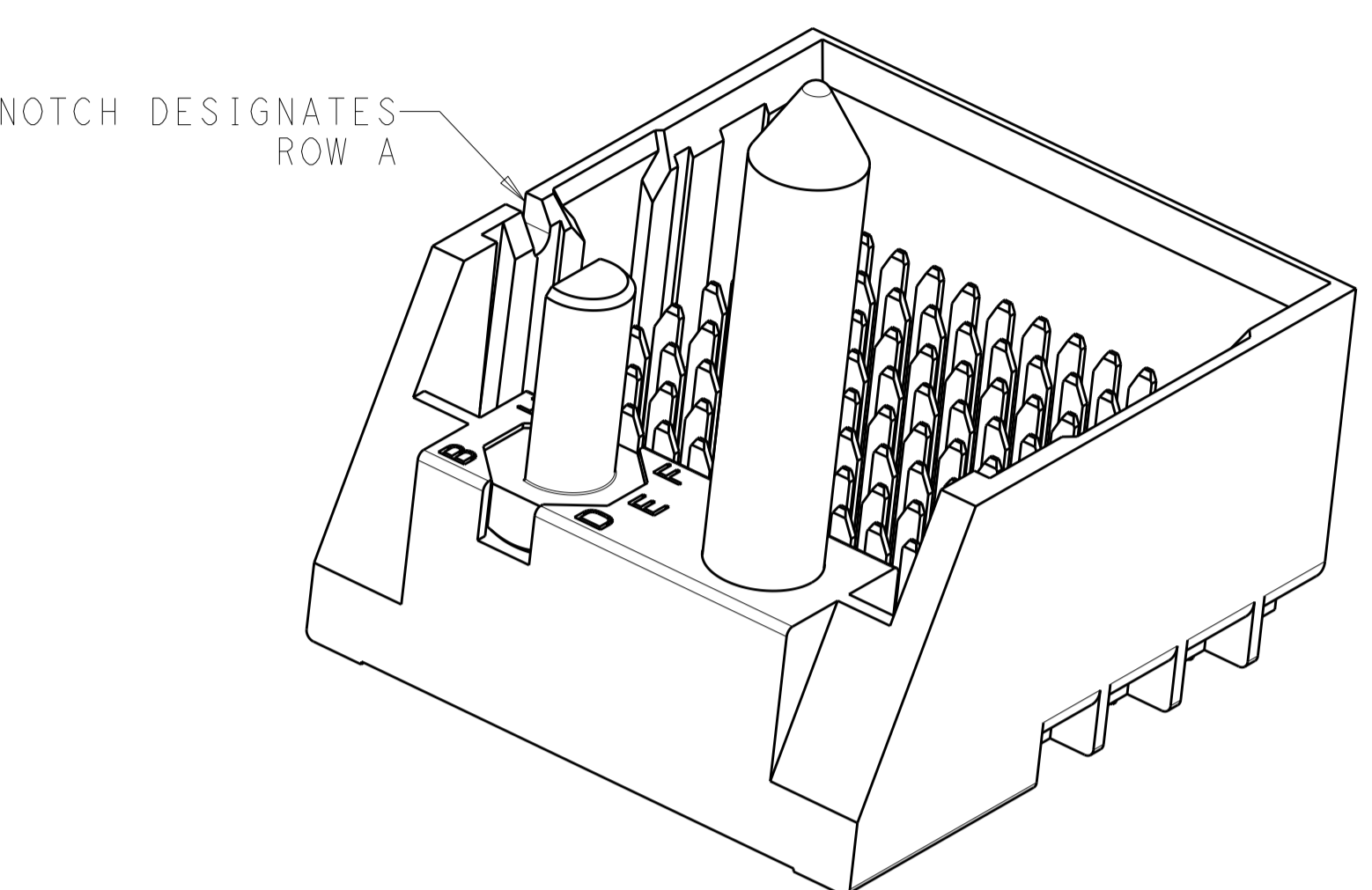
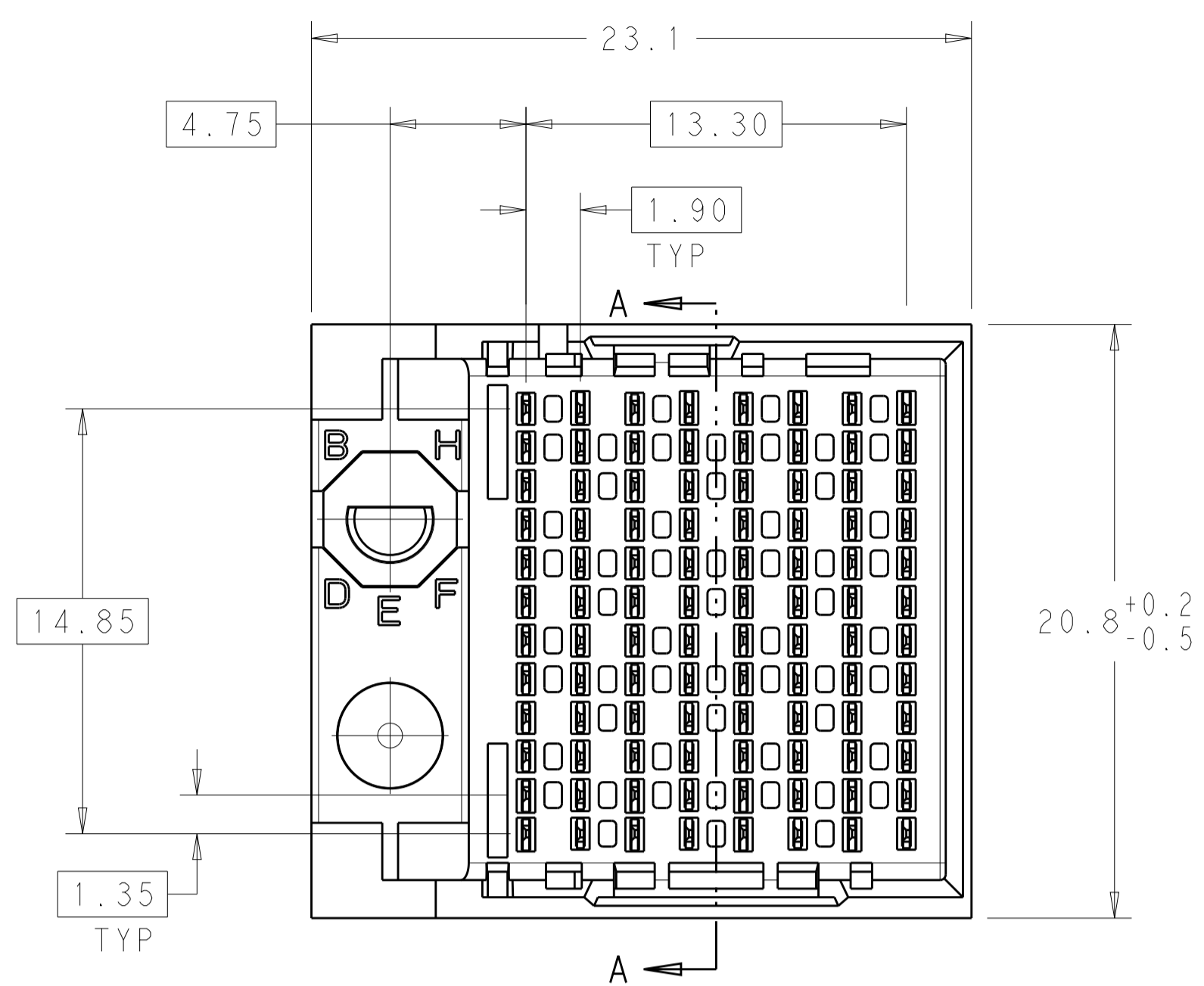


LOC		DIST		REVISIONS			
AD	00	P	LTN	DESCRIPTION	DATE	DWN	APVD
		A		REVISED PER ECO-15-003242	24MAR2015	AP	DD

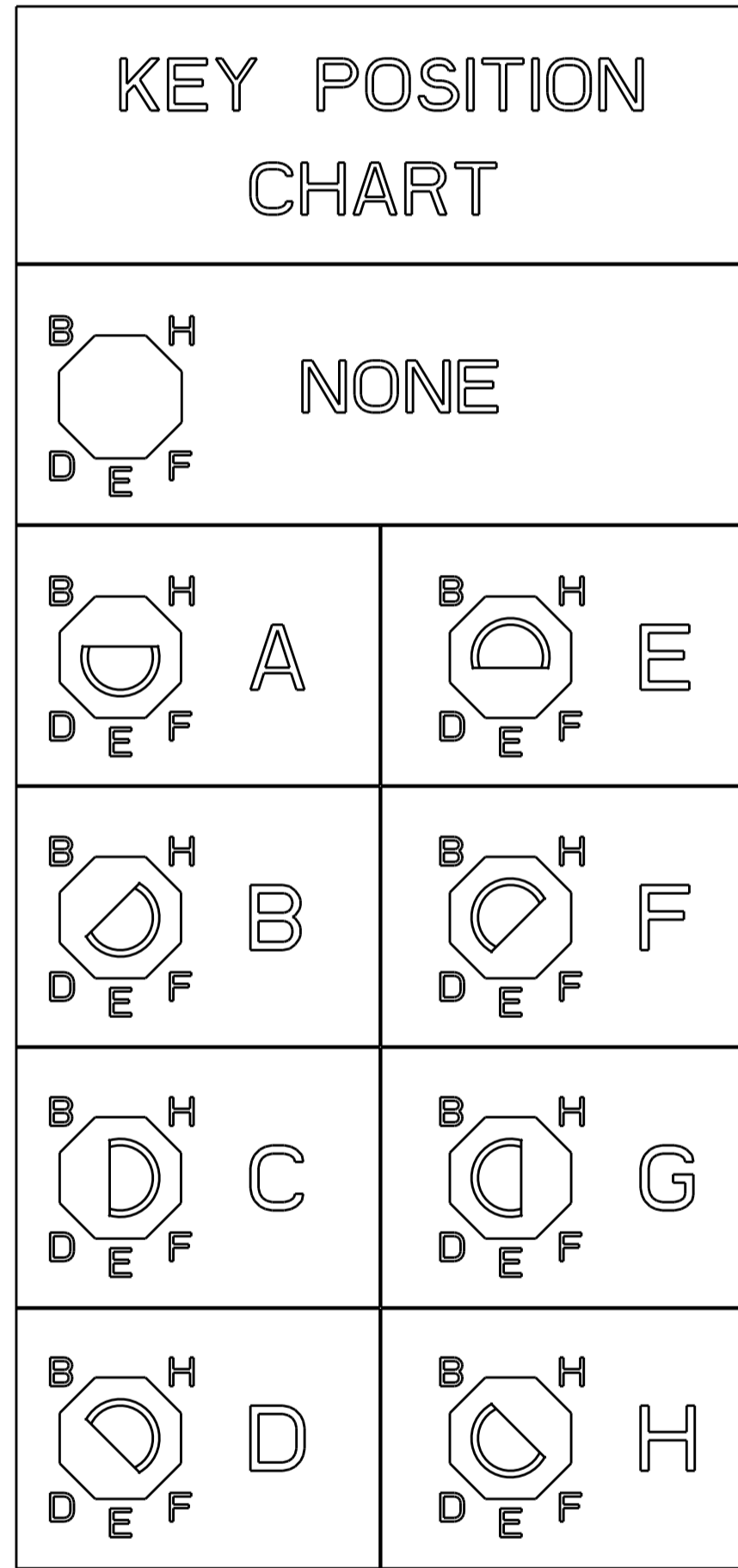


THIS DRAWING IS A CONTROLLED DOCUMENT.		DWN: B. CARBO 12DEC2012	TE Connectivity
DIMENSIONS: mm		CHK: D. DIXON 12DEC2012	
TOLERANCES UNLESS OTHERWISE SPECIFIED:		APVD: D. DIXON 12DEC2012	NAME: IMPACT.85 OHM, STANDARD, 4 PAIR PLUS, 8 COLUMN HEADER, LEFT GUIDED, RIGHT ENDWALL, SIGNAL MODULE
0 PLC	±	PRODUCT SPEC	APPLICATION SPEC
1 PLC	±0.25	SIZE	CAGE CODE DRAWING NO
2 PLC	±0.13	WEIGHT	RESTRICTED TO
3 PLC	±	Customer Drawing	SCALE 5:1 SHEET 1 OF 2 REV A
4 PLC	±		
ANGLES	±		
FINISH	SEE TABLE		

LOC	DIST	REVISIONS			
AD	00	REV	DATE	BY	APPV
-	-	SEE SHEET 1	-	-	-

H	0.46	5.5	8-2169626-6
H	0.46	4.9	8-2169626-5
H	0.46	4.5	8-2169626-4
H	0.39	5.5	8-2169626-3
H	0.39	4.9	8-2169626-2
H	0.39	4.5	8-2169626-1
G	0.46	5.5	7-2169626-6
G	0.46	4.9	7-2169626-5
G	0.46	4.5	7-2169626-4
G	0.39	5.5	7-2169626-3
G	0.39	4.9	7-2169626-2
G	0.39	4.5	7-2169626-1
F	0.46	5.5	6-2169626-6
F	0.46	4.9	6-2169626-5
F	0.46	4.5	6-2169626-4
F	0.39	5.5	6-2169626-3
F	0.39	4.9	6-2169626-2
F	0.39	4.5	6-2169626-1
E	0.46	5.5	5-2169626-6
E	0.46	4.9	5-2169626-5
E	0.46	4.5	5-2169626-4
E	0.39	5.5	5-2169626-3
E	0.39	4.9	5-2169626-2
E	0.39	4.5	5-2169626-1
D	0.46	5.5	4-2169626-6
D	0.46	4.9	4-2169626-5
D	0.46	4.5	4-2169626-4
D	0.39	5.5	4-2169626-3
D	0.39	4.9	4-2169626-2
D	0.39	4.5	4-2169626-1
C	0.46	5.5	3-2169626-6
C	0.46	4.9	3-2169626-5
C	0.46	4.5	3-2169626-4
C	0.39	5.5	3-2169626-3
C	0.39	4.9	3-2169626-2
C	0.39	4.5	3-2169626-1
B	0.46	5.5	2-2169626-6
B	0.46	4.9	2-2169626-5
B	0.46	4.5	2-2169626-4
B	0.39	5.5	2-2169626-3
B	0.39	4.9	2-2169626-2
B	0.39	4.5	2-2169626-1
A	0.46	5.5	1-2169626-6
A	0.46	4.9	1-2169626-5
A	0.46	4.5	1-2169626-4
A	0.39	5.5	1-2169626-3
A	0.39	4.9	1-2169626-2
A	0.39	4.5	1-2169626-1
-	0.46	5.5	2169626-6
-	0.46	4.9	2169626-5
-	0.46	4.5	2169626-4
-	0.39	5.5	2169626-3
-	0.39	4.9	2169626-2
-	0.39	4.5	2169626-1
KEY POSITION	P PLATED THROUGH HOLE SIZE	M POST LENGTH	PART NUMBER

- 1 MATERIAL:  
HOUSING: LCP, GLASS FILLED, UL94V-0.  
TERMINALS: HIGH PERFORMANCE COPPER ALLOY.
- 2 FINISH:  
30μ" MIN GOLD IN CONTACT AREA. SELECTIVE TIN  
ON PCB TAILS, NICKEL OVERALL.
- 3. SCREWS PACKAGED IN END OF PACKAGING TUBE.
- 4 FOR GROUNDED GUIDE PIN USE Ø3.56±0.08 PTH,  
Ø3.66 DRILL, AND Ø6.5 PAD.
- 5. KEYING PIN SHOWN IN POSITION A, SEE KEYING CHART  
ON SHEET 2 FOR OTHER POSITIONS.



REFER TO WWW.TE.COM  
FOR PRODUCT AVAILABILITY

THIS DRAWING IS A CONTROLLED DOCUMENT.		OWN: B. CARBO 12DEC2012	<b>STE</b> TE Connectivity
DIMENSIONS: mm		CHK: D. DIXON 12DEC2012	
TOLERANCES UNLESS OTHERWISE SPECIFIED:		APVD: D. DIXON 12DEC2012	NAME: IMPACT.85 OHM, STANDARD.4 PAIR PLUS, 8 COLUMN HEADER, LEFT GUIDED, RIGHT ENDWALL, SIGNAL MODULE
0 PLC ±.13		PRODUCT SPEC	
1 PLC ±0.25		APPLICATION SPEC	SIZE: CAGE CODE DRAWING NO RESTRICTED TO
2 PLC ±.13		WEIGHT	A100779C=2169626
3 PLC ±.13		Customer Drawing	SCALE 5:1 SHEET 2 OF 2 REV A
4 PLC ±.13			
ANGLES			
FINISH SEE TABLE			