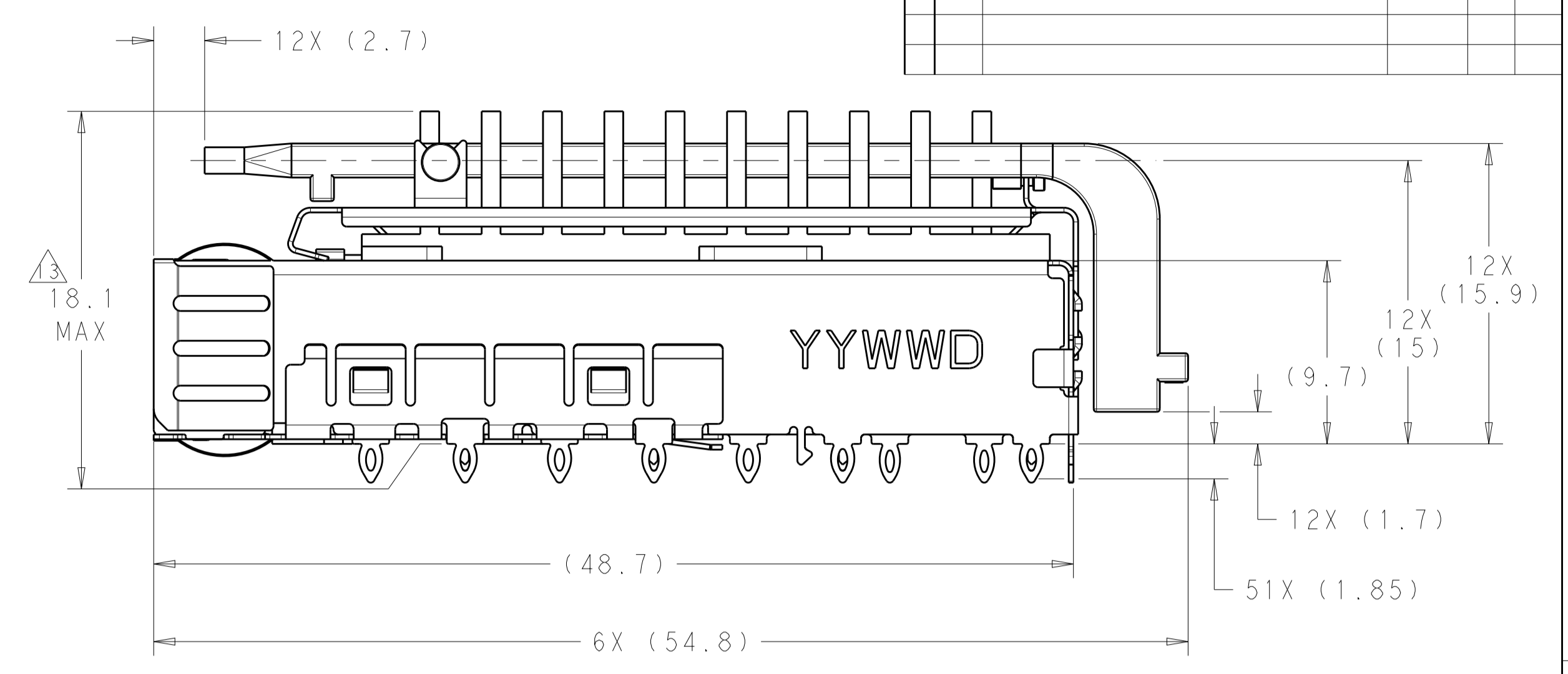
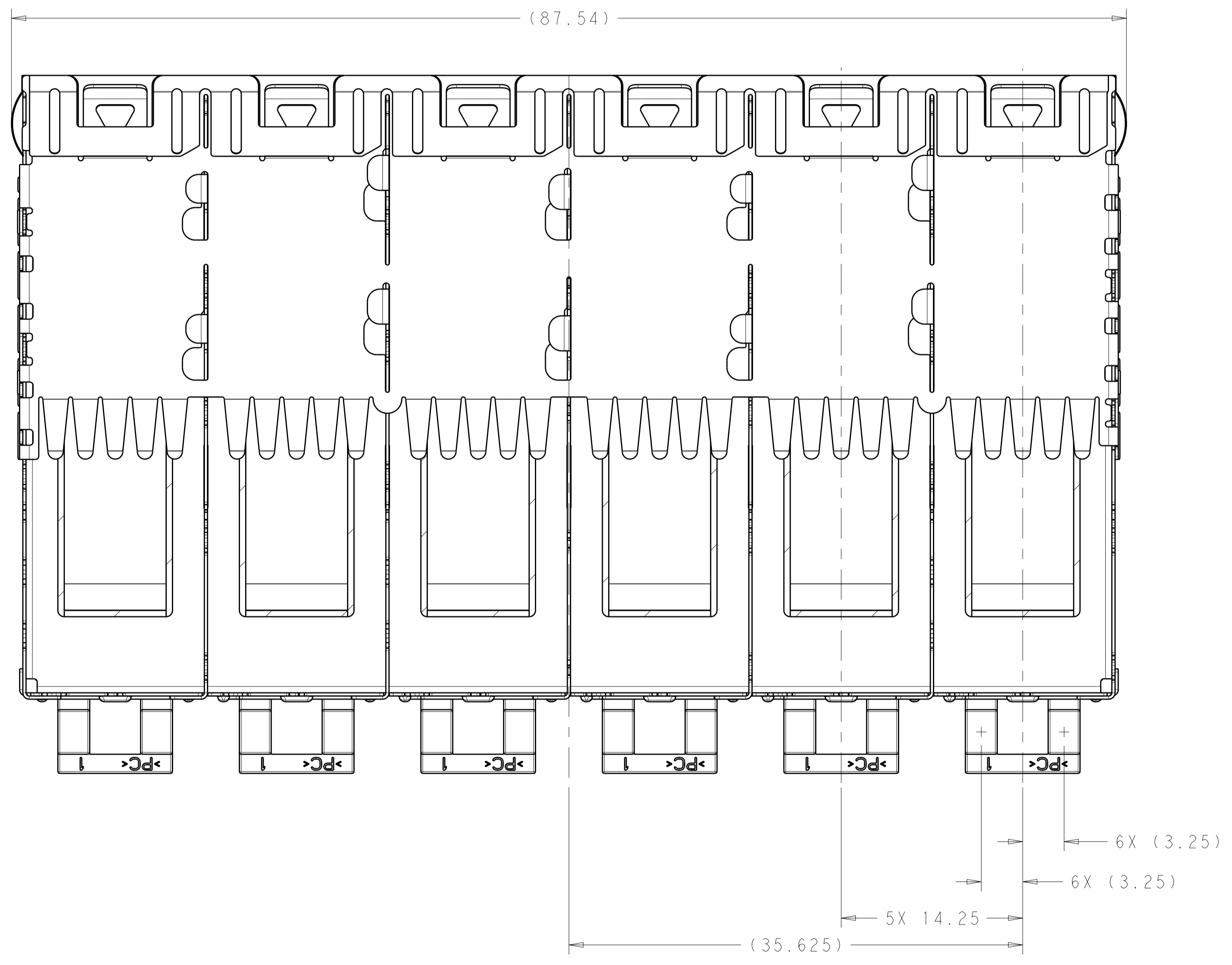
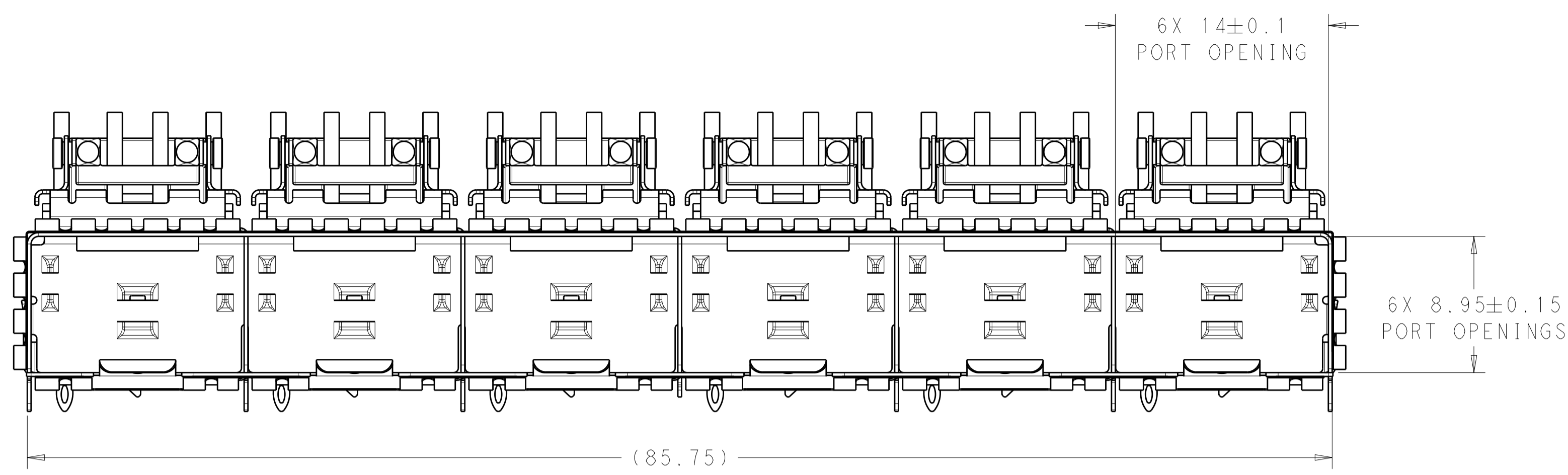
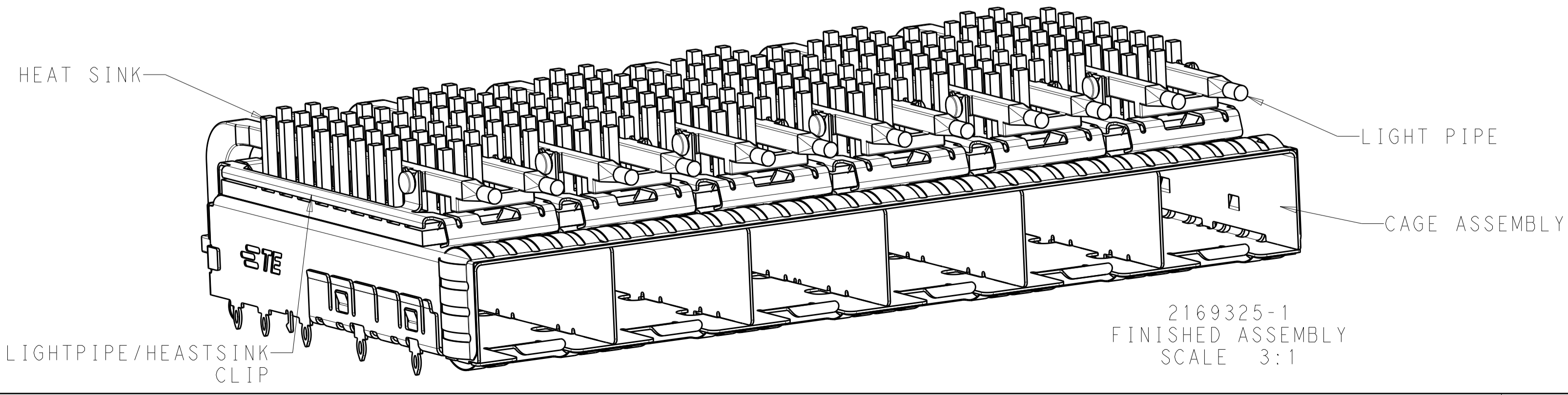


| LOC | | DIST | | REVISIONS | | | |
|-----|----|------|-----|----------------------------|-----------|-----|------|
| GP | 00 | P | LTN | DESCRIPTION | DATE | DWN | APVD |
| | | A | | RELEASED PER ECO-12-013192 | 27SEP2012 | BM | MS |



- 1. MATERIAL:
CAGE ASSEMBLY: 0.25mm THICK NICKEL SILVER ALLOY.
LIGHTPIPE/HEATSINK CLIP: STAINLESS STEEL
LIGHT PIPE: POLYCARBONATE, CLEAR
HEATSINK: ALUMINUM
- 2. FINISH:
SPRINGS: MINIMUM OF 0.8um TIN PLATE OVER A MINIMUM OF 0.8um NICKEL UNDERPLATE.
NON-PLATED EDGES PERMISSIBLE.
LIGHTPIPE/HEATSINK CLIP: PASSIVATE
HEATSINK: ELECTROLESS NICKEL
- 3. MATES WITH SFP MSA COMPLIANT TRANSCEIVERS.
- 4. PADS AND VIAS CHASSIS GROUND.
- 5. INTERPRETATION OF DATUM REFERENCE FRAME IN ACCORDANCE WITH SECT 4.4.1.1 OF ASME Y14.5M-1994.
- 6. MINIMUM PCB BOARD THICKNESS:
SINGLE SIDED = 1.50mm
DOUBLE SIDED = 2.25mm
- 7. HOLE PATTERN REPEATS FOR EACH PORT. SPACING BETWEEN PORTS IS 14.25mm.
- 8. DATUM AND BASIC DIMENSION ESTABLISHED BY CUSTOMER.
- 9. REFERENCE APPLICATION SPEC. 114-13120, HOLE A, FOR RECOMMENDED DRILL HOLE DIAMETER AND PLATING THICKNESS.
- 10. REFERENCE APPLICATION SPEC. 114-13120, HOLE B, FOR RECOMMENDED DRILL HOLE DIAMETER AND PLATING THICKNESS.
- 11. CERTAIN MATING TRANSCEIVERS MAY REQUIRE ADDITIONAL PCB THICKNESS THAT WOULD BE DETERMINED BY THE CUSTOMER.
- 12. PRODUCT COMPLIES WITH SPECIFICATION SFF-8433 IMPROVED PLUGGABLE FORM FACTOR FOR SFP+ GANGED CAGES.
- 13. DIMENSION APPLIES PRIOR TO INSERTION OF SFP MODULE
- 14. PACKAGED AS A COMPLETE ASSEMBLY.

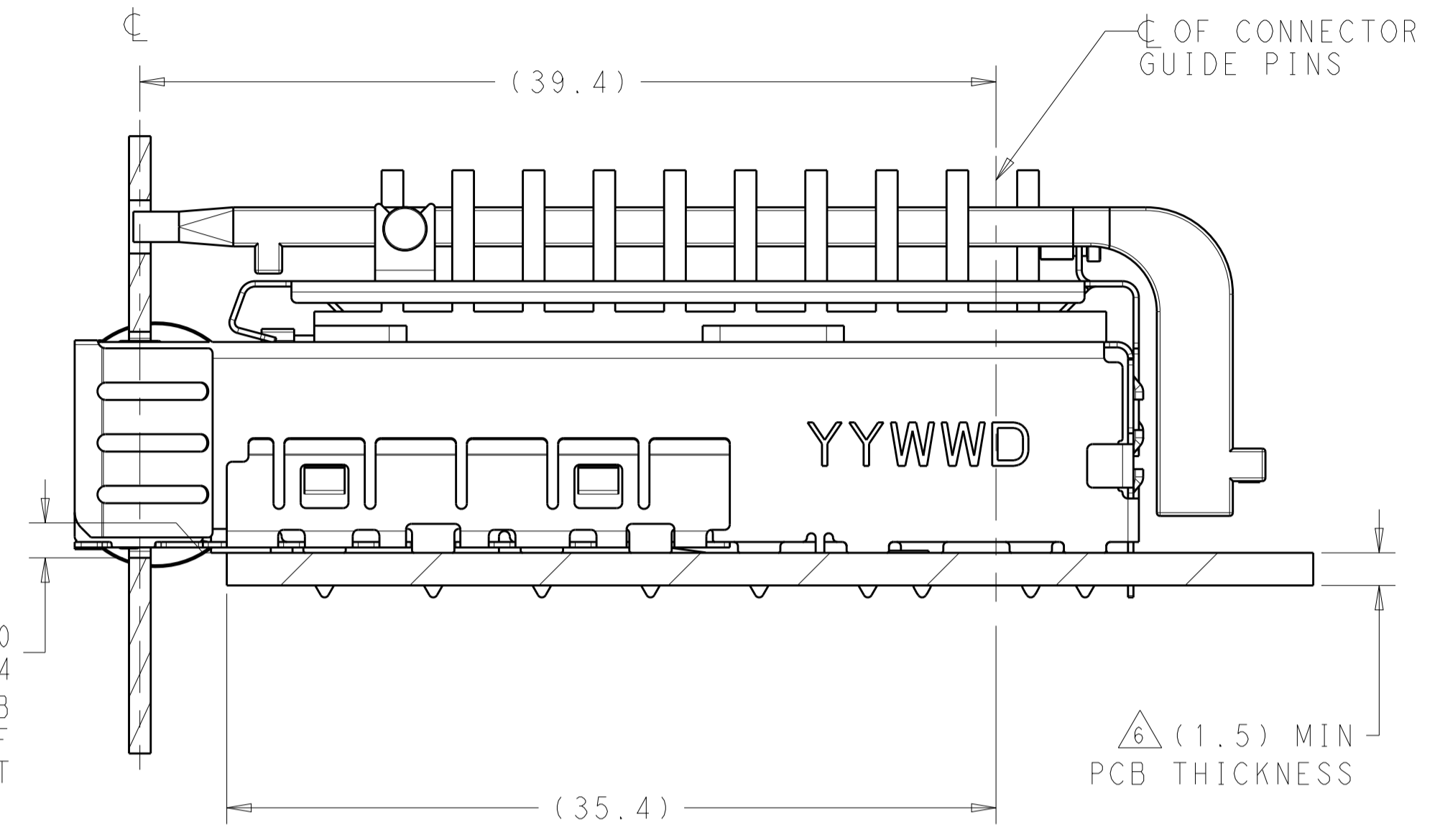
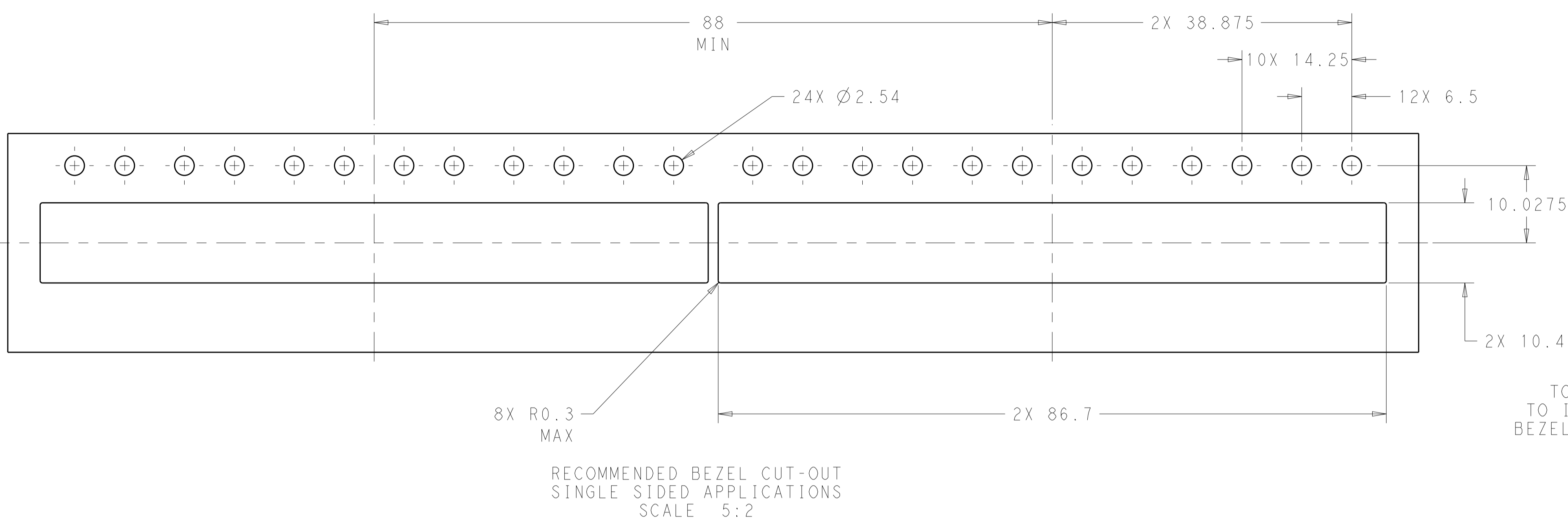


| | |
|-------------------|-------------|
| NETWORKING, SHORT | 2169325-1 |
| DESCRIPTION | PART NUMBER |

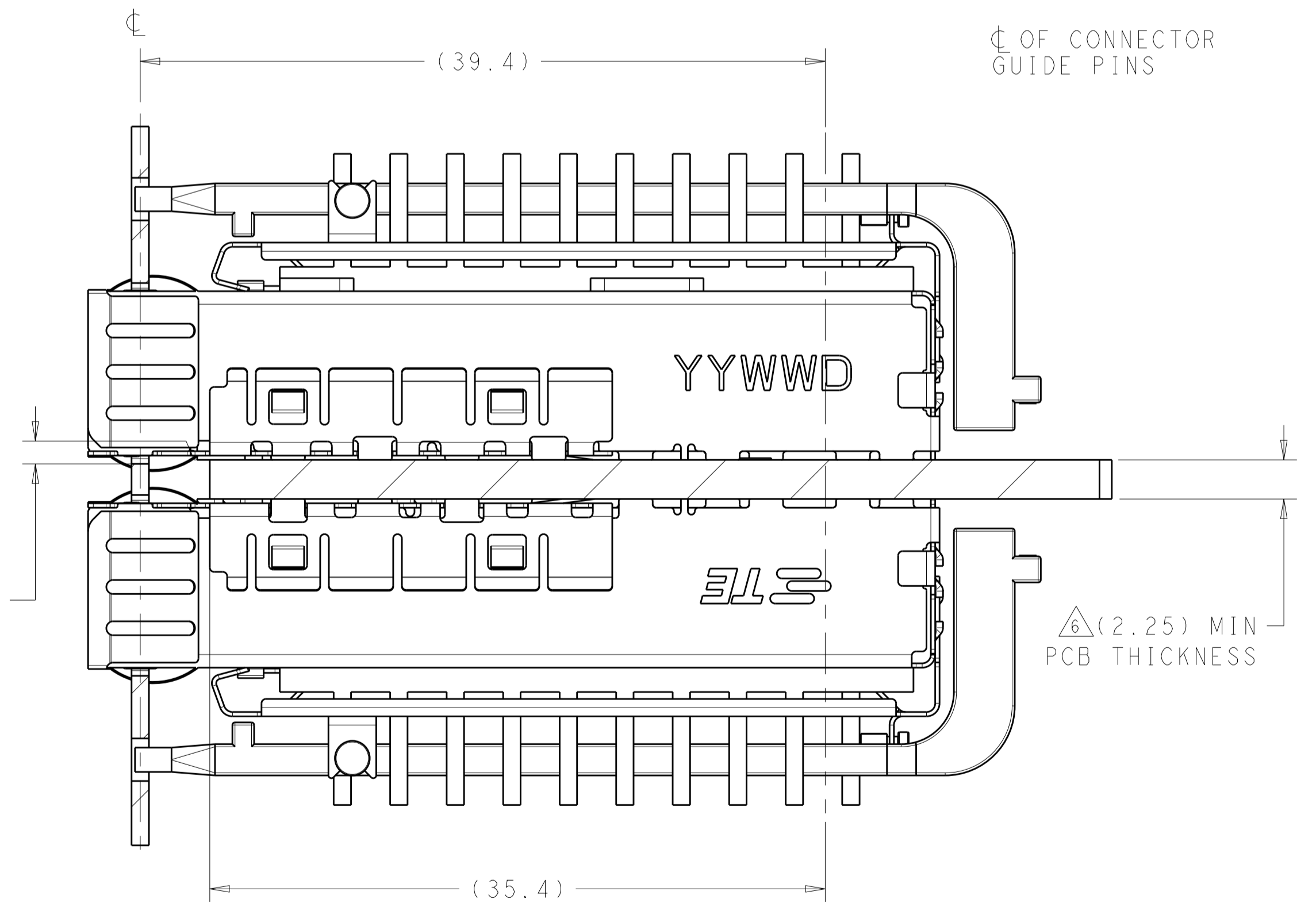
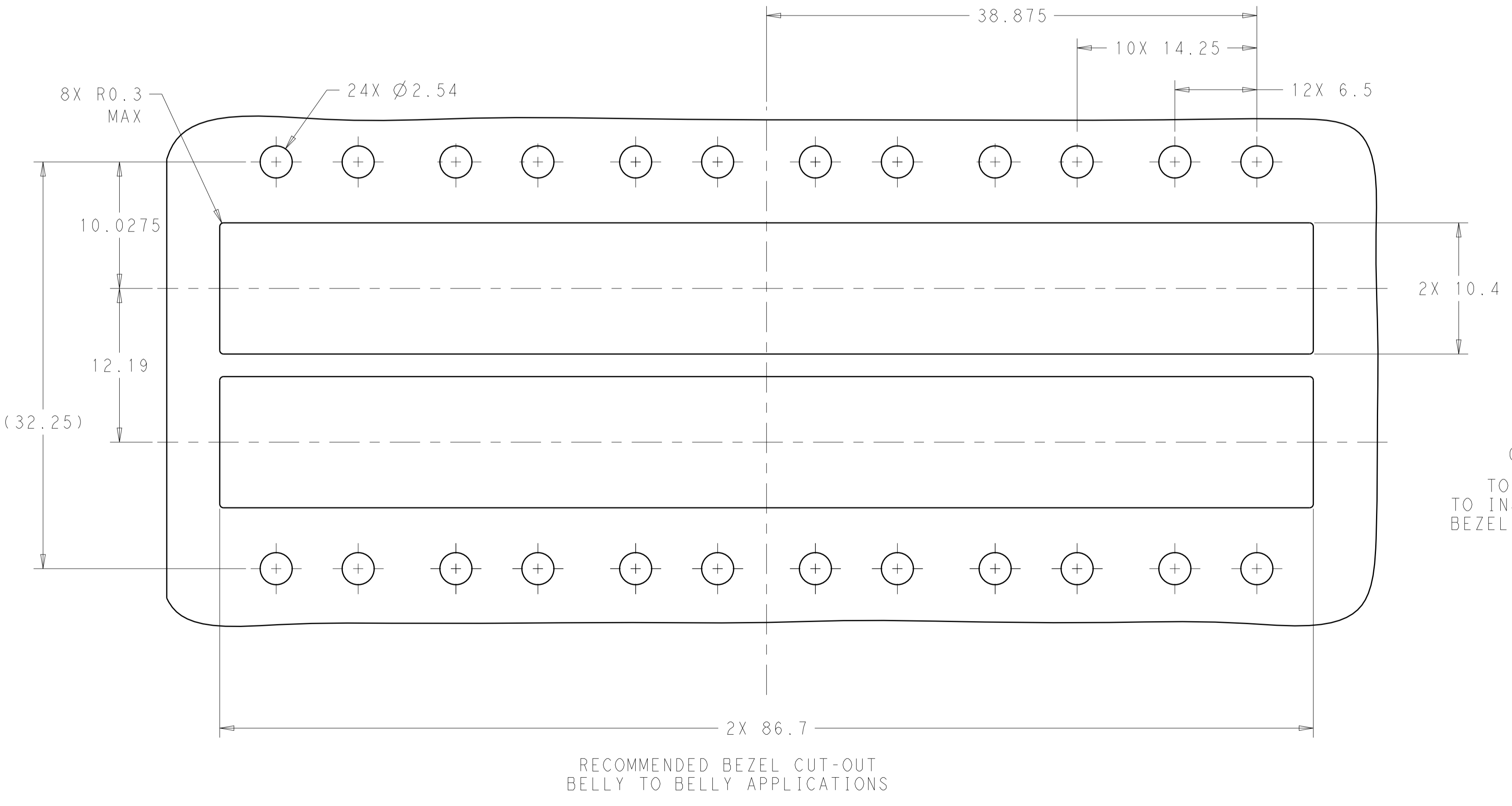
| | | | |
|--|--|-----------------------------|---|
| THIS DRAWING IS A CONTROLLED DOCUMENT. | | DWN: B. MATTHEWS 02NOV2010 | TE Connectivity |
| DIMENSIONS: mm | | CHK: M. SCHMITT 02NOV2010 | |
| TOLERANCES UNLESS OTHERWISE SPECIFIED: | | APVD: M. SCHMITT 02NOV2010 | NAME: SFP+ ENHANCED 1X6 CAGE SUBASSEMBLY PRESS FIT, EXTERNAL EMI SPRINGS |
| 0 PLC ±0.1 | | PRODUCT SPEC: 108-2364 | |
| 1 PLC ±0.1 | | APPLICATION SPEC: 114-13120 | SIZE: A1 CAGE CODE: 00779 DRAWING NO: 2169325 |
| 2 PLC ±0.1 | | WEIGHT: - | |
| 3 PLC ±0.1 | | Customer Drawing | RESTRICTED TO: - |
| 4 PLC ±0.1 | | SCALE: 4:1 | SHEET: 1 OF 4 |
| ANGLES ±0.1° | | REV: A | |

| LOC | DIST | REV | DATE | BY | APPV |
|-----|------|-----|------|----|------|
| GP | 00 | | | | |

| REVISIONS | | DATE | BY | APPV |
|-----------|-------------|------|----|------|
| 1 | SEE SHEET 1 | | | |



2169325-1
MOUNTED ON PC BOARD
SHOWN THRU RECOMMENDED BEZEL



2169325-1
MOUNTED BELLY TO BELLY ON PC BOARD
SHOWN THRU RECOMMENDED BEZEL

| | | | |
|--|------|----------------------------|--|
| THIS DRAWING IS A CONTROLLED DOCUMENT. | | DWN: B. MATTHEWS 02NOV2010 | TE Connectivity |
| DIMENSIONS: mm | | CHK: M. SCHMITT 02NOV2010 | |
| TOLERANCES UNLESS OTHERWISE SPECIFIED: | | APVD: M. SCHMITT 02NOV2010 | NAME: SFP+ ENHANCED 1X6 CAGE SUBASSEMBLY PRESS FIT, EXTERNAL EMI SPRINGS |
| 0 PLC | ±0.1 | PRODUCT SPEC | SIZE: CAGE CODE DRAWING NO |
| 1 PLC | ±0.1 | 108-2364 | RESTRICTED TO |
| 2 PLC | ±0.1 | APPLICATION SPEC | A100779C=2169325 |
| 3 PLC | ±0.1 | 114-13120 | SCALE: 4:1 SHEET 2 OF 4 REV A |
| 4 PLC | ±0.1 | WEIGHT | |
| ANGLES | ±1* | Customer Drawing | |

