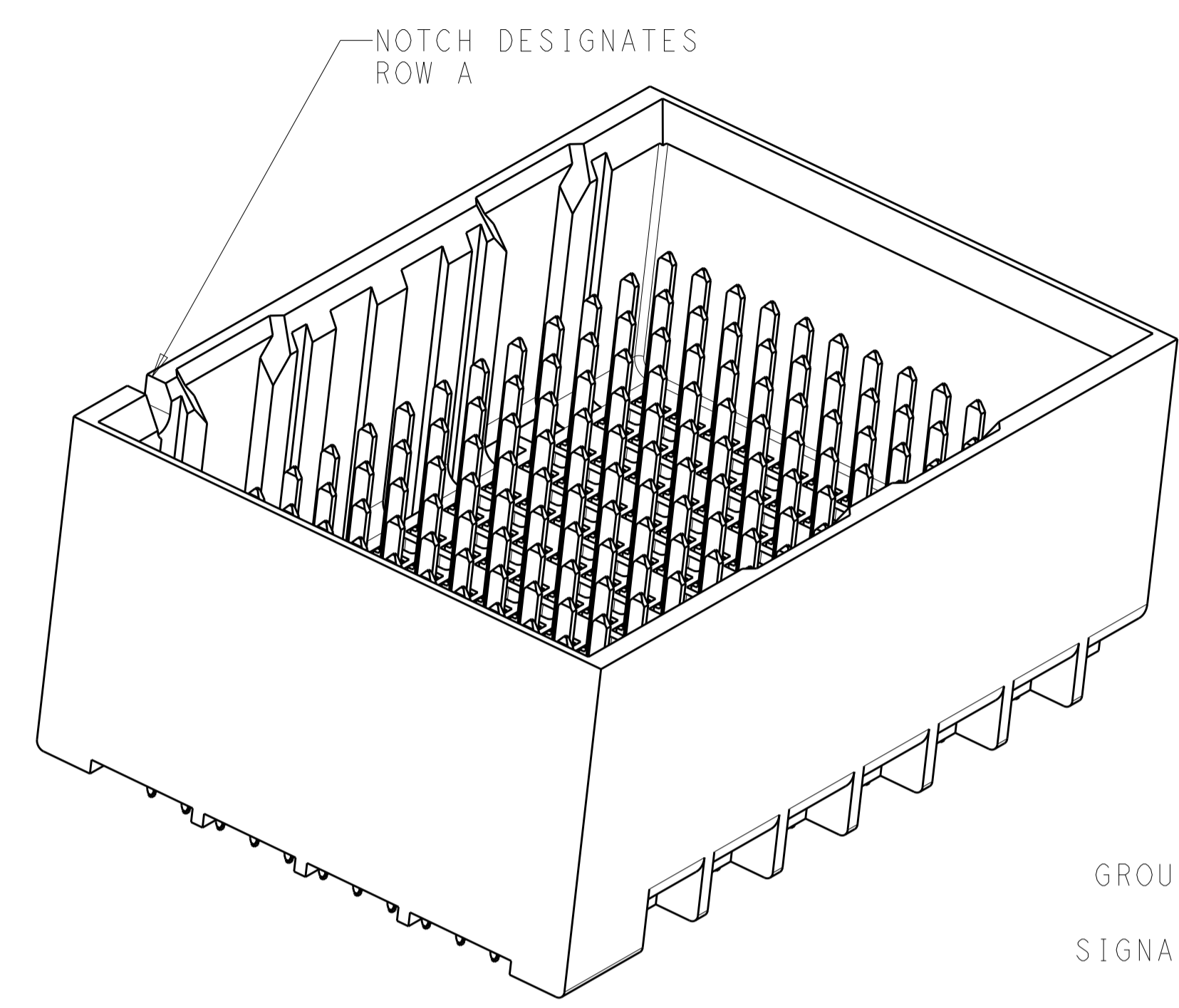
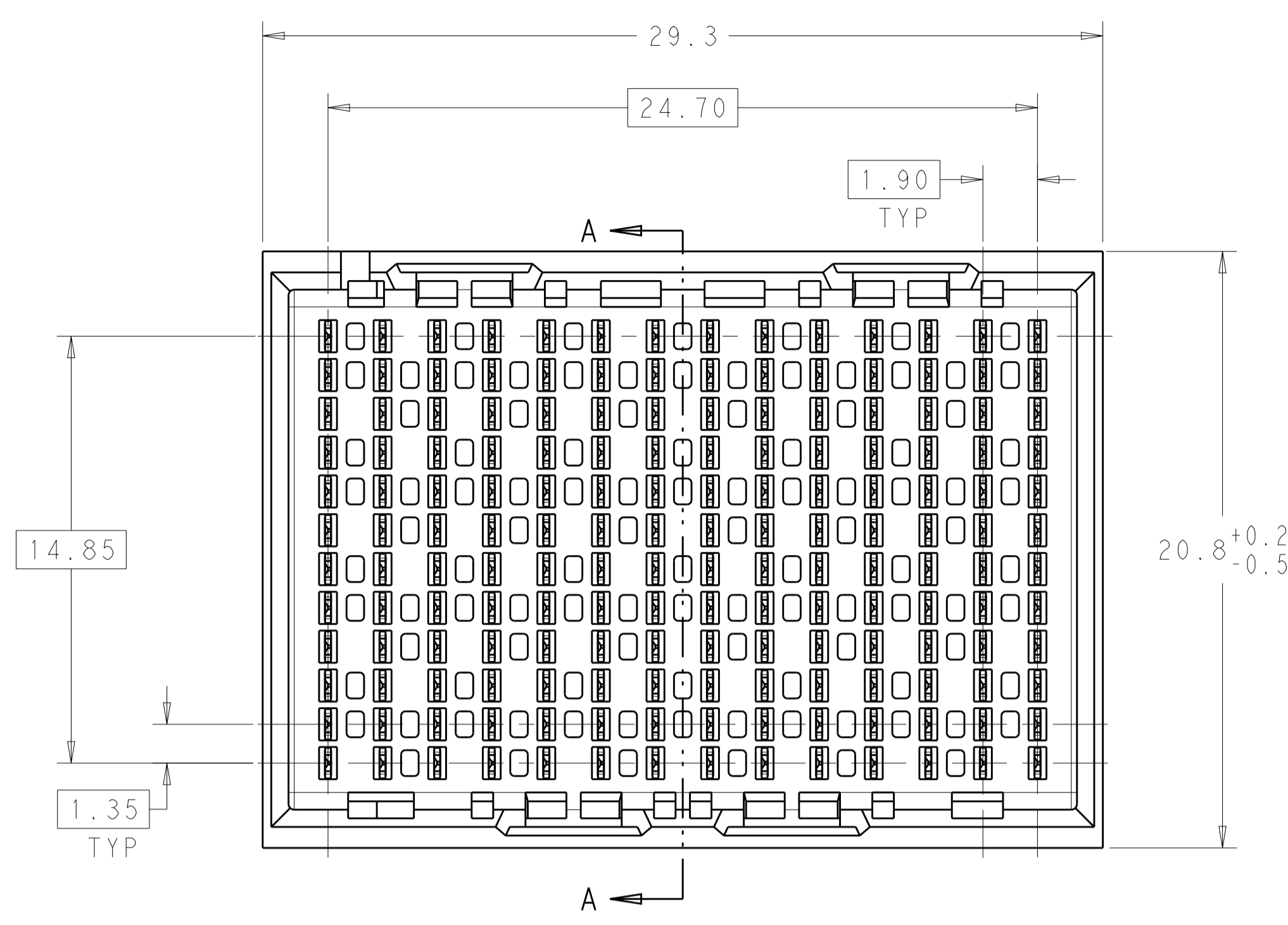
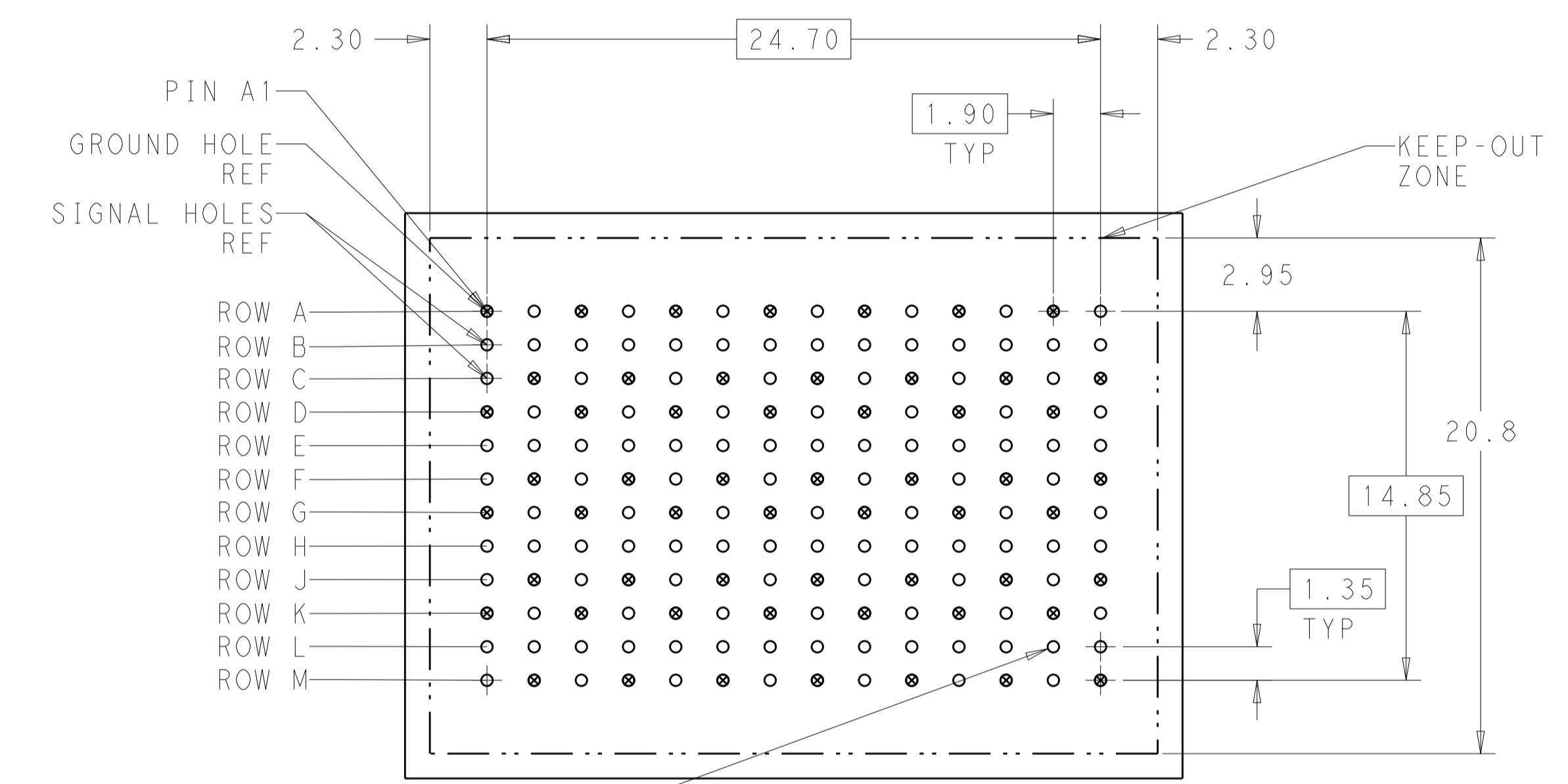


LOC	DIST	REVISIONS			
P	LTN	DESCRIPTION	DATE	DWN	APVD
A1		REVISED PER ECO-15-001494	07FEB2015	AP	DD



△ MATERIAL:  
HOUSING: LCP, GLASS FILLED, UL94V-0.  
TERMINALS: HIGH PERFORMANCE COPPER ALLOY.

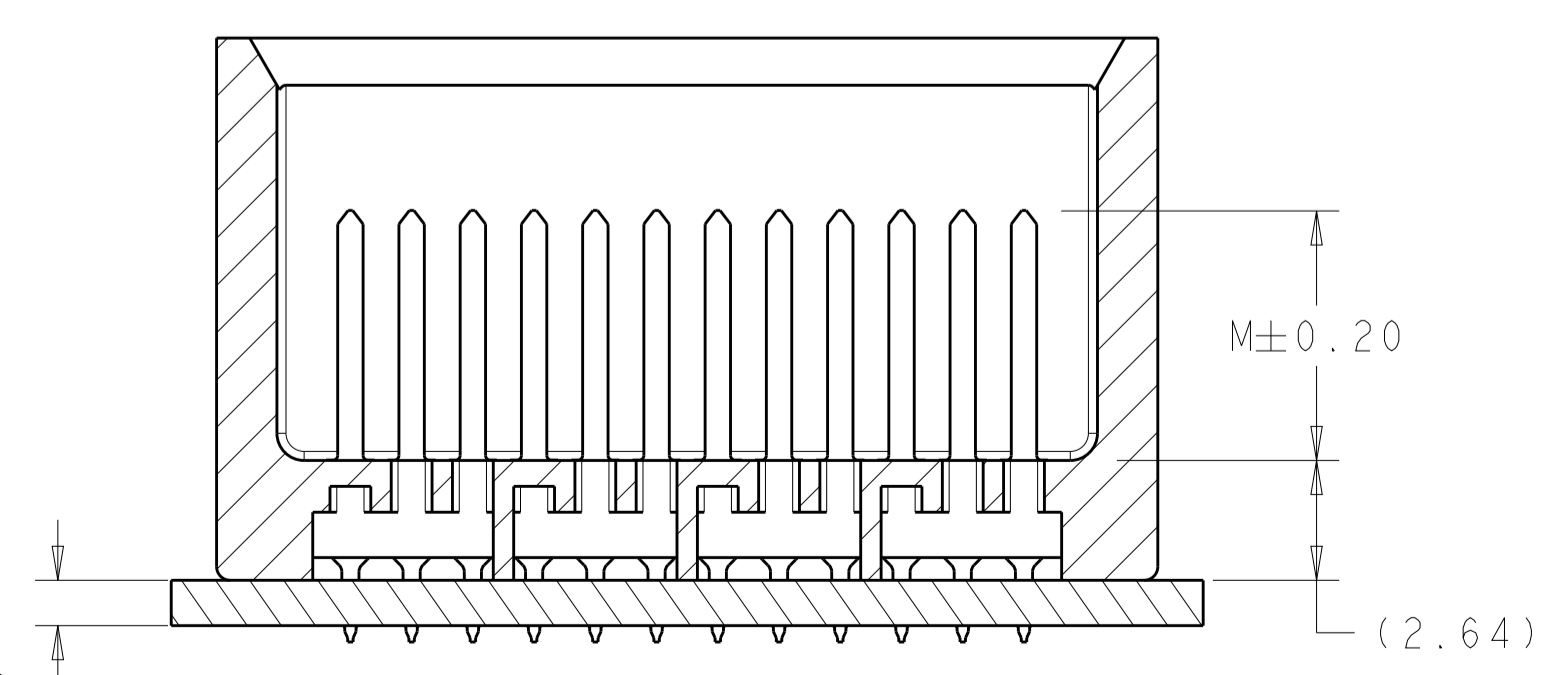
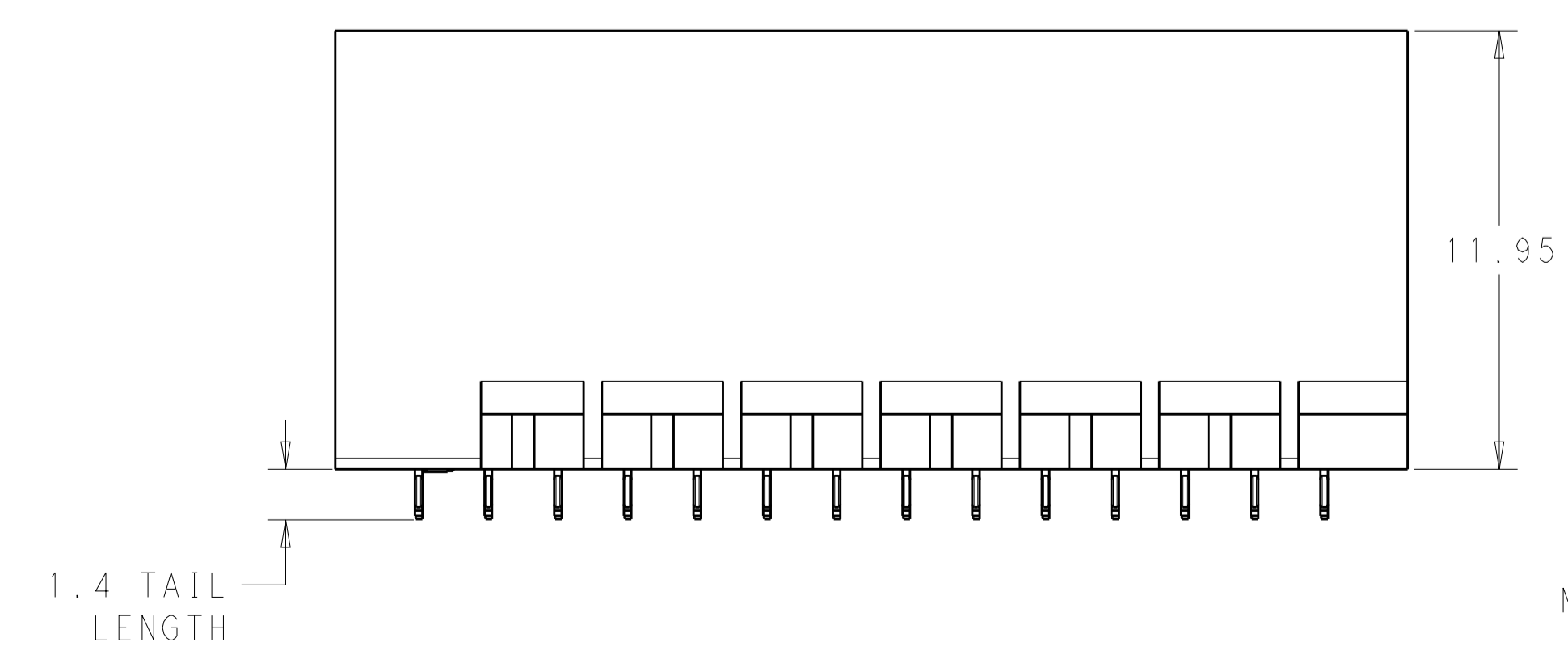
△ FINISH:  
30μ" MIN GOLD IN CONTACT AREA. SELECTIVE TIN  
ON PCB TAILS, NICKEL OVERALL.



168X  $\varnothing 0.46 \pm 0.05$   
PLATED THRU HOLE

168X  $\varnothing 0.55 \pm 0.013$   
DRILL HOLE  
 $\varnothing 0.10$

UNGUIDED  
BACKPLANE HOLE PATTERN  
(CONNECTOR SIDE)



1.00  
MINIMUM BOARD  
THICKNESS

SECTION A-A

THIS DRAWING IS A CONTROLLED DOCUMENT.		DWN: R. COELLO 27MAY2011	 TE Connectivity
DIMENSIONS:		CHK: J. EARY 27MAY2011	
TOLERANCES UNLESS OTHERWISE SPECIFIED:		APVD: J. EARY 27MAY2011	
0 PLC ± 1 PLC ±0.25 2 PLC ±0.13 3 PLC ± 4 PLC ± ANGLES ±		NAME: IMPACT, 4 PAIR, 14 COLUMN, HEADER UNGUIDED, DUAL END WALL SIGNAL MODULE, 0.46 PTH	
MATERIAL: SEE TABLE		SIZE: A100779	RESTRICTED TO
FINISH: SEE TABLE		WEIGHT: -	CAGE CODE: -
CUSTOMER DRAWING		SCALE: 6:1	SHEET 1 OF 2

THIS DRAWING IS UNPUBLISHED. RELEASED FOR PUBLICATION 20  
 © COPYRIGHT 20 BY - ALL RIGHTS RESERVED.

LOC	DIST	REVISIONS					
		P	LTN	DESCRIPTION	DATE	DWN	APVD
AD	00	-		SEE SHEET 1	-	-	-

FINISH	DIM M	PART NUMBER
$\triangle$	5.5	2169018-3
$\triangle$	4.9	2169018-2
$\triangle$	4.5	2169018-1

REFER TO WWW.TE.COM  
FOR PRODUCT AVAILABILITY

THIS DRAWING IS A CONTROLLED DOCUMENT.		DWN R. COELLO 27MAY2011	
		CHK J. EARY 27MAY2011	
DIMENSIONS:		APVD J. EARY 27MAY2011	NAME IMPACT, 4 PAIR, 14 COLUMN, HEADER UNGUIDED, DUAL END WALL SIGNAL MODULE, 0.46 PTH
TOLERANCES UNLESS OTHERWISE SPECIFIED:		PRODUCT SPEC	
mm	0 PLC ±0.25	APPLICATION SPEC	SIZE CAGE CODE DRAWING NO
	2 PLC ±0.13	RESTRICTED TO	A100779C=2169018
	3 PLC ±	WEIGHT	CUSTOMER DRAWING
	4 PLC ±	SCALE 5:1	SHEET 2 OF 2
	ANGLES ±	REV A1	
MATERIAL	FINISH SEE TABLE		