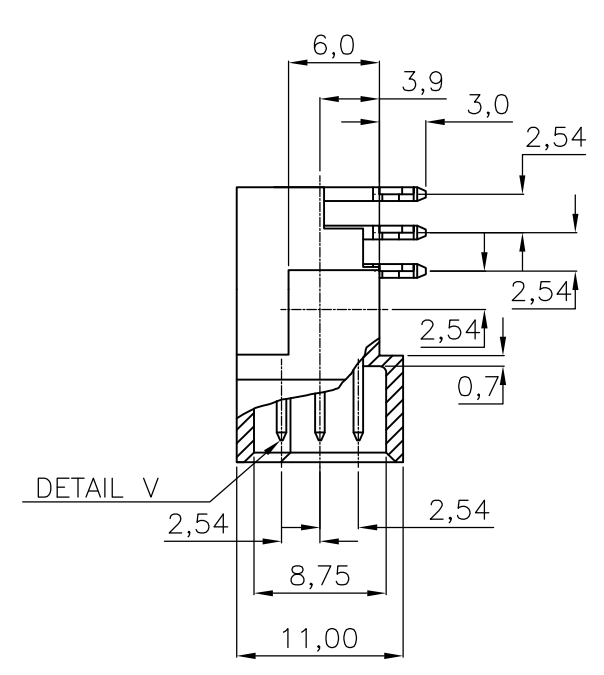
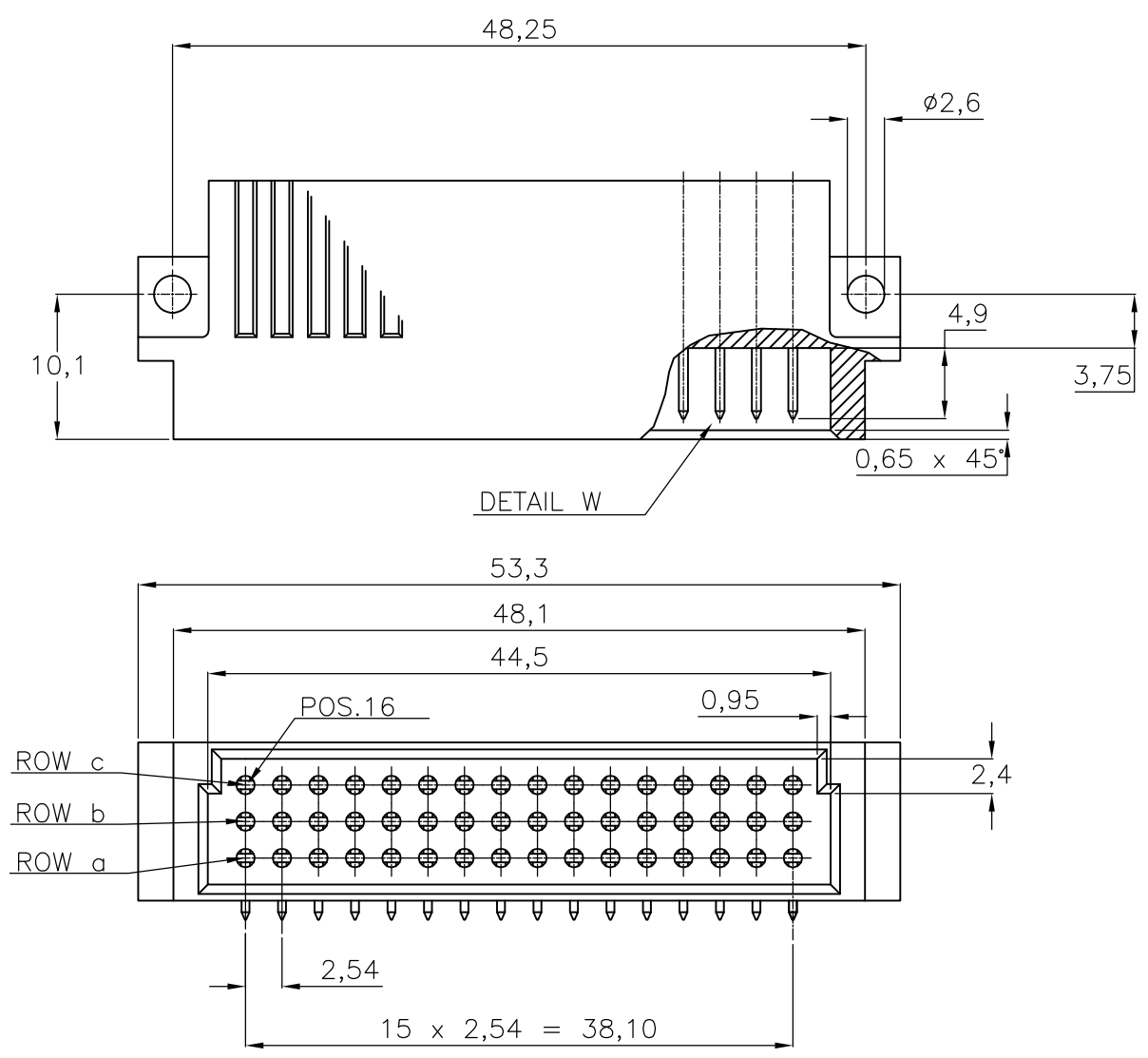
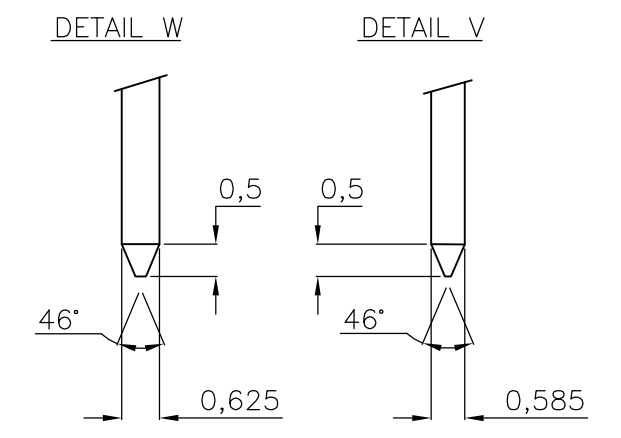


THIS DRAWING IS UNPUBLISHED. RELEASED FOR PUBLICATION
 © COPYRIGHT - By - ALL RIGHTS RESERVED.

LOC	DIST	REVISIONS					
		P	LTR	DESCRIPTION	DATE	DWN	APVD
H	-		C	REVISED PER ECO-15-006790	06MAY2015	AP	RP



P.C.B. HOLE DIM. ACTION PIN
 DRILLED HOLE : 1,15±0,025mm
 FIN. HOLE : 0,94 to 1,09mm
 AFTER REFLOW : 0,91 to 1,09mm
 Cu-thks : 0,025 to 0,075mm
 Sn-thks : 0,004 to 0,010mm



ROW c	x x x x x x x x x x x x x x x x
ROW b	x x x x x x x x x x x x x x x x
ROW a	x x x x x x x x x x x x x x x x
POS	16 15 14 13 12 11 10 9 8 7 6 5 4 3 2 1

AN ASTERISK „X” DENOTES A CONTACT.

- NOTES:**
- 1 MATERIAL:
 - HOUSING: THERMOPL.POLYESTER
 - COLOUR : GREY
 - CONTACTS: PHOSPHORBRONZE
 - 2 PLATING CONTACT :
 - 1 : 1,25 µm Au OVER 1,25 µm Ni AT CONNECTOR MATING SIDE.
2,54µm Sn OVER 1,25 µm Ni AT ACTION-PIN AREA.
 - 4 : 0,8µm Au OVER 1,25 µm Ni AT CONTACT AREA.
2,54 µm Sn OVER 1,25 µm Ni AT ACTION-PIN AREA
 - 7 : 2,0 µm Au OVER 1,25 m Ni AT CONNECTOR MATING SIDE.
2,54 µm Sn OVER 1,25 µm Ni AT ACTION-PIN AREA.
 - 8 : 0,4µm Au OVER 1,25 µm Ni AT CONNECTOR MATING SIDE.
2,54 µm Sn OVER 1,25 µm Ni AT ACTION-PIN AREA.

REFERENCE FAMILY DRAWING 650473 FOR ALL TYPE C HEADER OFFERINGS

OBSOLETE	SEE NOTE 2	SEE NOTE 1	216398-8
OBSOLETE	SEE NOTE 2	SEE NOTE 1	216398-7
	SEE NOTE 2	SEE NOTE 1	216398-4
	SEE NOTE 2	SEE NOTE 1	216398-1
	SEE NOTE	MATERIAL	PARTNUMBER

THIS DRAWING IS A CONTROLLED DOCUMENT.		DWN	J.V.D.HEIJDEN	10APR89	STE TE Connectivity			
		CHK	J.V.GRUNSVEN	10APR89				
		APVD	L.V.SOEST	10APR89	NAME			
		PRODUCT SPEC			48 POS. DIN 41612 TYPE C-MALE WITH ACTION PIN FOR 1,6 P.C.B. THK'S.			
		APPLICATION SPEC			SIZE	CAGE CODE	DRAWING NO	RESTRICTED TO
		MATERIAL			A3 00779		C-216398	-
		FINISH			CUSTOMER DRAWING			SCALE NTS
					SHEET 1 OF 1		REV C	