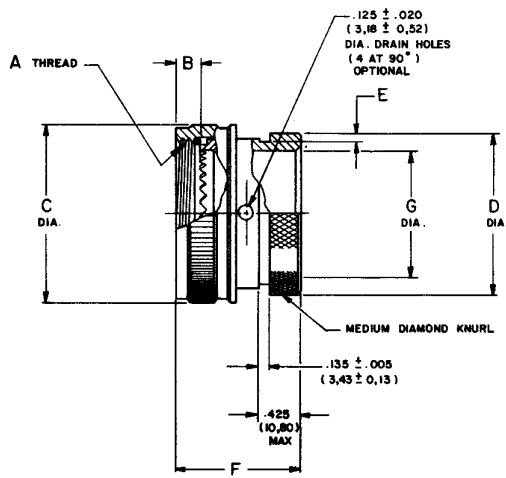


REVISIONS			
LTR	DESCRIPTION	DATE	APPROVED
A	REVISED PER ECN AP-24	2-26-91	C. Inc.

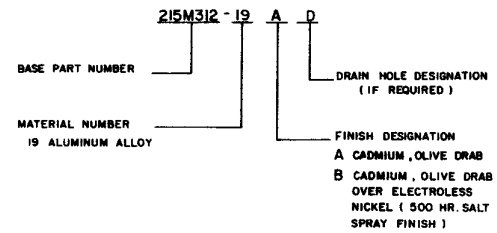


BASE PART NUMBER	SHELL SIZE	R. H. THREAD CLASS 2B	A		B		C		D		E		F		G	
			± .031 (± 0.80)	MAX	± .000 (+ 0.00) (- 0.00) DIA	+ .008 (- .000) DIA	MAX	+ .000 (- .020) DIA	+ .008 (- .000) DIA	MAX	LENGTH	+ .010 (- .020) DIA	+ .025 (- 0.52) DIA			
215M308	8	.438 - 28 UNEF	.156 (3.96)	.781 (19.84)	.533 (13.54)	.044 (1.12)	1.312 (33.32)	.281 (7.14)								
215M310	10	.562 - 24 UNEF	.156 (3.96)	.906 (23.01)	.605 (15.37)	.044 (1.12)	1.312 (33.32)	.385 (9.78)								
215M312	12	.688 - 24 UNEF	.156 (3.96)	1.062 (26.97)	.774 (19.66)	.044 (1.12)	1.312 (33.32)	.531 (13.49)								
215M314	14	.812 - 20 UNEF	.156 (3.96)	1.188 (30.18)	.838 (21.29)	.044 (1.12)	1.312 (33.32)	.625 (15.88)								
215M316	16	.938 - 20 UNEF	.156 (3.96)	1.312 (33.32)	.943 (24.46)	.044 (1.12)	1.312 (33.32)	.750 (19.05)								
215M318	18	1.062 - 18 UNEF	.156 (3.96)	1.438 (36.53)	1.042 (26.47)	.044 (1.12)	1.312 (33.32)	.843 (21.41)								
215M320	20	1.188 - 18 UNEF	.219 (5.56)	1.562 (39.67)	1.217 (30.91)	.069 (1.75)	1.312 (33.32)	.969 (24.61)								
215M322	22	1.312 - 18 UNEF	.219 (5.56)	1.688 (42.89)	1.385 (34.42)	.069 (1.75)	1.312 (33.32)	1.094 (27.79)								
215M324	24	1.438 - 18 UNEF	.189 (4.78)	1.781 (45.24)	1.443 (36.65)	.069 (1.75)	1.312 (33.32)	1.188 (30.18)								

NOTES :

- ALL DIMENSIONS ARE IN INCHES (MILLIMETERS).
- SHELL SIZE FOR DEFENSE STANDARD DD-35 (PART 5) PATTERN 608

ORDERING INFORMATION



SPECIFICATION CONTROL DRAWING

<table border="1"> <tr> <td>DRAWN</td> <td><i>David Inc.</i></td> <td>7.31.90</td> </tr> <tr> <td>CHECKED</td> <td><i>C. M. B.</i></td> <td>8.29.90</td> </tr> <tr> <td>APPROVED</td> <td><i>[Signature]</i></td> <td>8.29.90</td> </tr> <tr> <td>APPROVED</td> <td><i>[Signature]</i></td> <td>8.29.90</td> </tr> <tr> <td>APPROVED</td> <td><i>[Signature]</i></td> <td>8.29.90</td> </tr> </table>	DRAWN	<i>David Inc.</i>	7.31.90	CHECKED	<i>C. M. B.</i>	8.29.90	APPROVED	<i>[Signature]</i>	8.29.90	APPROVED	<i>[Signature]</i>	8.29.90	APPROVED	<i>[Signature]</i>	8.29.90	<p><b>RAYCIZ</b> Raychem Corporation 310 Constitution Drive Menlo Park, CA 94025 USA</p> <p><b>Raychem</b></p>
DRAWN	<i>David Inc.</i>	7.31.90														
CHECKED	<i>C. M. B.</i>	8.29.90														
APPROVED	<i>[Signature]</i>	8.29.90														
APPROVED	<i>[Signature]</i>	8.29.90														
APPROVED	<i>[Signature]</i>	8.29.90														
<p>TITLE</p> <p><b>ADAPTER, SPIN COUPLING</b></p>																
<p>UNLESS OTHERWISE SPECIFIED DIMENSIONS ARE IN INCHES AND TOLERANCES ARE:</p> <p>XXX .</p> <p>XX .</p> <p>X .</p> <p> .</p>	<p>SIZE</p> <p><b>D 06090</b></p>															
<p>DO NOT SCALE THIS DRAWING</p>	<p>DWG NO</p> <p><b>215M3XX</b></p>															

If this document is printed it becomes uncontrolled. Check for the latest revision.