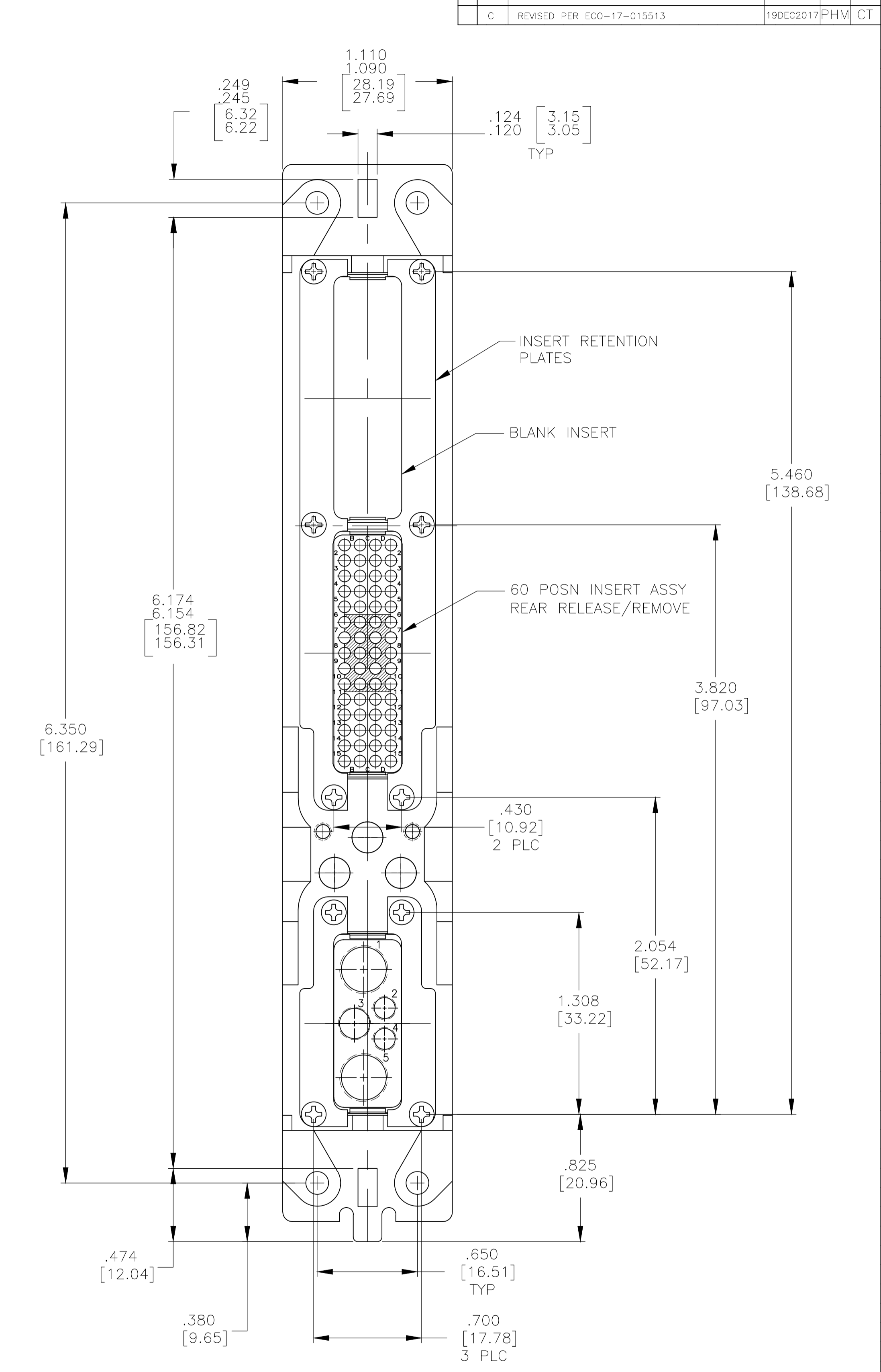
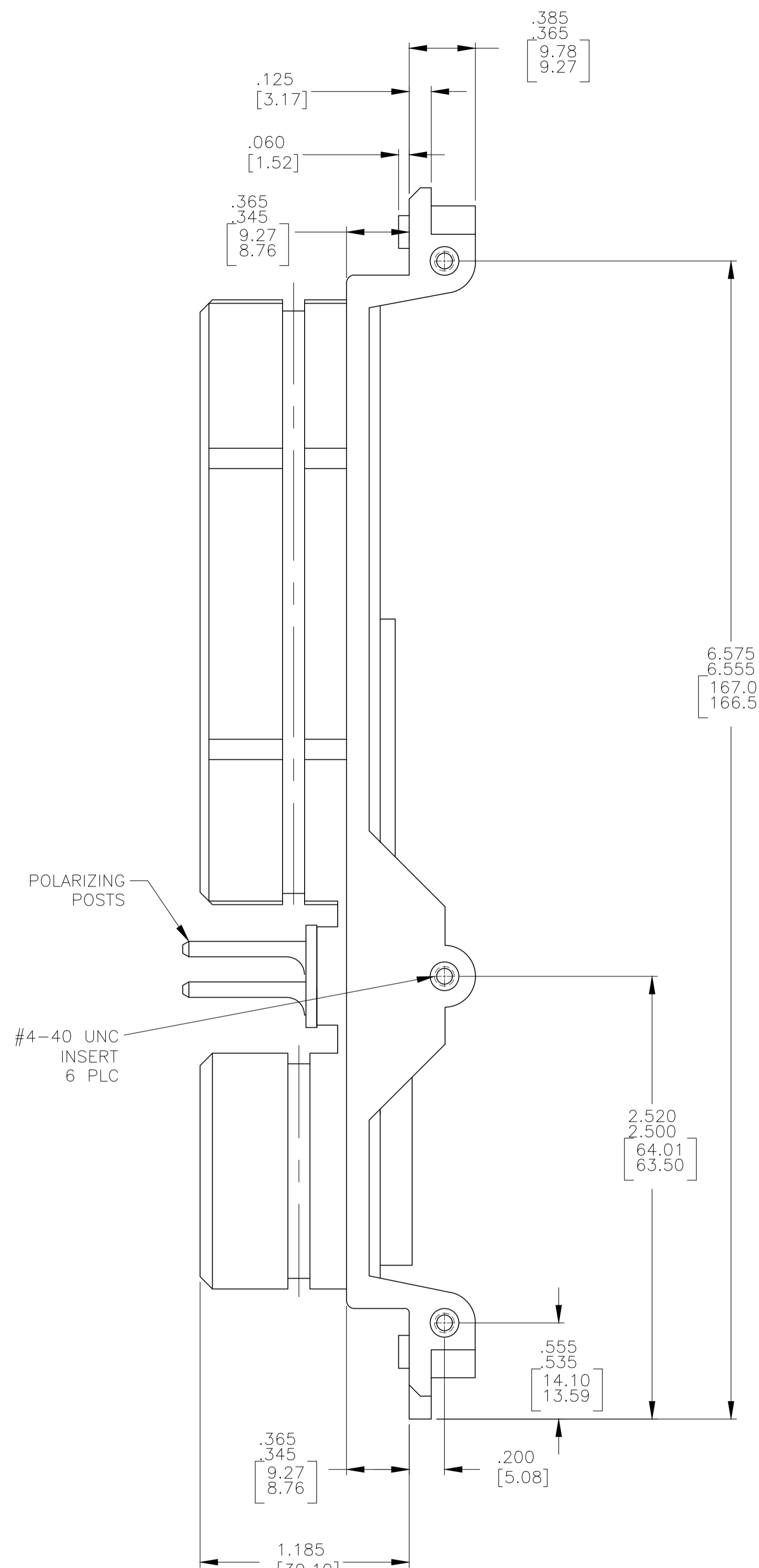
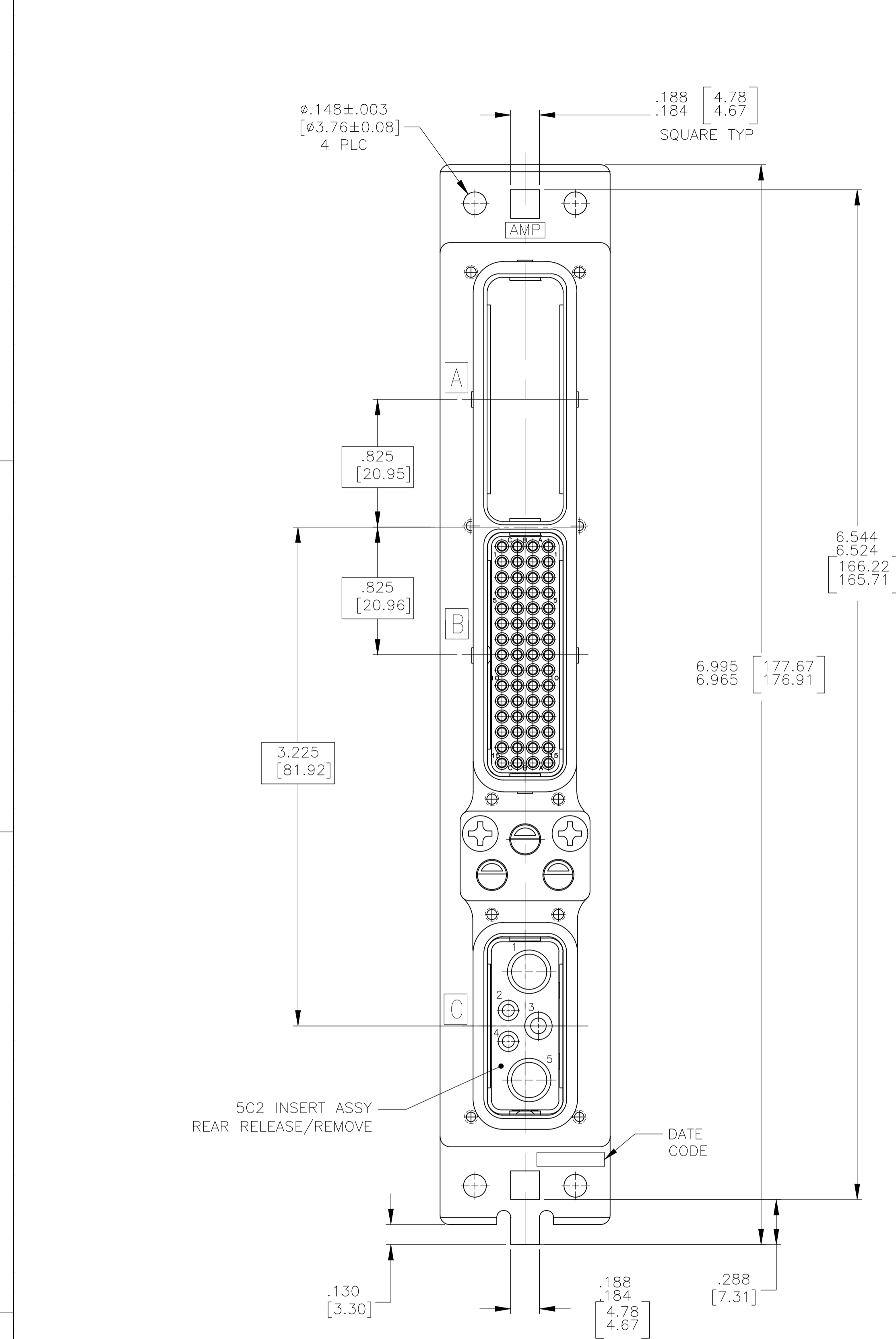


REVISIONS					
P	LTR	DESCRIPTION	DATE	DMN	APVD
C		REVISED PER ECO-17-015513	19DEC2017	PHM	CT



- CONNECTOR DIMENSIONS ARE PER ARINC 600 SPECIFICATION
- FOLLOWING CONTACTS ARE INCLUDED AND NOT LOADED:
 SIZE 22 CRIMP PIN CONTACT: TE P/N 208262-3; QTY: 20
 SIZE 16 CRIMP SOCKET CONTACT: TE P/N 208270-2; QTY: 2
 SIZE 12 CRIMP SOCKET CONTACT: TE P/N 208273-2; QTY: 1
- KEYING SHOWN IN POSITION "01" FOR REFERENCE ONLY. SEE TABLE FOR KEYING POSITION. FOR POSITION "00" KEYING SHIPPED UNASSEMBLED.
- DUST COVER (NOT SHOWN) INSTALLED FOR SHIPPING.

COMPONENT	MATERIAL	FINISH
SHELL	DIE CAST ALUMINUM PER ASTM-B-85	ELECTROLESS NICKEL PER MIL-C-26074 CLASS 4, GRADE B
RETENTION PLATES	ALUMINUM ALLOY PER ASTM-B-209	ELECTROLESS NICKEL PER MIL-C-26074 CLASS 4, GRADE B
SCREWS	STEEL OR STAINLESS STEEL	PASSIVATED
POLARIZING POSTS	ZINC ALLOY PER ASTM-B-86	ELECTROLESS NICKEL PER MIL-C-26074 CLASS 4, GRADE B
POLARIZING POST RETAINING PLATE	ALUMINUM ALLOY PER ASTM-B-209	BLUE ANODIZED PER MIL-A-8625
60 & 5C2 INSERTS	THERMOSET OR THERMOPLASTIC	-
BLANK INSERT	ALUMINUM ALLOY	ELECTROLESS NICKEL

THIS DRAWING IS A CONTROLLED DOCUMENT.

DIMENSIONS: INCHES

TOLERANCES UNLESS OTHERWISE SPECIFIED:

0 PLC	± .005
1 PLC	± .005
2 PLC	± .005
3 PLC	± .005
4 PLC	± .005
ANGLES	± .005

MATERIAL: SEE TABLE

FINISH: SEE TABLE

APVD: C.C. THOMAS	DATE: 8-4-11	TE Connectivity
CHK: W. BERNHART	DATE: 8-4-11	
NAME: W. BERNHART	PRODUCT SPEC: PLUG ASSY, SIZE 1, ARINC 600 (BLANK/60/5C2)	
SIZE: A1	CAGE CODE: 00779	DRAWING NO: 2157641
WEIGHT: -	CUSTOMER DRAWING	RESTRICTED TO: -
SCALE: 2:1	SHEET: 1 OF 1	REV: C