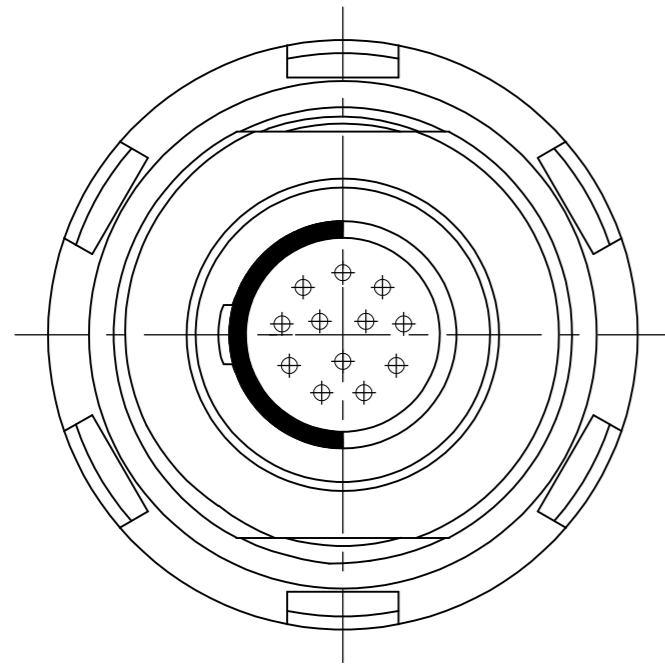
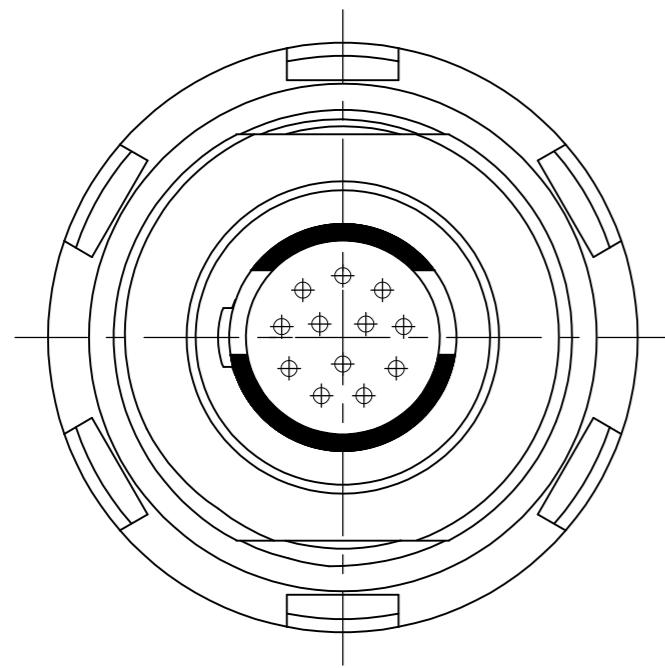
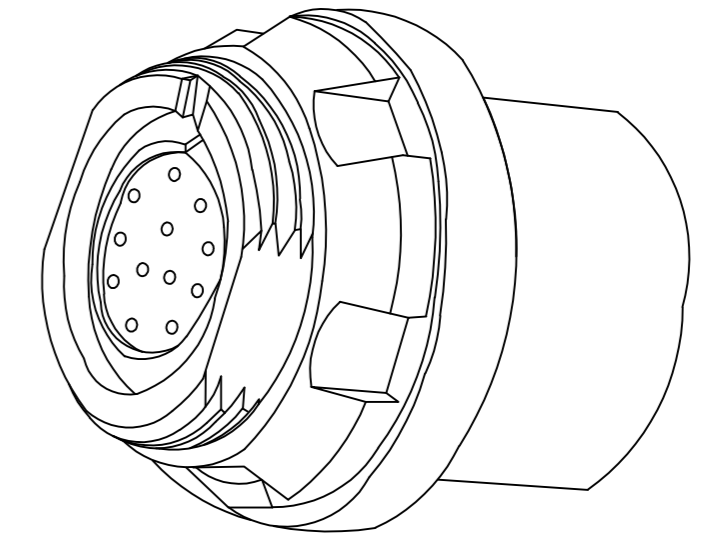
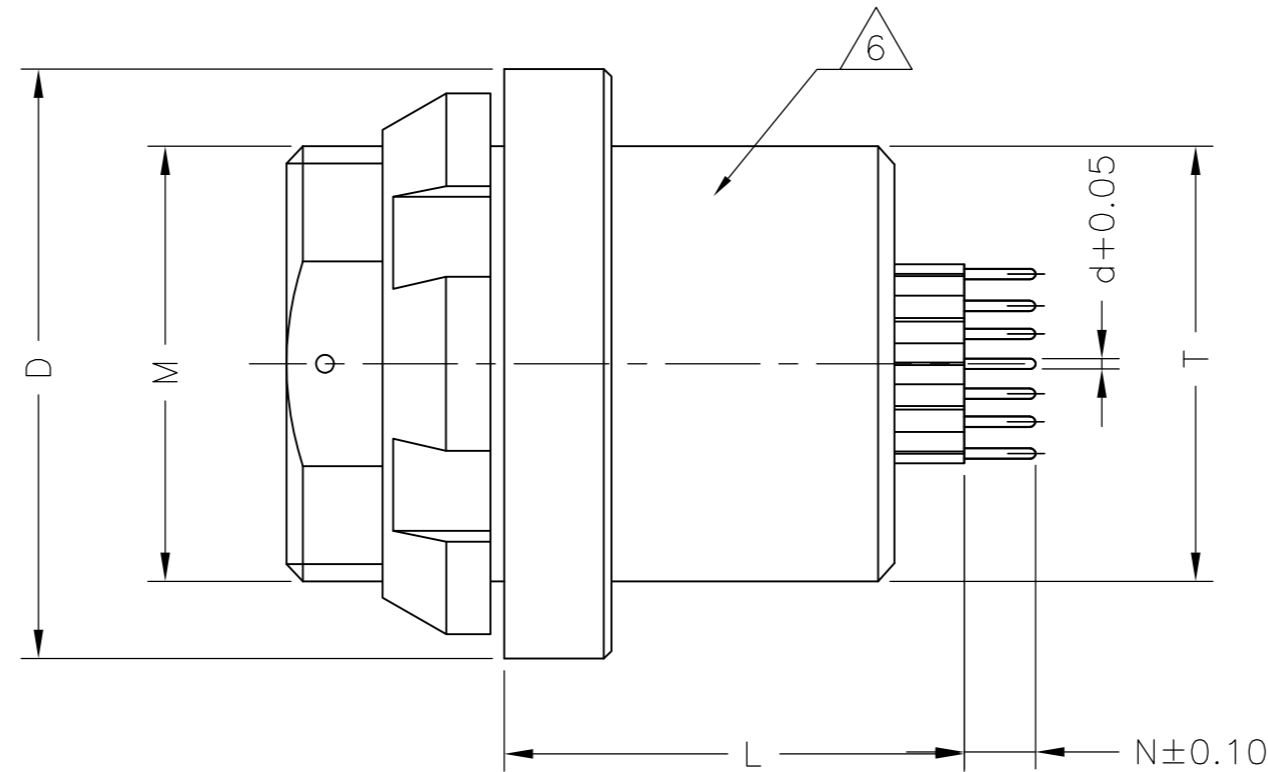


THIS DRAWING IS UNPUBLISHED. RELEASED FOR PUBLICATION
 © COPYRIGHT - By - ALL RIGHTS RESERVED.

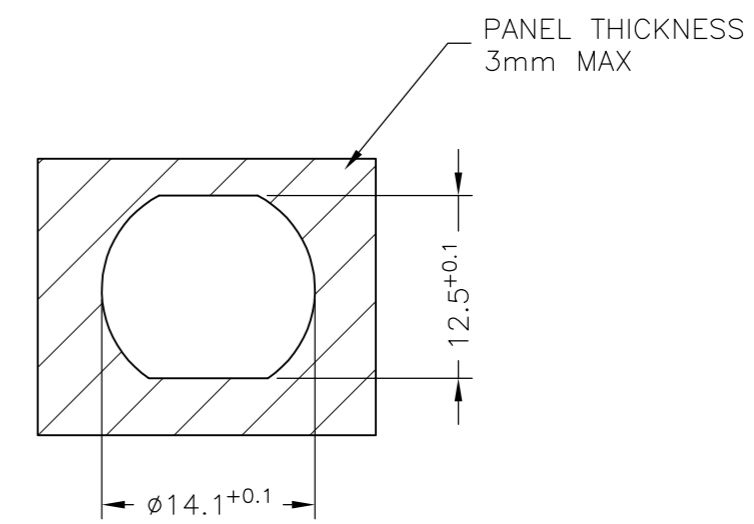
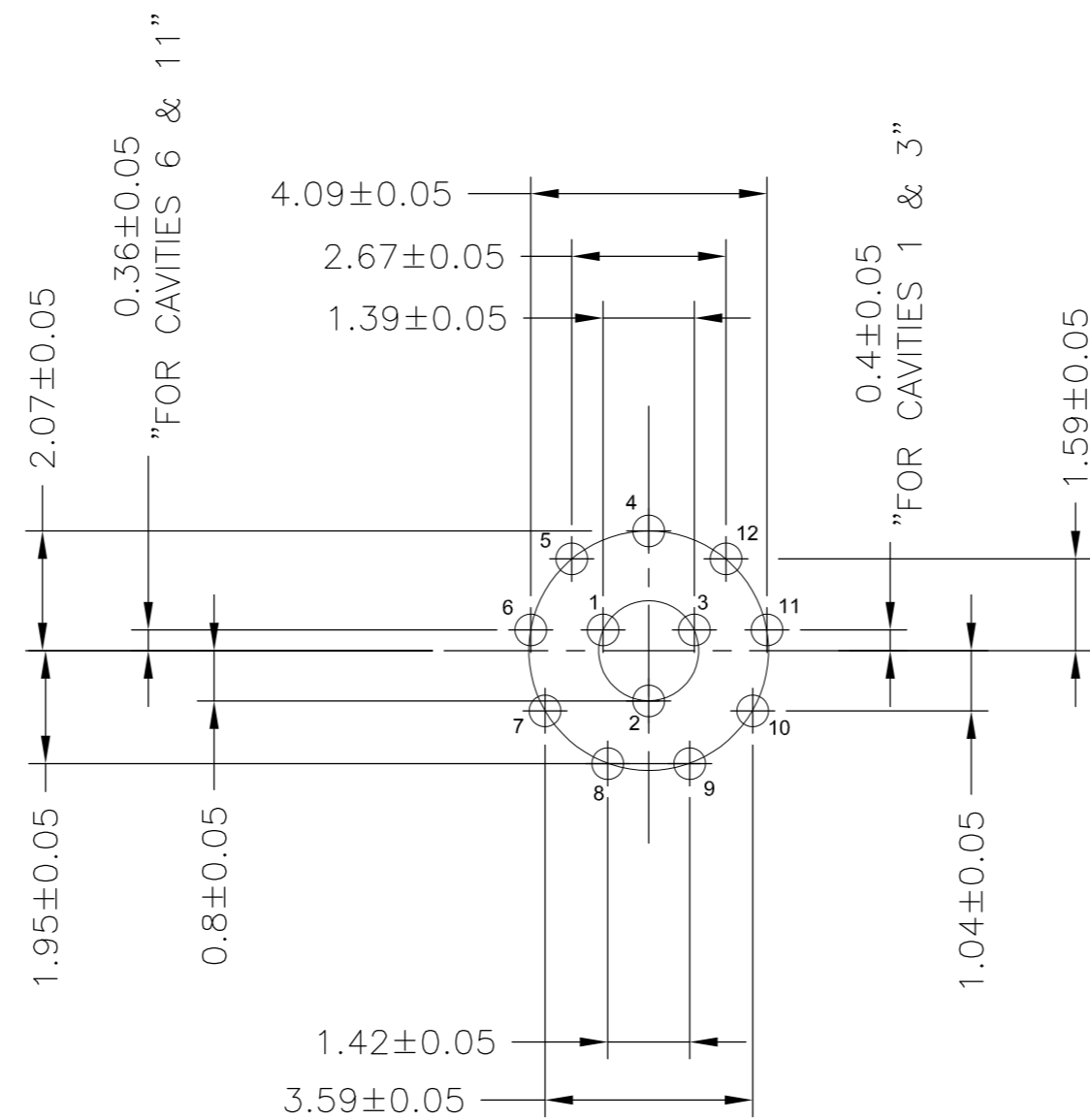
LOC		DIST		REVISIONS			
P	LTR	DESCRIPTION	DATE	DWN	APVD		
C		REVISED PER ECO 13-001843.	08FEB2013	MGM	CT		



SINGLE POLARIZATION



DOUBLE POLARIZATION



PANEL CUTOUT

CAVITY IDENTIFICATION WHEN VIEWED FROM MATING FACE OF CONNECTOR

- 1. DWV RATING: 725 VAC @ SEA LEVEL
- 2. WORKING TEMPERATURE: -55°C ~ +125°C

3 MATERIAL:
 CONTACT : COPPER ALLOY
 SHELL : COPPER ALLOY
 INSULATOR : PEEK
 O RING : SILICONE RUBBER

4 FINISH
 CONTACT: GOLD OVER NICKEL
 SHELL : BLACK CHROMIUM

- 5. WATER PROOF: 1M IMMERSION

6 THE CONNECTOR IS MARKED WITH TE PART NUMBER, CHINA, DATE CODE, AND LOT ID.

7 ALL TOLERANCES ±0.20 UNLESS NOTED.

CHROMIUM-BLACK	DOUBLE	SOLDERING	2.54	∅0.5	15.45	∅14	M14X1	∅18	2	2157538-2
CHROMIUM-BLACK	SINGLE	SOLDERING	2.54	∅0.5	15.45	∅14	M14X1	∅18	2	2157538-1
FINISH	POLARIZATION	TERMINATION	N	d	L	T	M THREAD	D	SHELL SIZE	TE CONNECTIVITY PART NUMBER

THIS DRAWING IS A CONTROLLED DOCUMENT.

DWN	C.C THOMAS	05MAY2011
CHK	R. GROSS	05MAY2011
APVD	R. GROSS	05MAY2011
PRODUCT SPEC	108-127005	
APPLICATION SPEC		
WEIGHT	-	
CUSTOMER DRAWING		

TE Connectivity
 CIRCULAR HD RECEPTACLE WITH SOCKET, JAM NUT, FRONT MOUNTING, STRAIGHT PCB 12 POS.

SIZE	A2	CAGE CODE	00779	DRAWING NO	C=2157538	RESTRICTED TO	-
SCALE	NTS	SHEET	1 of 1	REV	C		