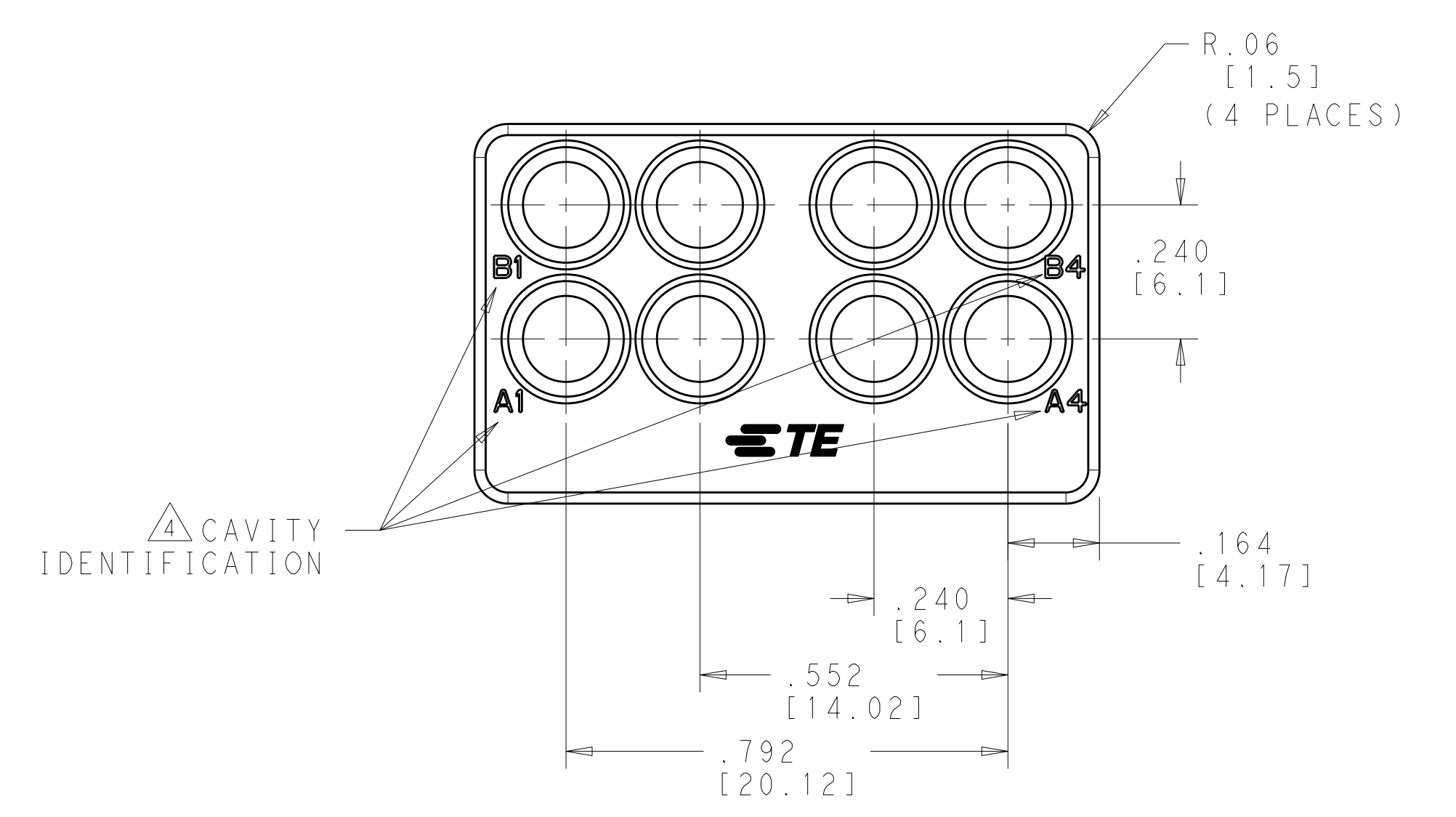
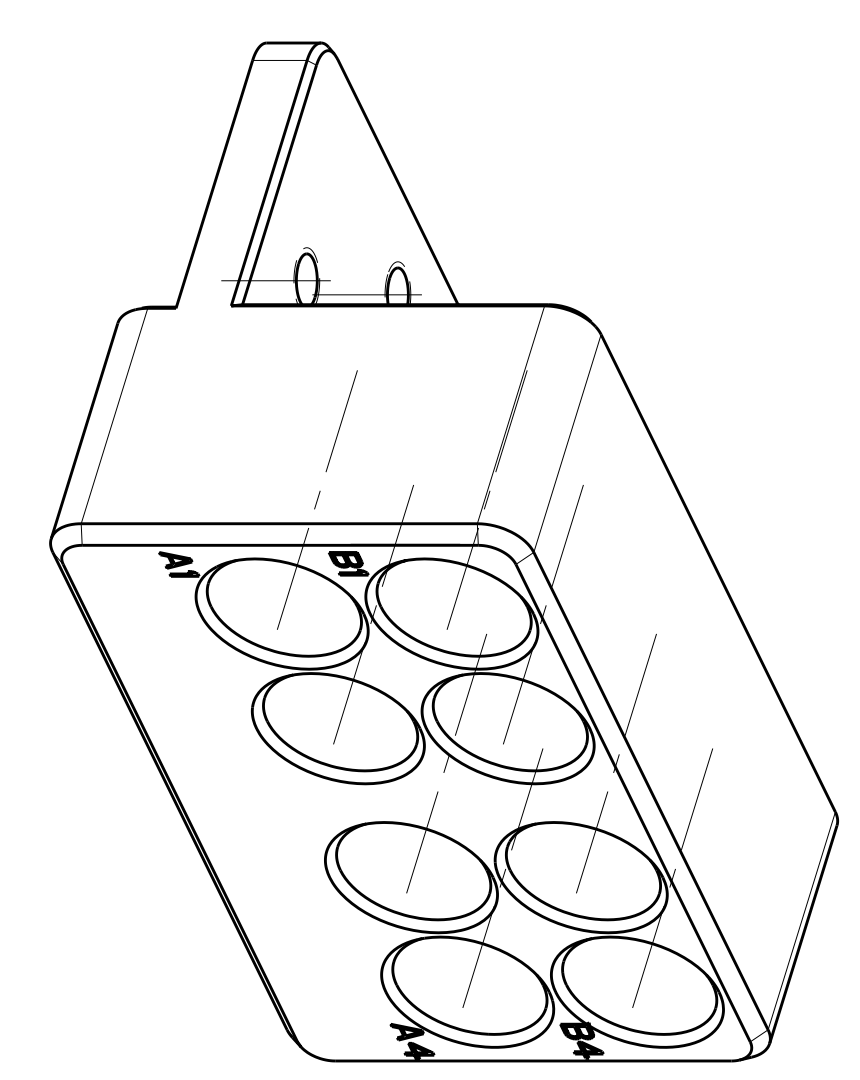
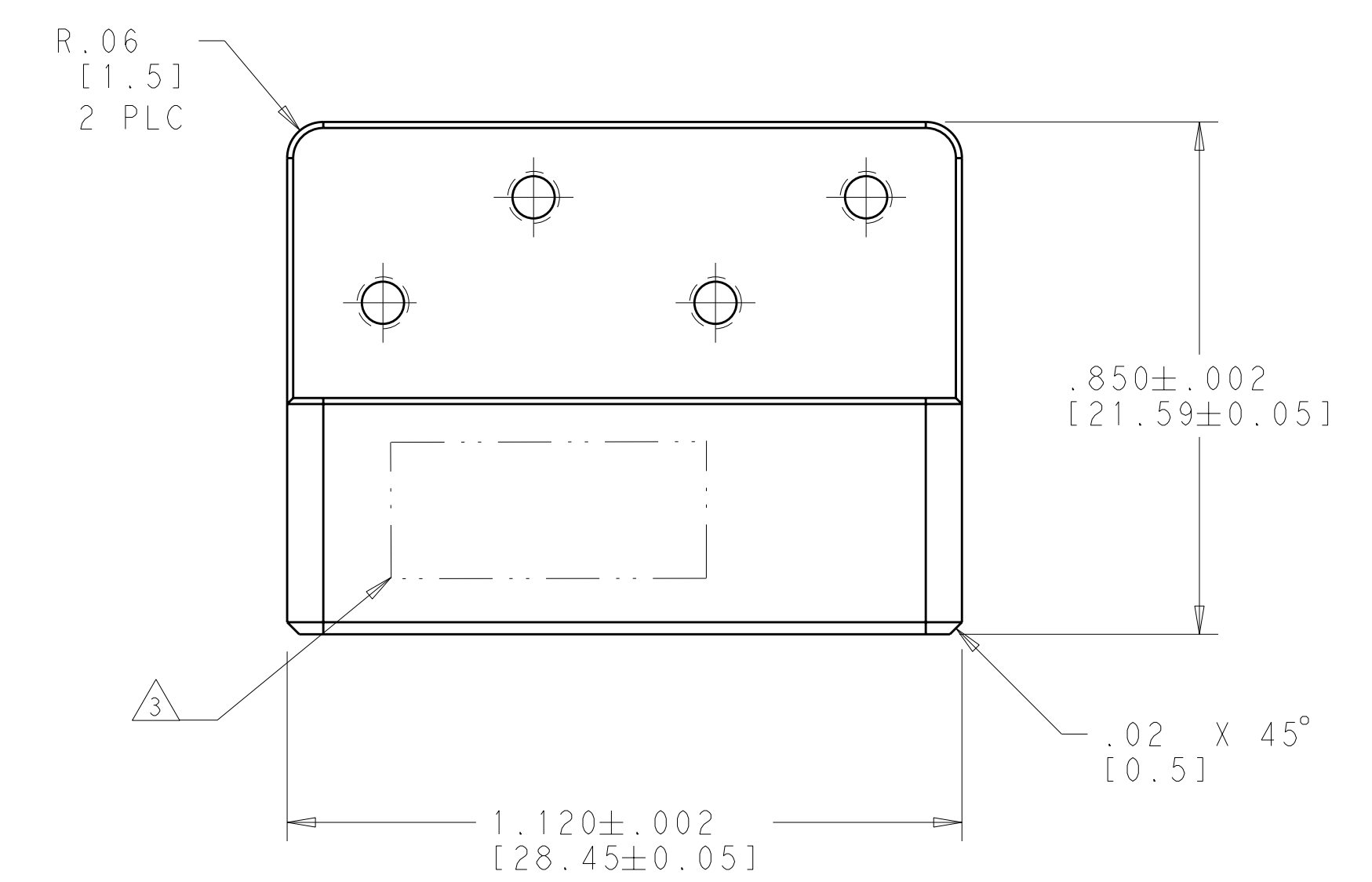
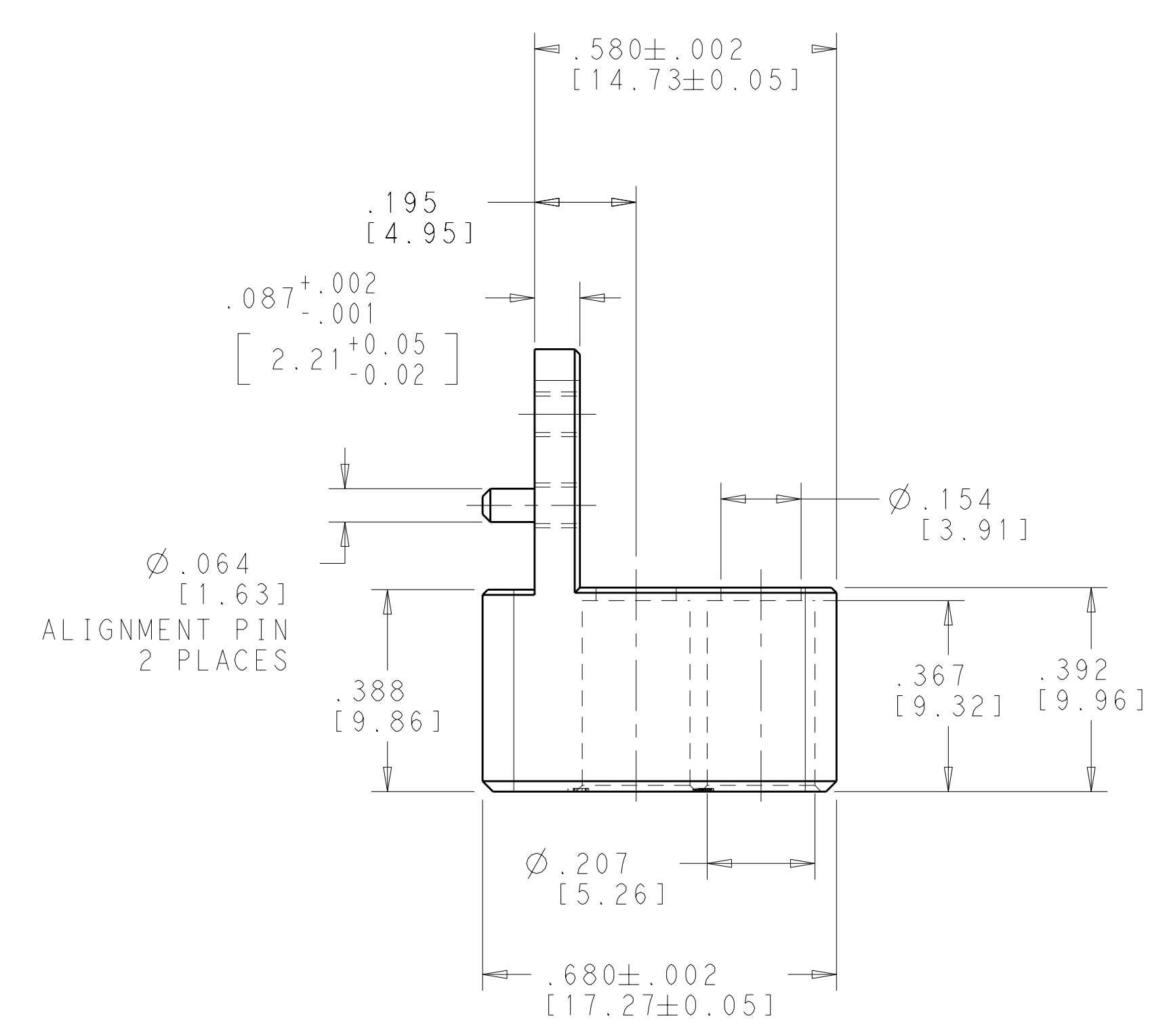
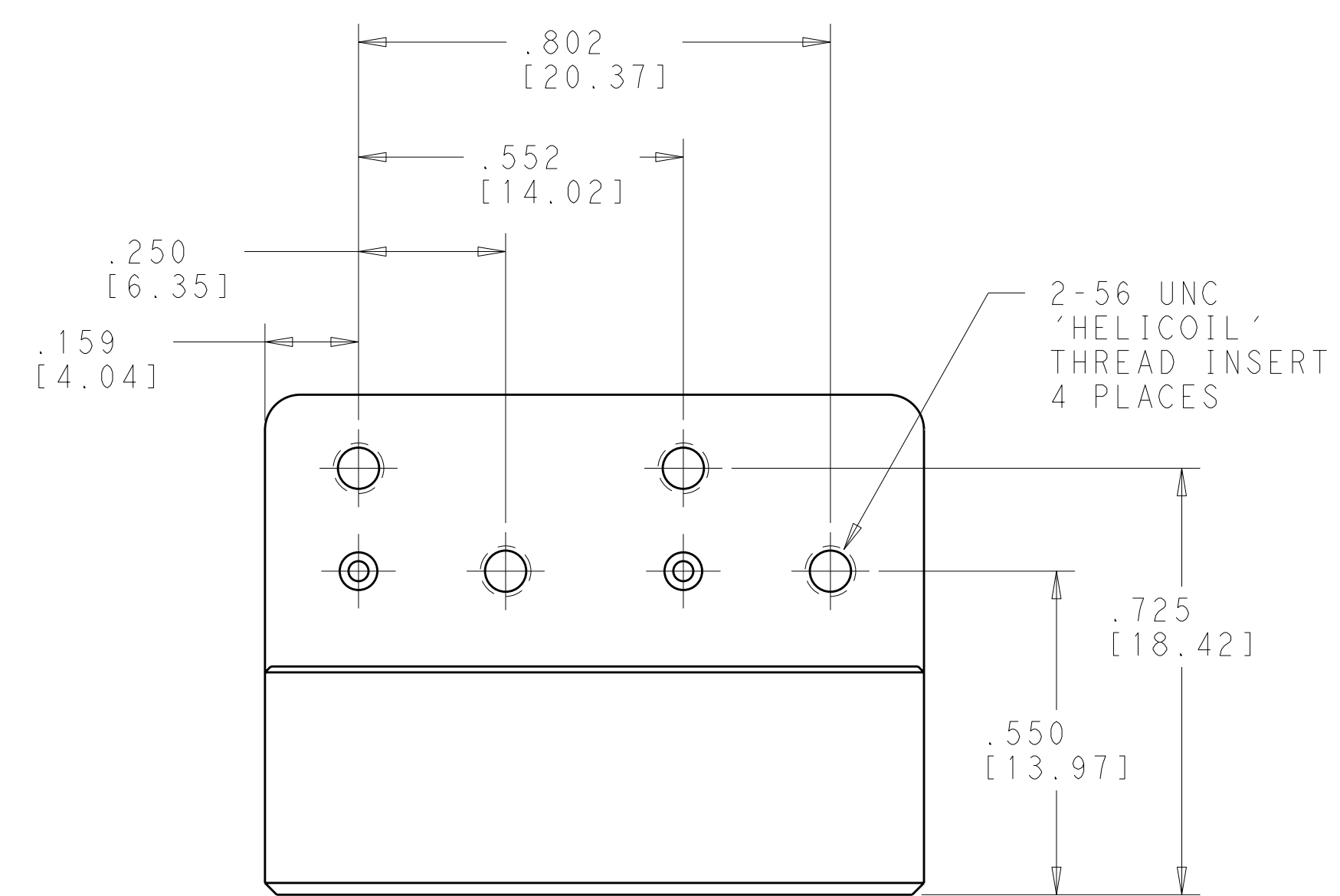


REVISONS		DATE	DWN	APVD
P	LTR			
A		2-21-12	CT	WM



- 1 MATERIAL: ALUMINUM ALLOY 6061-T6, (UNS A96061) PER ASTM B 221
- 2 FINISH: TRIVALENT CHROMATE CONVERSION COATING, PER MIL-DTL-5541F, CLASS 1A, TYPE II
- 3 PART MARKING: TE CONNECTIVITY PART NUMBER, CAGE CODE AND DATE CODE.
- 4 CAVITY IDENTIFICATION MARKING

2157247-4	3 4	2157247-4
N/A	N/A	2157247-3
PART MARKING	MARKING REQUIREMENT	PART NUMBER

THIS DRAWING IS A CONTROLLED DOCUMENT.		DWN: S.T. Morley 07DEC2010	STE TE Connectivity	
DIMENSIONS: INCHES(mm)		CHK: S.T. Morley 07DEC2010	NAME: 8 POSITION RF MODULE, P.C.B. MOUNT VITA 67 DAUGHTER CARD	
TOLERANCES UNLESS OTHERWISE SPECIFIED:		APVD: S.T. Morley 07DEC2010	PRODUCT SPEC: 2-56 UNC-2B THREADED MOUNTING HOLES	
0 PLC ±.1 1 PLC ±.01 2 PLC ±.01 3 PLC ±.001 4 PLC ±.0001 ANGLES ±1.0°		PRODUCT SPEC: -	SIZE: CAGE CODE DRAWING NO: A100779 C=2157247	
MATERIAL: 1		FINISH: 2	WEIGHT: -	RESTRICTED TO: -
CUSTOMER DRAWING		SCALE: 4:1	SHEET: 1 OF 1	REV: A