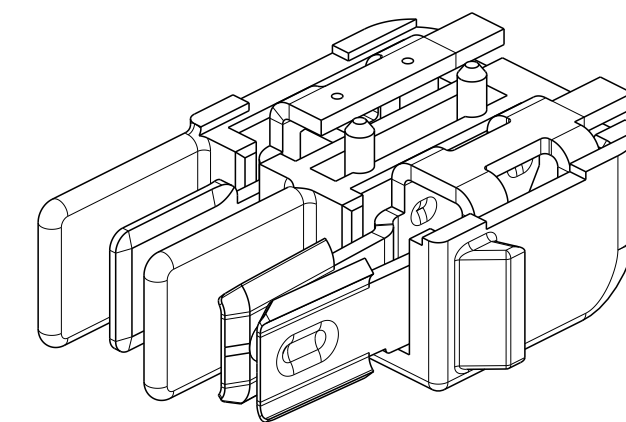
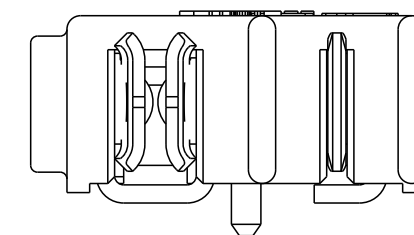
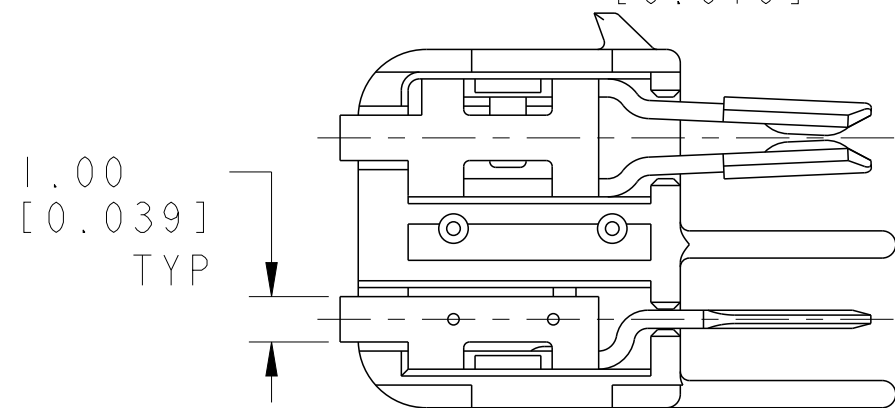
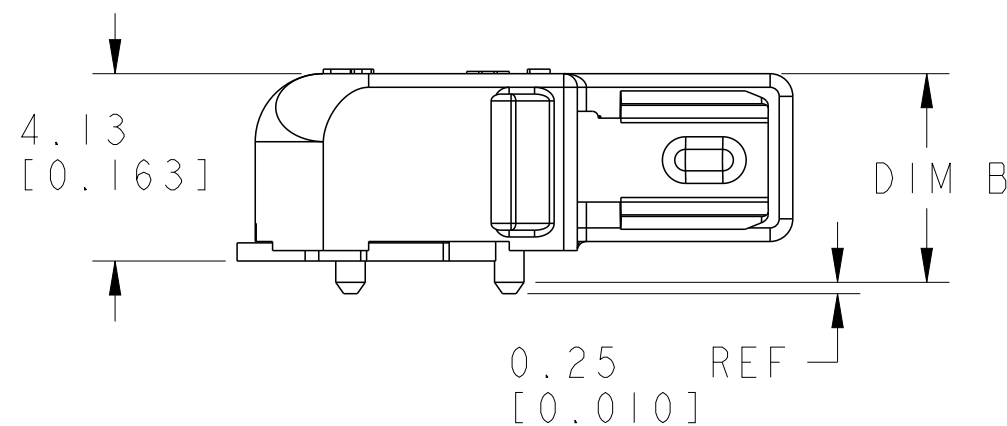
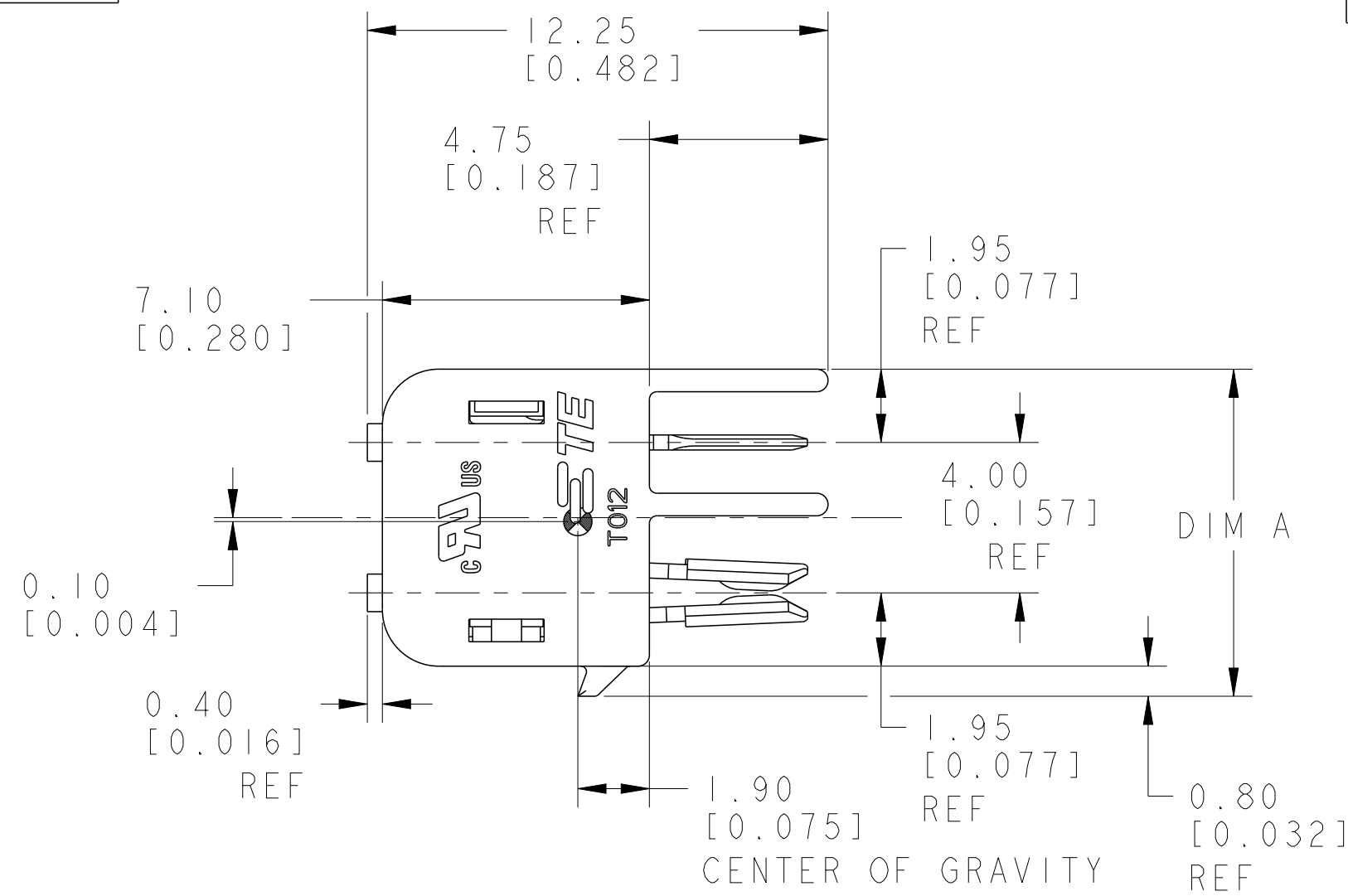


THIS DRAWING IS UNPUBLISHED. RELEASED FOR PUBLICATION 20
 © COPYRIGHT 20 BY - ALL RIGHTS RESERVED.

LOC		DIST		REVISIONS			
P	LTR	DESCRIPTION	DATE	DWN	APVD		
	A1	REVISED PER ECR-13-005787	16APR2013	RS	DD		
	B	REVISED PER ECR-16-012300	26AUG2016	RS	PO		
	B1	REVISED PER ECR-16-016095	16NOV2016	RK	PO		
	B2	REVISED PER ECR-16-017644	28DEC2016	RK	PO		

NOTES:

- 1 MATERIALS AND FINISH
 - HOUSING: LCP
 - CONTACTS: COPPER ALLOY, FINISH: TIN
- 2. PRODUCT TO COMPLY WITH DIRECTIVE 2002/95/EC (ROHS)
- 3. PACKAGED IN TAPE AND REEL PER EIA-481 SPECIFICATIONS
- 4 PRELIMINARY



2154640-1 SHOWN

4	6	BLACK	5.10 [0.201]	24.70	1-2154640-4	
	6	BLACK	4.60 [0.181]	24.70	1-2154640-3	
	4	BLACK	4.60 [0.181]	16.70	1-2154640-2	
	2	BLACK	4.60 [0.181]	8.70	1-2154640-1	
4	6	NATURAL	5.10 [0.201]	24.70	2154640-4	
	6	NATURAL	4.60 [0.181]	24.70	2154640-3	
	4	NATURAL	4.60 [0.181]	16.70	2154640-2	
	2	NATURAL	4.60 [0.181]	8.70	2154640-1	
		POSITION	COLOR	DIM B	DIM A	PART NO.

THIS DRAWING IS A CONTROLLED DOCUMENT.

DWN: ARAVINDA S. 28APRIL2011
 CHK: D. DECKER 28APRIL2011
 APVD: D. DECKER

STE TE Connectivity

NAME: CONNECTOR ASSEMBLY, HERMAPHRODITIC BLADE AND RECEPTACLE, WITH LATCH AND BOSS

PRODUCT SPEC: 108-2342
 APPLICATION SPEC: 114-13225

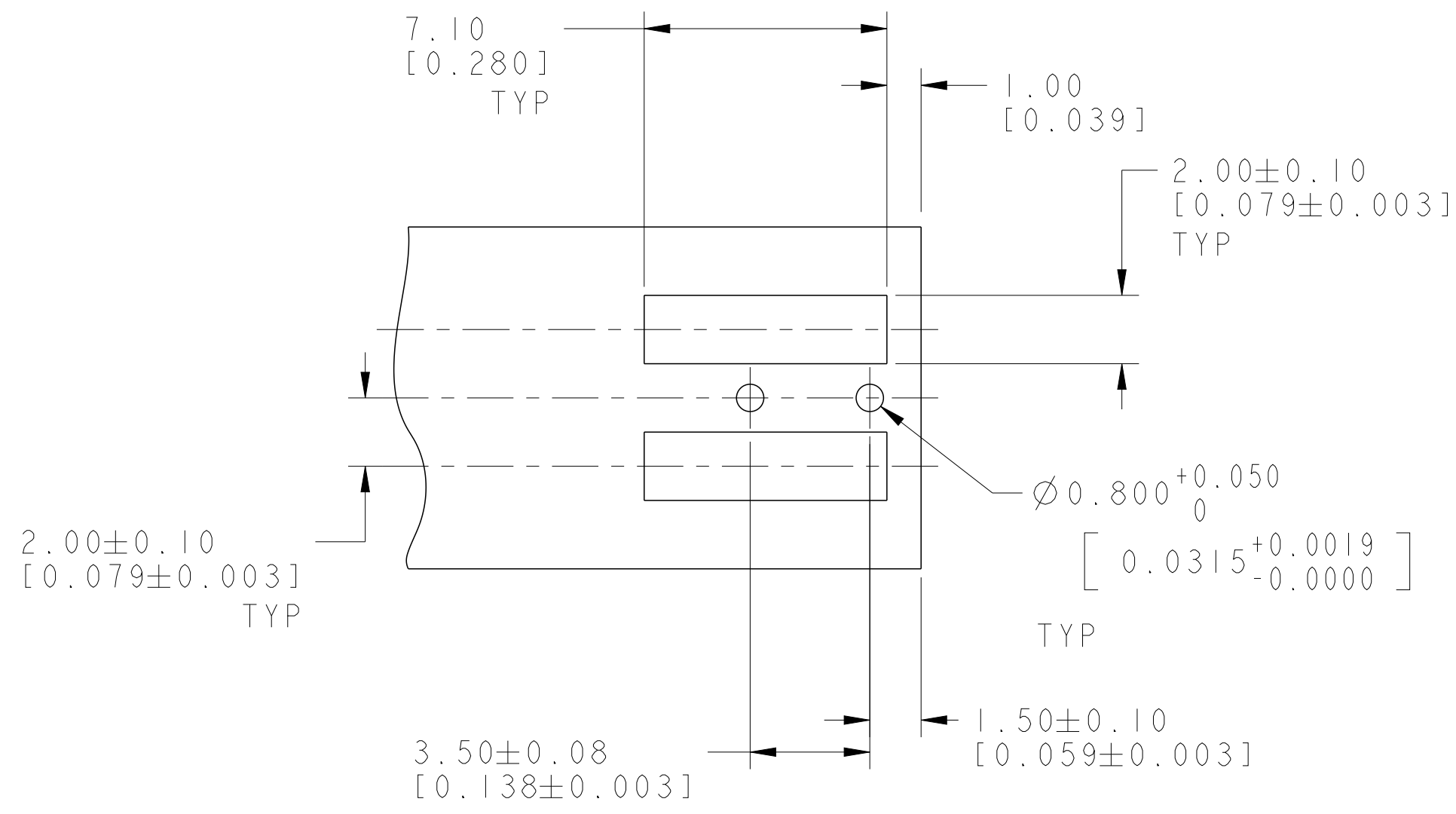
SIZE: A2 CAGE CODE: 00779 DRAWING NO: C-2154640 RESTRICTED TO: -

MATERIAL: TOLERANCES UNLESS OTHERWISE SPECIFIED:
 0 PLC ±
 1 PLC ±
 2 PLC ±0.13
 3 PLC ±0.013
 4 PLC ±
 ANGLES ±1°
 FINISH

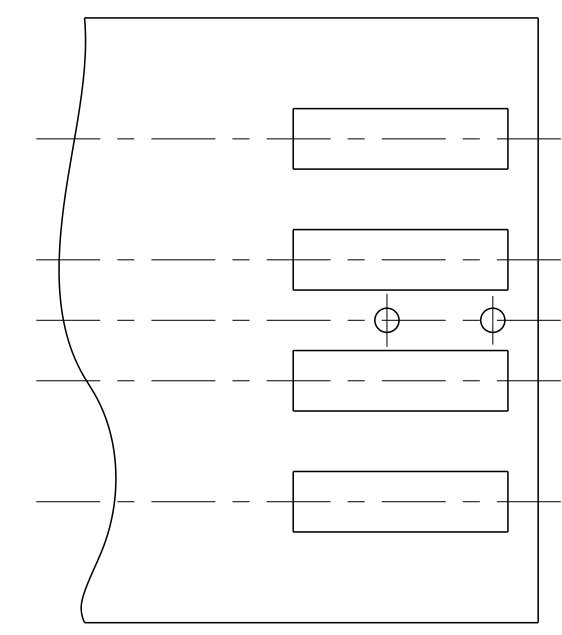
CUSTOMER DRAWING SCALE: 5:1 SHEET 1 OF 3 REV: B2

THIS DRAWING IS UNPUBLISHED. RELEASED FOR PUBLICATION 20
 © COPYRIGHT 20 BY - ALL RIGHTS RESERVED.

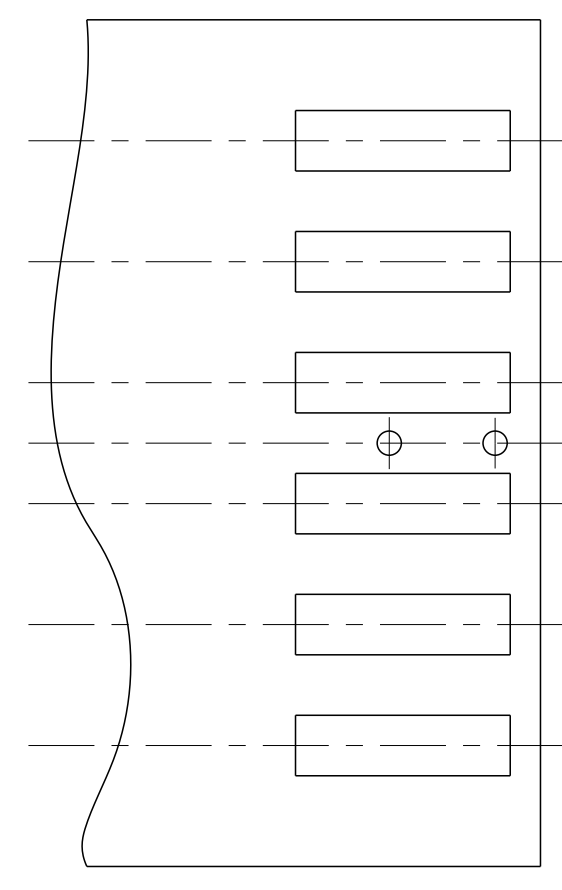
LOC		DIST		REVISIONS			
P	LTR	DESCRIPTION	DATE	DWN	APVD		
-	-	SEE SHEET 1	-	-	-		



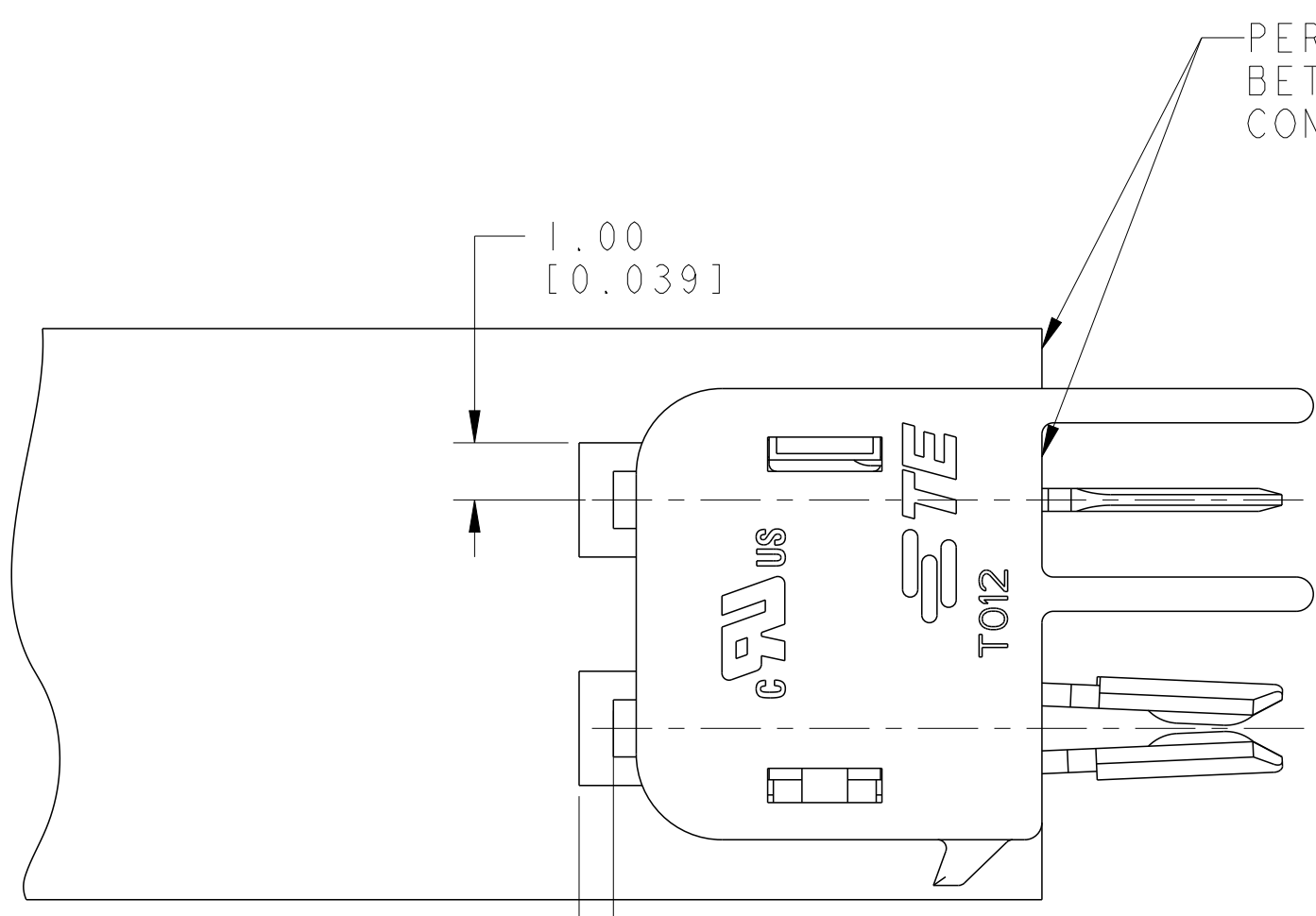
RECOMMENDED PCB LAYOUT FOR 2154640-1 & 1-2154640-1



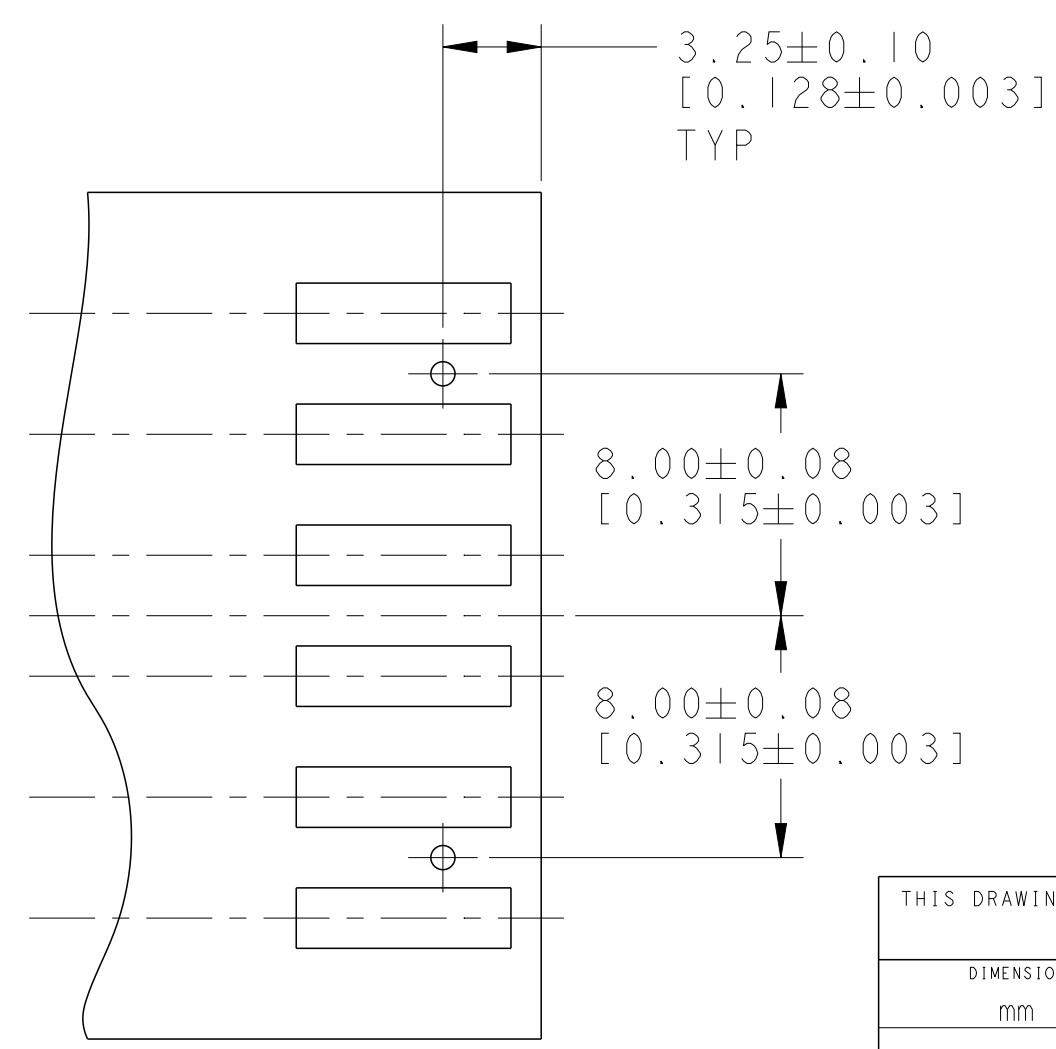
RECOMMENDED PCB LAYOUT FOR 2154640-2 & 1-2154640-2



RECOMMENDED PCB LAYOUT FOR 2154640-3 & 1-2154640-3



SCALE 8:1

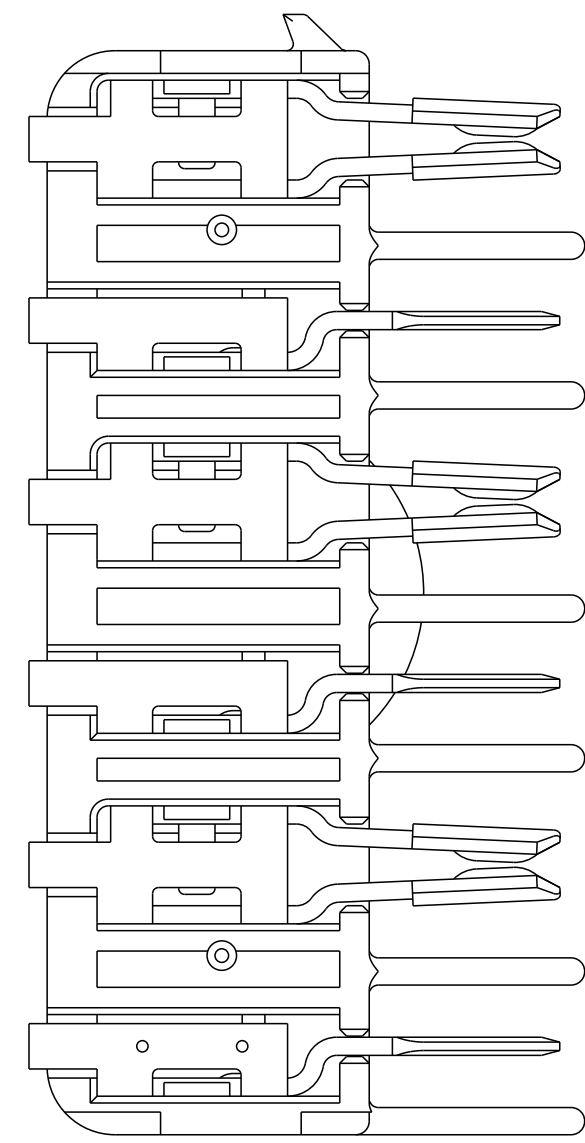
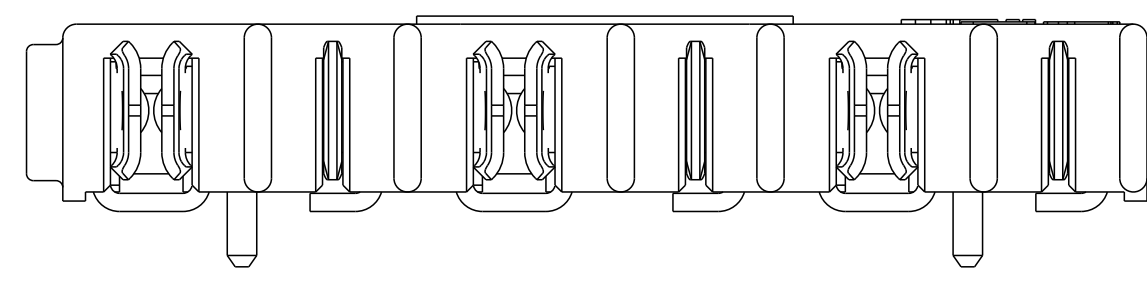
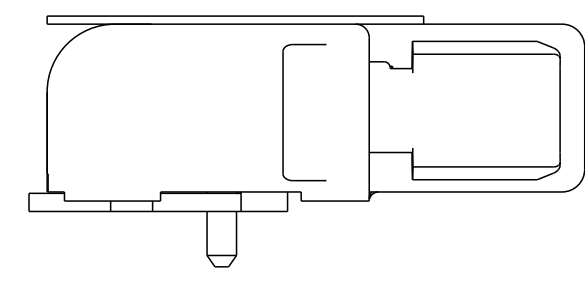
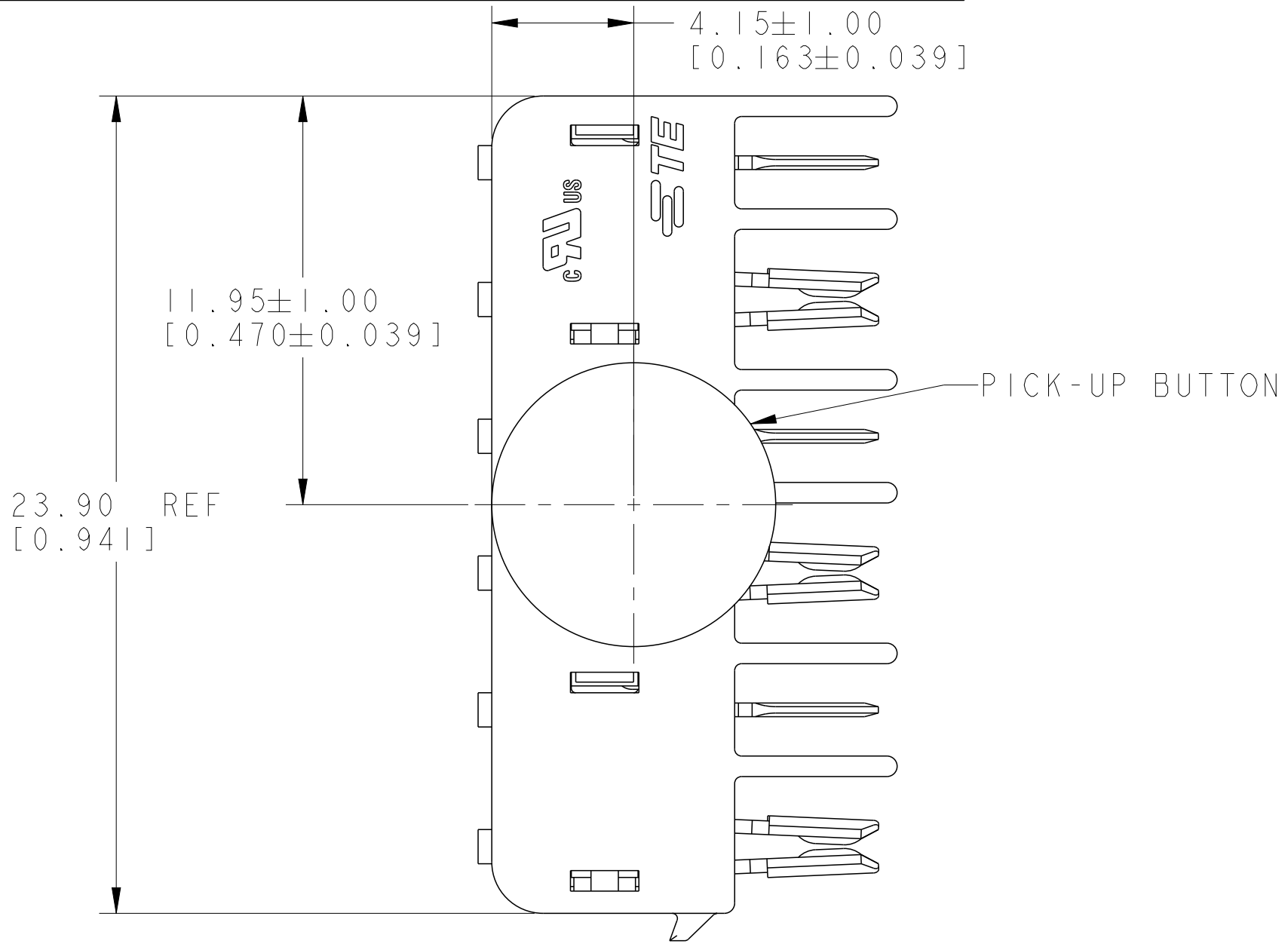


RECOMMENDED PCB LAYOUT FOR 2154640-4 & 1-2154640-4


THIS DRAWING IS A CONTROLLED DOCUMENT.		DWN 28APRIL2011 ARAVINDA S	TE Connectivity	
		CHK 28APRIL2011 D. DECKER		
DIMENSIONS: mm		APVD -	NAME	
TOLERANCES UNLESS OTHERWISE SPECIFIED:		PRODUCT SPEC	CONNECTOR ASSEMBLY, HERMAPHRODITIC BLADE AND RECEPTACLE, WITH LATCH AND BOSS	
0 PLC ±-		108-2342	SIZE	CAGE CODE
1 PLC ±-		APPLICATION SPEC	A200779	DRAWING NO
2 PLC ±0.13		114-13225	C-2154640	
3 PLC ±0.013		WEIGHT -	SCALE 5:1	SHEET 2 OF 3
4 PLC ±-		CUSTOMER DRAWING	REV B2	
ANGLES ±1°				
FINISH				

THIS DRAWING IS UNPUBLISHED. RELEASED FOR PUBLICATION 20
 © COPYRIGHT 20 BY - ALL RIGHTS RESERVED.

LOC		DIST		REVISIONS			
P	LTR	DESCRIPTION		DATE	DWN	APVD	
-	-	SEE SHEET 1		-	-	-	



2154640-4, 1-2154640-4
SHOWN

THIS DRAWING IS A CONTROLLED DOCUMENT.		DWN ARAVINDA S 28 APRIL 2011	 TE Connectivity	
DIMENSIONS: mm		CHK D. DECKER 28 APRIL 2011		
TOLERANCES UNLESS OTHERWISE SPECIFIED:		APVD D. DECKER	NAME CONNECTOR ASSEMBLY, HERMAPHRODITIC BLADE AND RECEPTACLE, WITH LATCH AND BOSS	
0 PLC ±-		PRODUCT SPEC 108-2342	SIZE	RESTRICTED TO
1 PLC ±-		APPLICATION SPEC 114-13225	CAGE CODE A200779	DRAWING NO C-2154640
2 PLC ±0.13		WEIGHT -	SCALE 6:1	
3 PLC ±0.013		CUSTOMER DRAWING	REV B2	
4 PLC ±				
ANGLES ±1°				
FINISH				