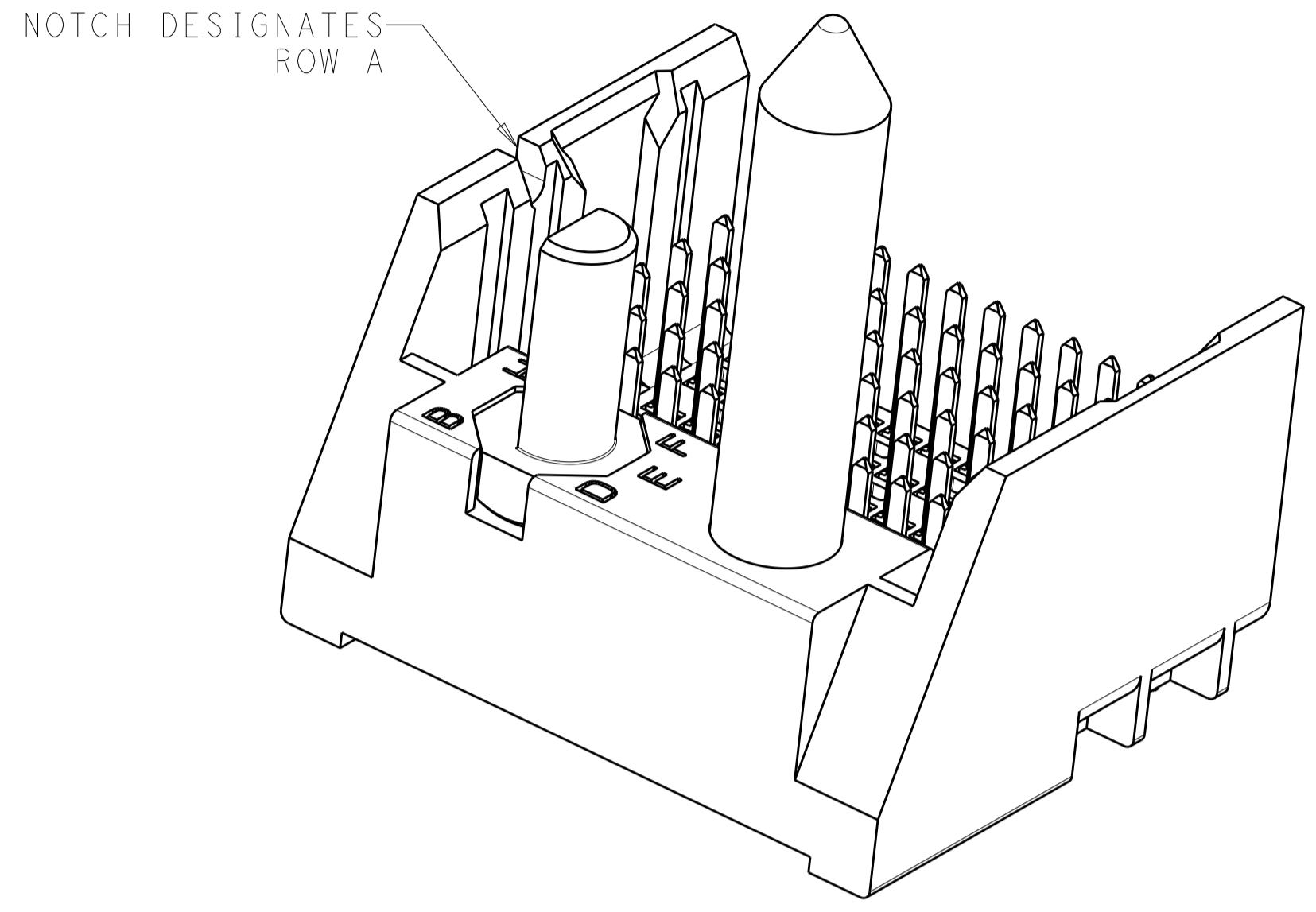
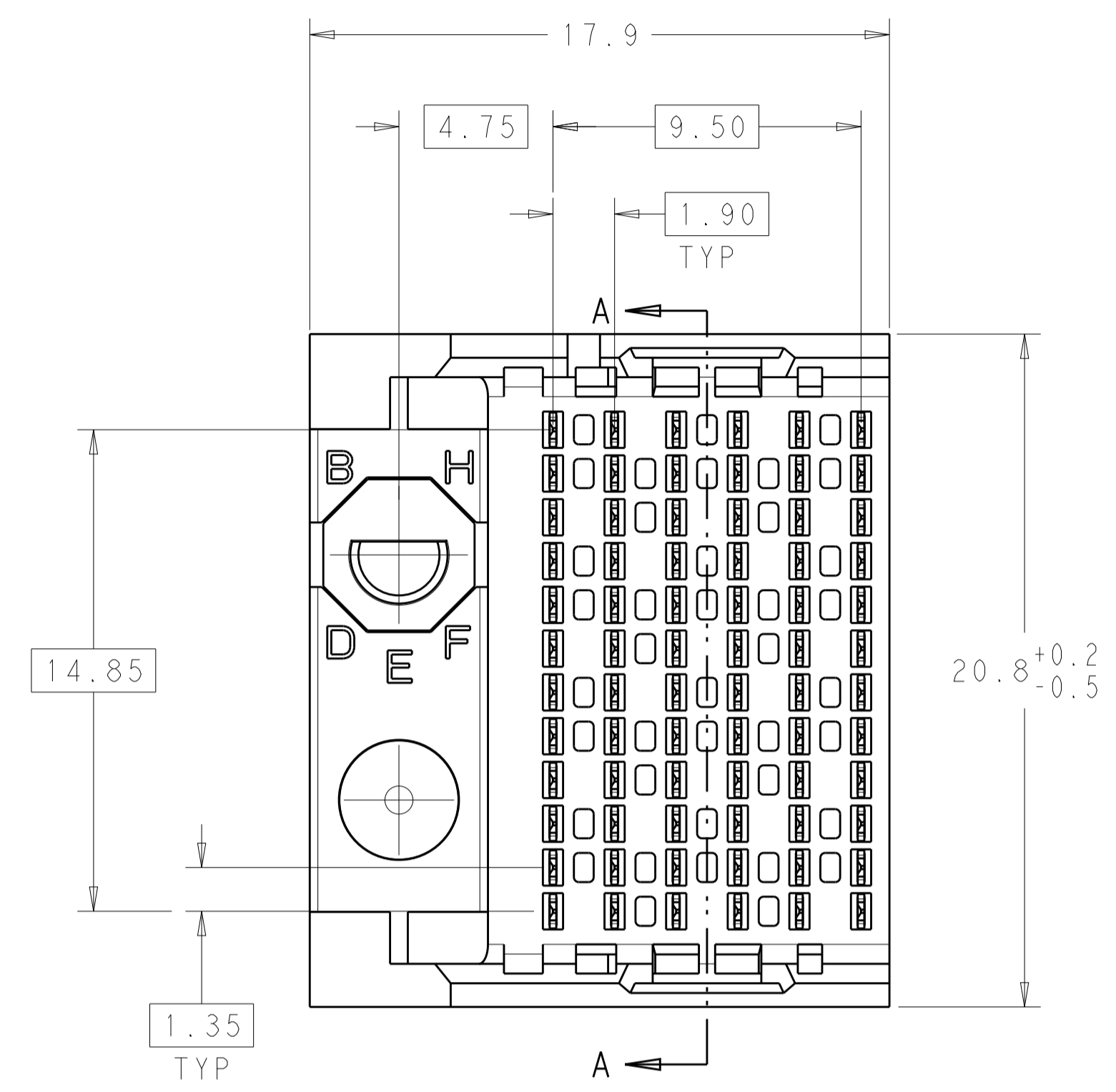
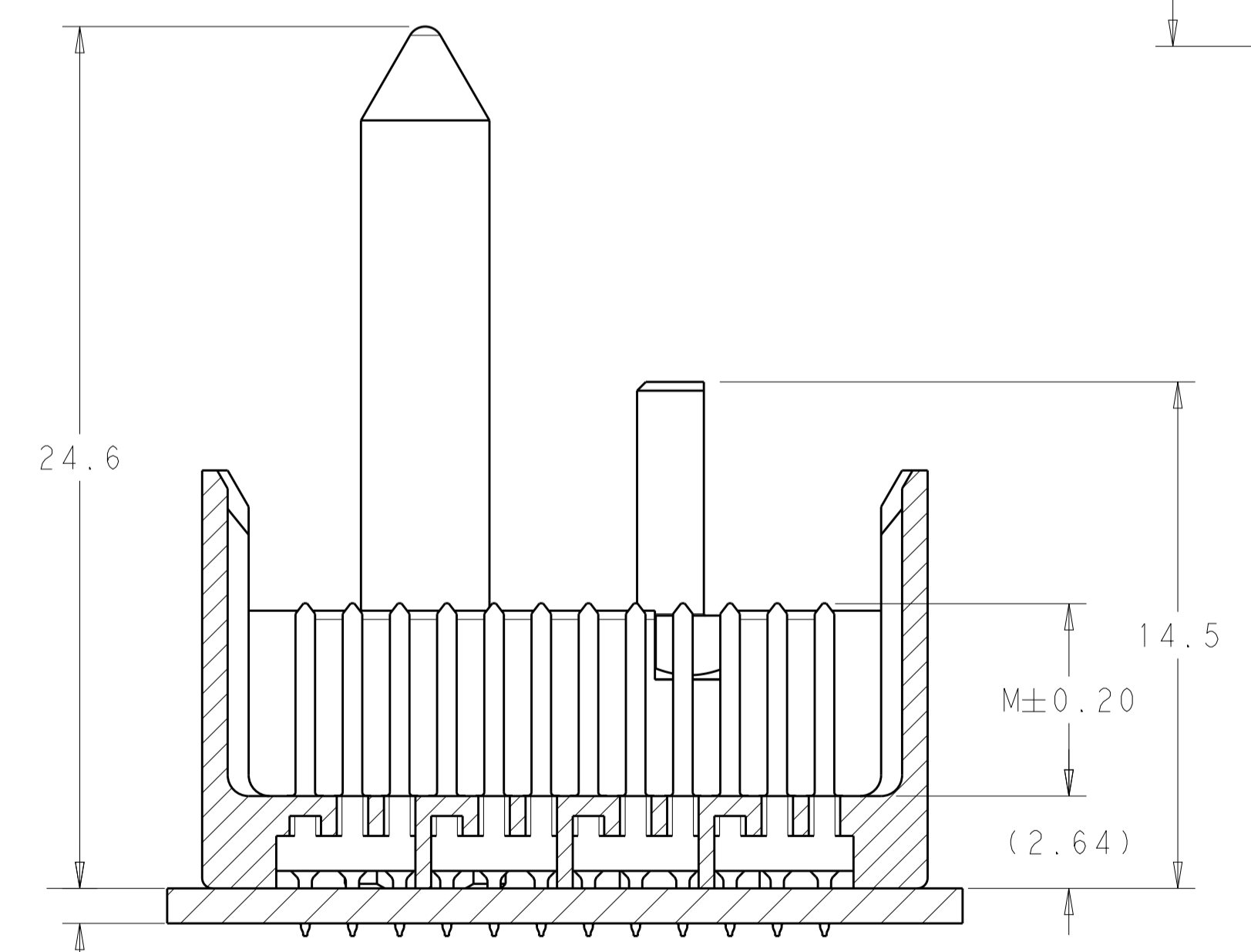
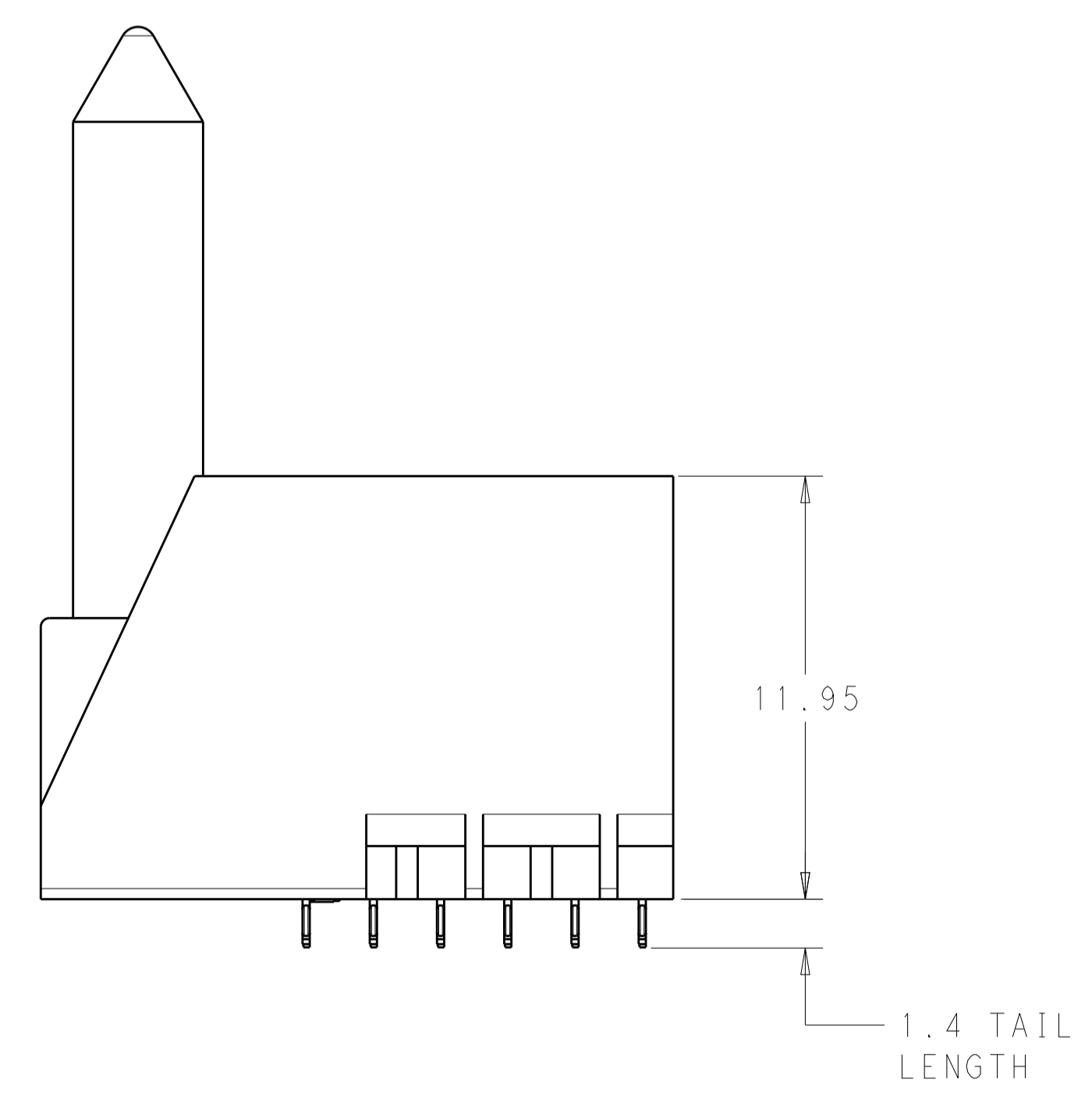
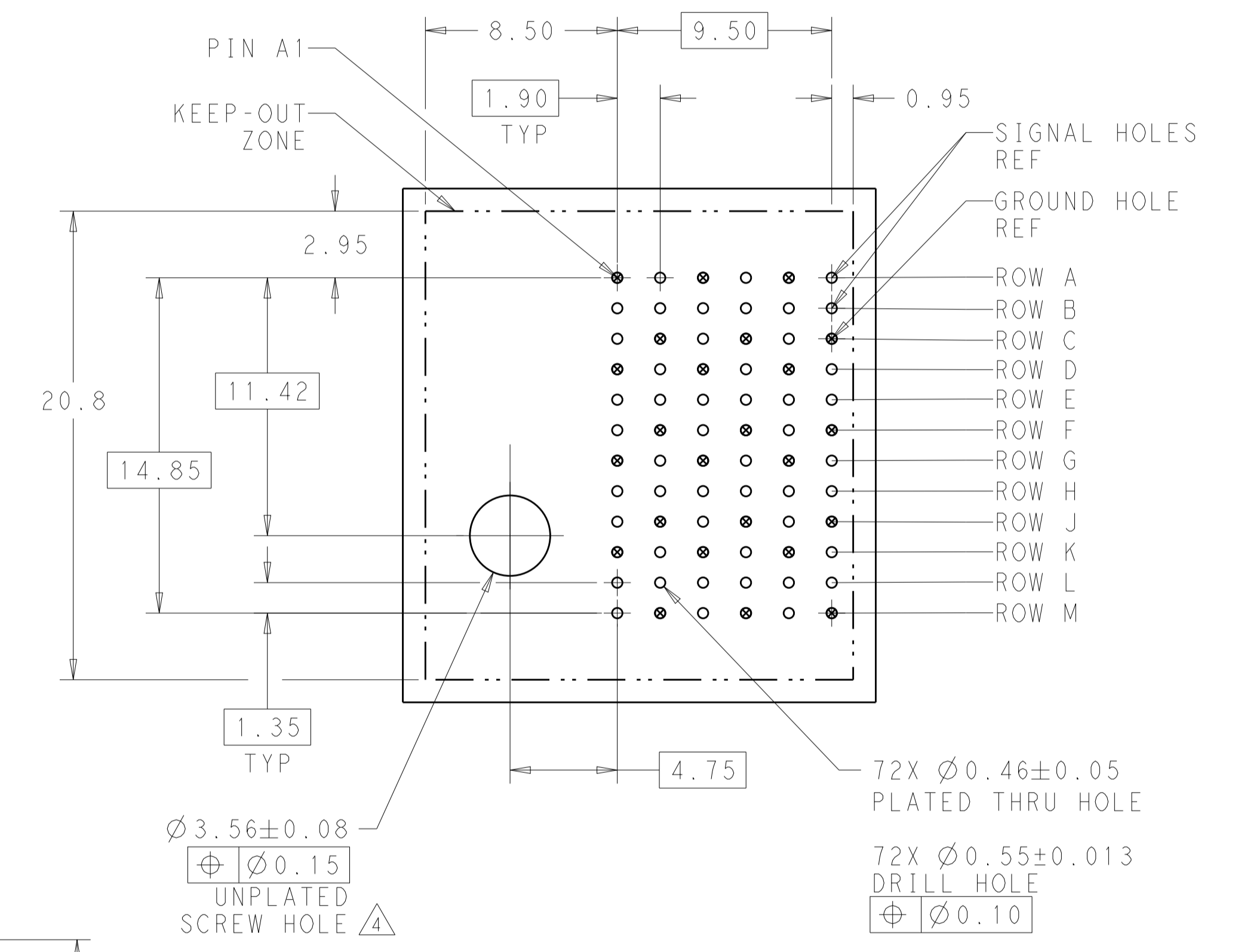


LOC		DIST		REVISIONS			
AD	00	P	LTN	DESCRIPTION	DATE	DMN	APVD
		A1		REVISED PER ECO-15-001494	06FEB2015	AP	DD



- 1 MATERIAL:  
HOUSING: LCP, GLASS FILLED, UL94V-0.  
TERMINALS: HIGH PERFORMANCE COPPER ALLOY.
- 2 FINISH:  
30μ" MIN GOLD IN CONTACT AREA. SELECTIVE TIN ON PCB TAILS, NICKEL OVERALL.
- 3. SCREWS PACKAGED IN END OF PACKAGING TUBE.
- 4 FOR GROUNDED GUIDE PIN USE  $\varnothing 3.56 \pm 0.08$  PTH,  $\varnothing 3.66$  DRILL, AND  $\varnothing 6.5$  PAD.
- 5. KEYING PIN SHOWN IN POSITION A, SEE KEYING CHART ON SHEET 2 FOR OTHER POSITIONS.



LEFT GUIDED BACKPLANE HOLE PATTERN (CONNECTOR SIDE)

THIS DRAWING IS A CONTROLLED DOCUMENT.		DMN R. GRZYBOWSKI 06JUN2011	TE Connectivity
DIMENSIONS: mm		CHK J. EARY 06JUN2011	
TOLERANCES UNLESS OTHERWISE SPECIFIED:		APVD J. EARY 06JUN2011	NAME IMPACT, 4 PAIR, 6 COLUMN, HEADER LEFT GUIDED, OPEN END WALL SIGNAL MODULE, 0.46 PTH
0 PLC ± 1 PLC ±0.25 2 PLC ±0.13 3 PLC ± 4 PLC ± ANGLES ±		PRODUCT SPEC	SIZE A100779C=2149986
MATERIAL SEE TABLE		APPLICATION SPEC	RESTRICTED TO
FINISH SEE TABLE		WEIGHT	SCALE 6:1 SHEET 1 OF 2 REV A1
CUSTOMER DRAWING			

LOC	DIST	REVISIONS			
P	LTN	DESCRIPTION	DATE	DMN	APVD
-	-	SEE SHEET 1	-	-	-



	H	5.5	8-2149986-3
	H	4.9	8-2149986-2
	H	4.5	8-2149986-1
	G	5.5	7-2149986-3
	G	4.9	7-2149986-2
	G	4.5	7-2149986-1
	F	5.5	6-2149986-3
	F	4.9	6-2149986-2
	F	4.5	6-2149986-1
	E	5.5	5-2149986-3
	E	4.9	5-2149986-2
	E	4.5	5-2149986-1
	D	5.5	4-2149986-3
	D	4.9	4-2149986-2
	D	4.5	4-2149986-1
	C	5.5	3-2149986-3
	C	4.9	3-2149986-2
	C	4.5	3-2149986-1
	B	5.5	2-2149986-3
	B	4.9	2-2149986-2
	B	4.5	2-2149986-1
	A	5.5	1-2149986-3
	A	4.9	1-2149986-2
	A	4.5	1-2149986-1
	-	5.5	2149986-3
	-	4.9	2149986-2
	-	4.5	2149986-1
FINISH	KEY POSITION	DIM M	PART NUMBER

REFER TO WWW.TE.COM  
FOR PRODUCT AVAILABILITY

THIS DRAWING IS A CONTROLLED DOCUMENT.		DMN R. GRZYBOWSKI	06 JUN 2011	<b>TE</b> Connectivity
DIMENSIONS:		CHK J. EARY	06 JUN 2011	
mm	TOLERANCES UNLESS OTHERWISE SPECIFIED:	APVD J. EARY	06 JUN 2011	NAME IMPACT, 4 PAIR, 6 COLUMN, HEADER LEFT GUIDED, OPEN END WALL SIGNAL MODULE, 0.46 PTH
	0 PLC ±0.25 2 PLC ±0.13 3 PLC ±0.13 4 PLC ±0.13 ANGLES ±0.13	PRODUCT SPEC	APPLICATION SPEC	
MATERIAL	FINISH SEE TABLE	WEIGHT	CUSTOMER DRAWING	SIZE A1
SCALE 5:1		SHEET 2 OF 2	REV A1	RESTRICTED TO