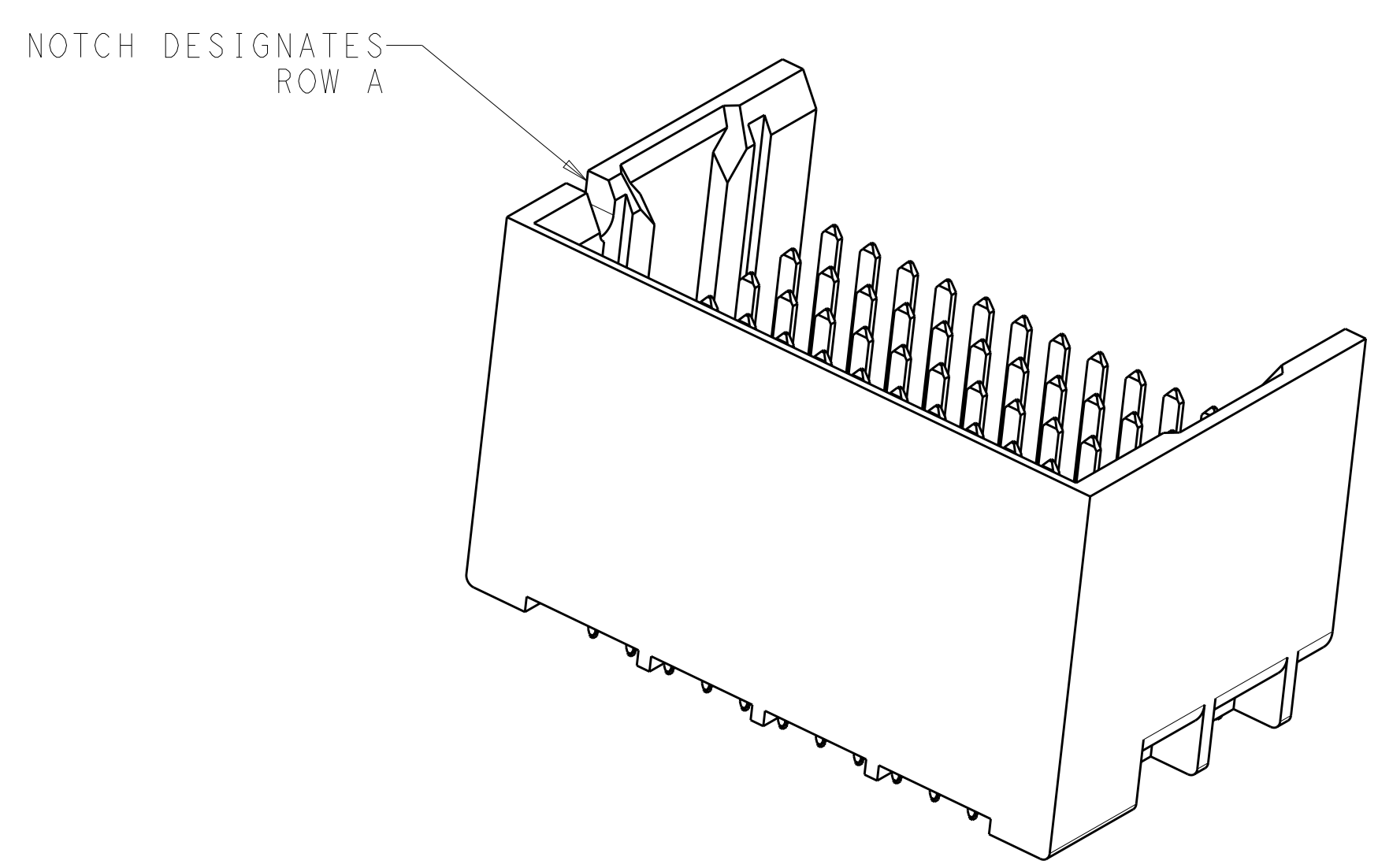
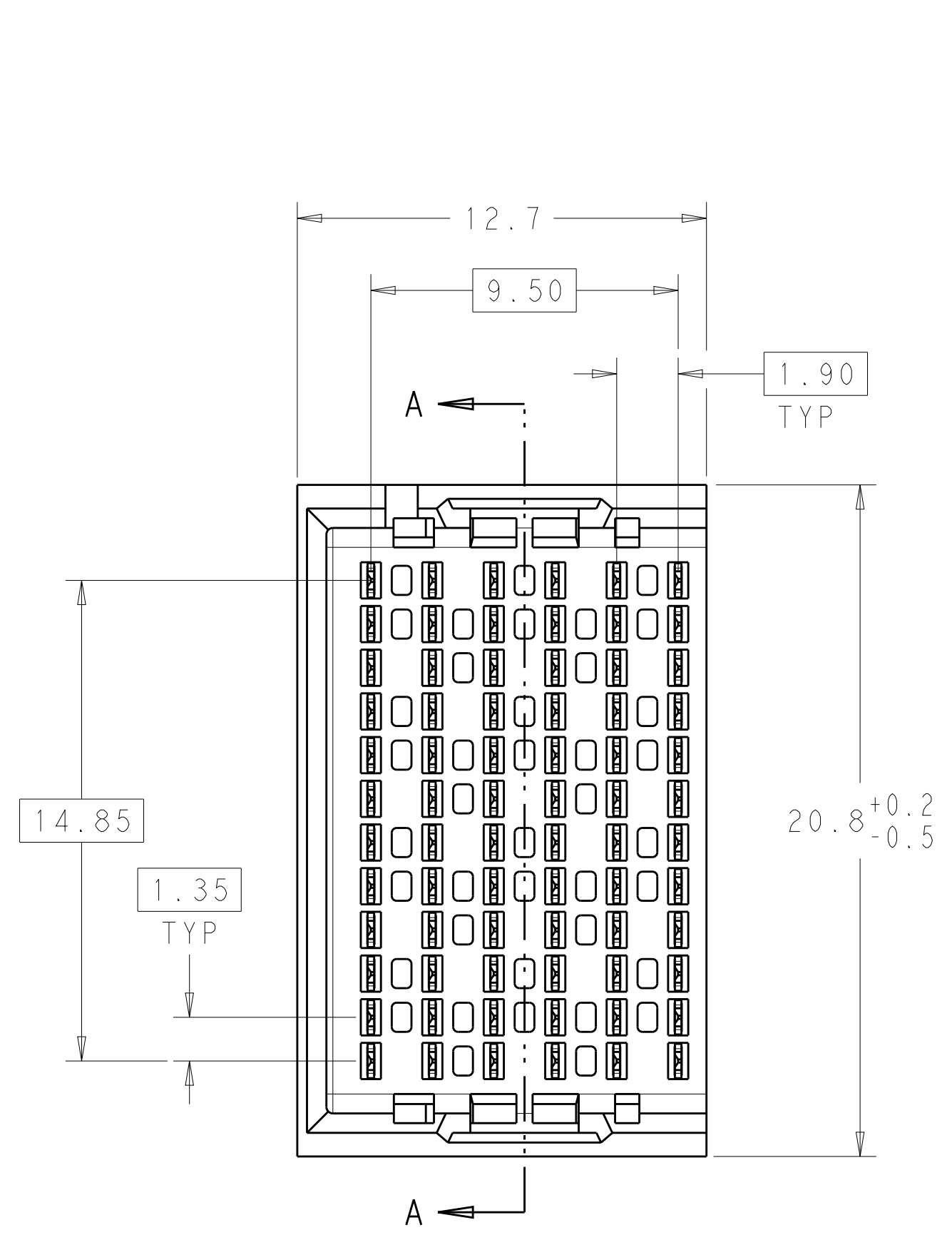
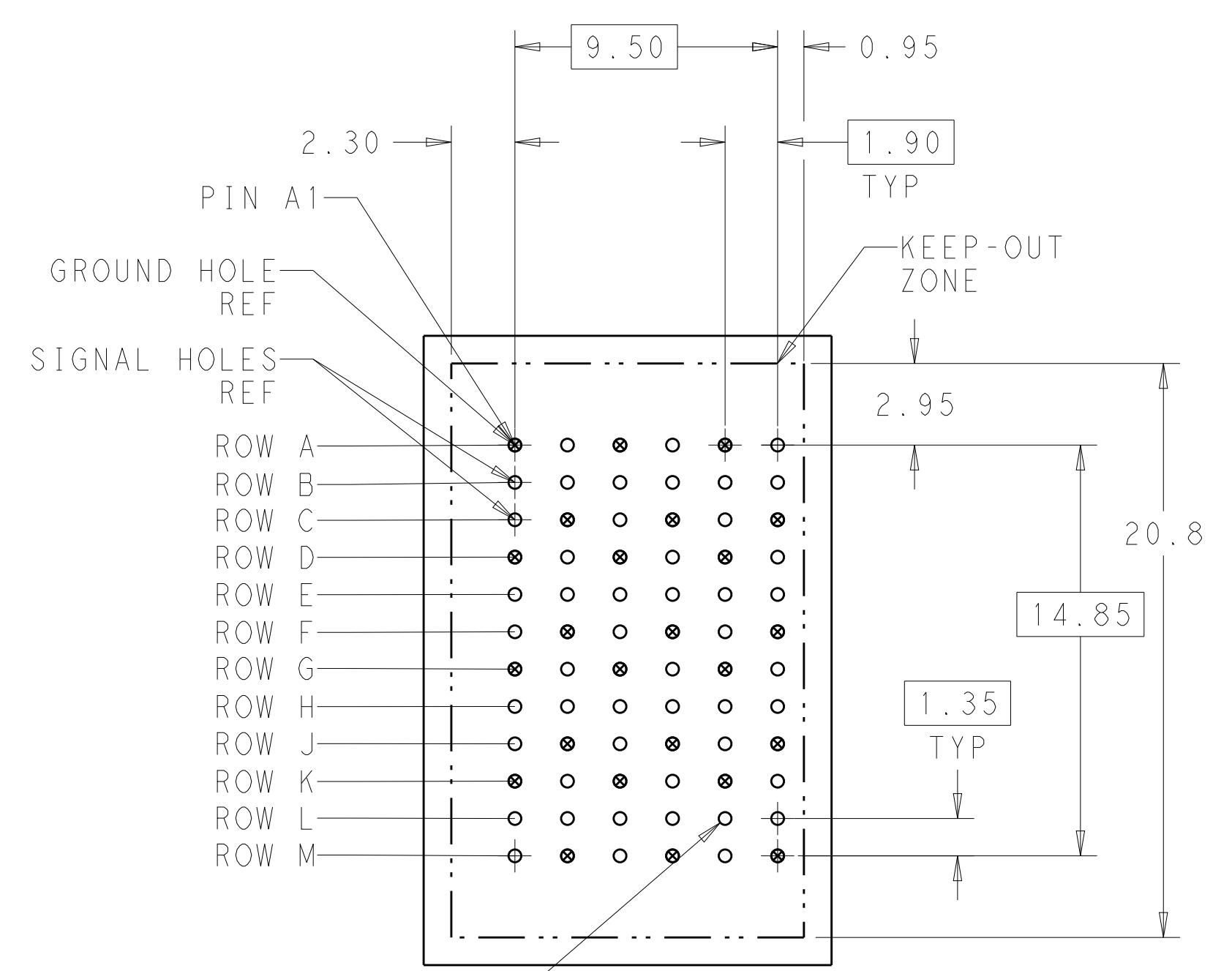


| LOC | | DIST | | REVISIONS | | | |
|-----|----|------|-----|---------------------------|-----------|-----|------|
| AD | 00 | P | LTN | DESCRIPTION | DATE | DWN | APVD |
| | | A1 | | REVISED PER ECO-15-001494 | 06FEB2015 | AP | DD |



△ MATERIAL:
 HOUSING: LCP, GLASS FILLED, UL94V-0.
 TERMINALS: HIGH PERFORMANCE COPPER ALLOY.

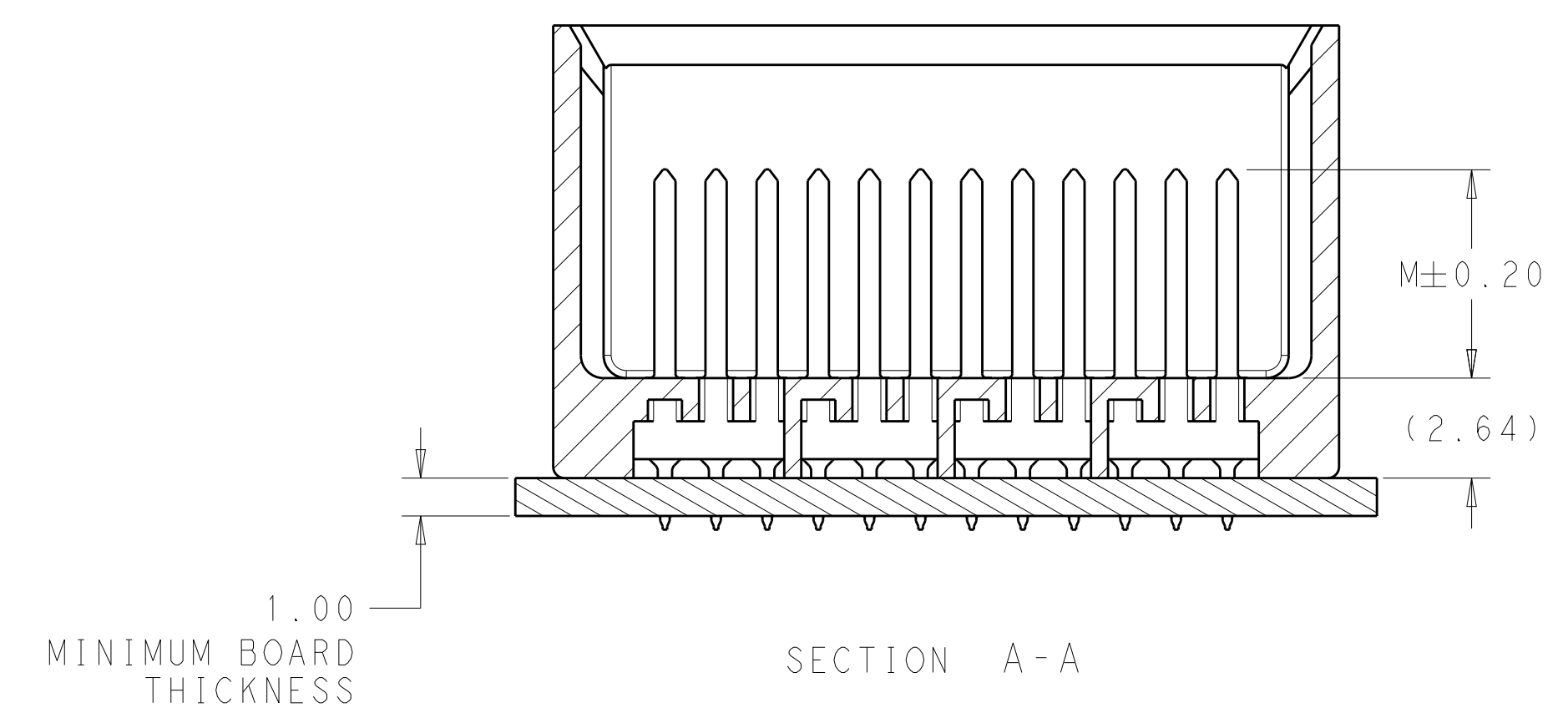
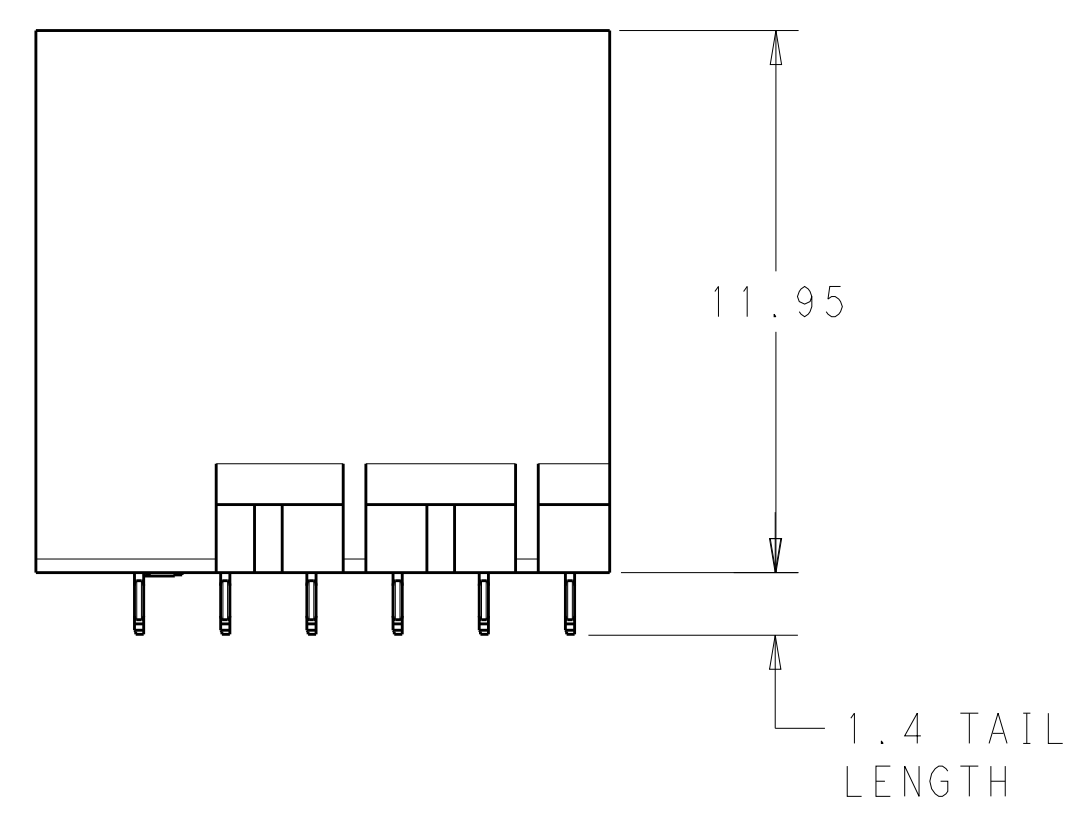
△ FINISH:
 30μ" MIN GOLD IN CONTACT AREA. SELECTIVE TIN
 ON PCB TAILS, NICKEL OVERALL.



72X $\varnothing 0.46 \pm 0.05$
 PLATED THRU HOLE

72X $\varnothing 0.55 \pm 0.013$
 DRILL HOLE
 $\varnothing 0.10$

UNGUIDED
 BACKPLANE HOLE PATTERN
 (CONNECTOR SIDE)



| | | | |
|---|--|-----------------------------------|--|
| THIS DRAWING IS A CONTROLLED DOCUMENT. | | DWN R. GRZYBOWSKI 31MAY2011 | TE Connectivity |
| DIMENSIONS: | | CHK J. EARY 31MAY2011 | |
| mm | TOLERANCES UNLESS OTHERWISE SPECIFIED: | APVD J. EARY 31MAY2011 | NAME IMPACT, 4 PAIR, 6 COLUMN, HEADER UNGUIDED, LEFT END WALL SIGNAL MODULE, 0.46 PTH |
| 0 PLC ± 1 PLC ±0.25 2 PLC ±0.13 3 PLC ± 4 PLC ± ANGLES ± | PRODUCT SPEC APPLICATION SPEC | SIZE A1 | |
| MATERIAL | FINISH SEE TABLE | WEIGHT | CAGE CODE DRAWING NO A100779C=2149983 |
| CUSTOMER DRAWING | | SCALE 6:1 | RESTRICTED TO SHEET 1 OF 2 REV A1 |

THIS DRAWING IS UNPUBLISHED. RELEASED FOR PUBLICATION 20
 © COPYRIGHT 20 BY - ALL RIGHTS RESERVED.

| LOC | DIST | REVISIONS | | | | | |
|-----|------|-----------|-----|-------------|------|-----|------|
| | | P | LTN | DESCRIPTION | DATE | DWN | APVD |
| AD | 00 | - | | SEE SHEET 1 | - | - | - |
| | | | | | | | |
| | | | | | | | |

| FINISH | DIM M | PART NUMBER |
|-------------|-------|-------------|
| \triangle | 5.5 | 2149983-3 |
| \triangle | 4.9 | 2149983-2 |
| \triangle | 4.5 | 2149983-1 |

REFER TO WWW.TE.COM
FOR PRODUCT AVAILABILITY

| | | | |
|---|--|-----------------------------------|--|
| THIS DRAWING IS A CONTROLLED DOCUMENT. | | DWN R. GRZYBOWSKI 31MAY2011 | |
| DIMENSIONS: mm | | CHK J. EARY 31MAY2011 | |
| TOLERANCES UNLESS OTHERWISE SPECIFIED: 0 PLC ± 1 PLC ±0.25 2 PLC ±0.13 3 PLC ± 4 PLC ± ANGLES ± | | APVD J. EARY 31MAY2011 | NAME IMPACT, 4 PAIR, 6 COLUMN, HEADER UNGUIDED, LEFT END WALL SIGNAL MODULE, 0.46 PTH |
| MATERIAL - | | FINISH SEE TABLE | SIZE A100779 |
| CUSTOMER DRAWING | | WEIGHT - | CAGE CODE 2149983 |
| SCALE 5:1 | | SHEET 2 | OF 2 |
| REV A1 | | RESTRICTED TO | |