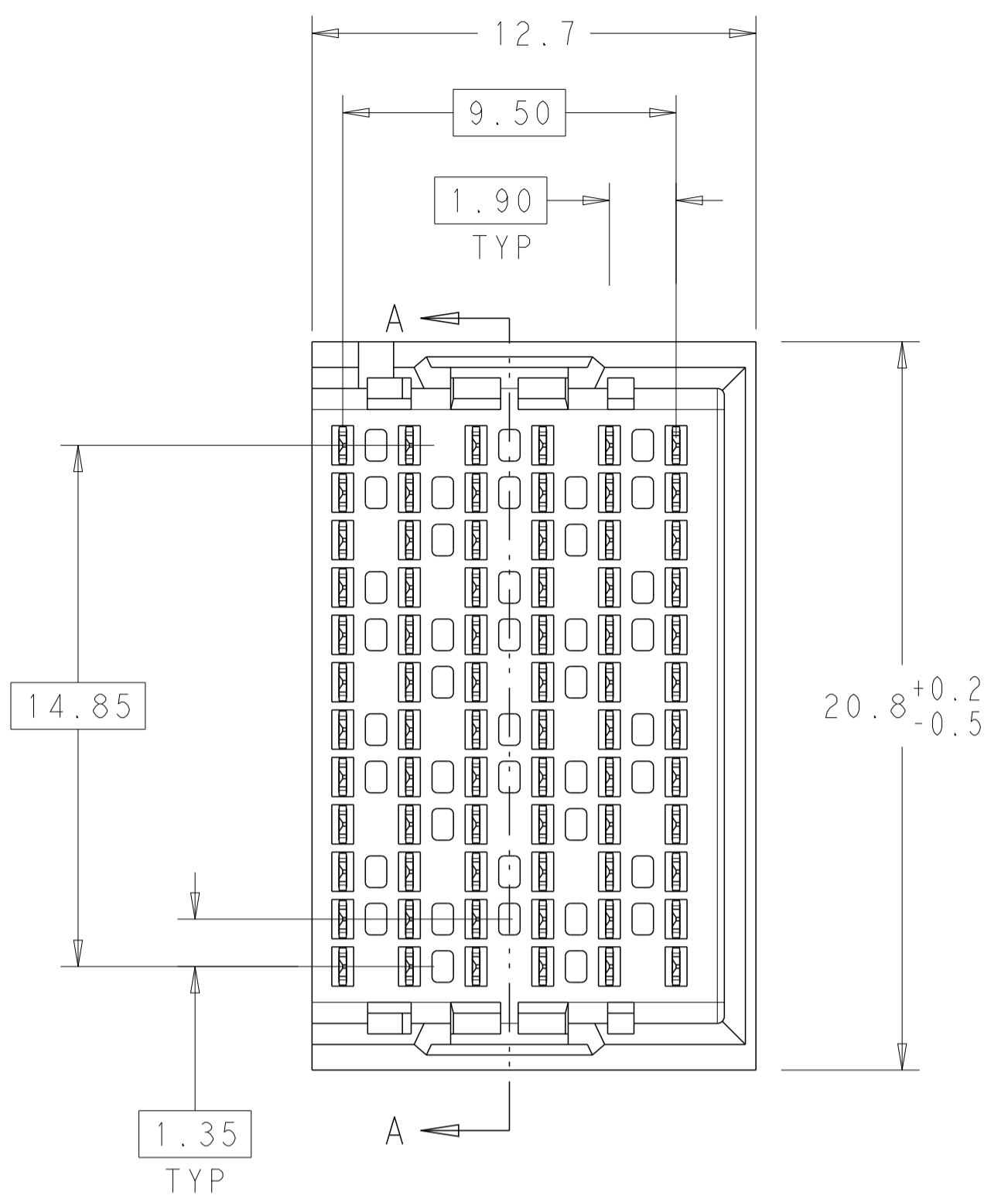
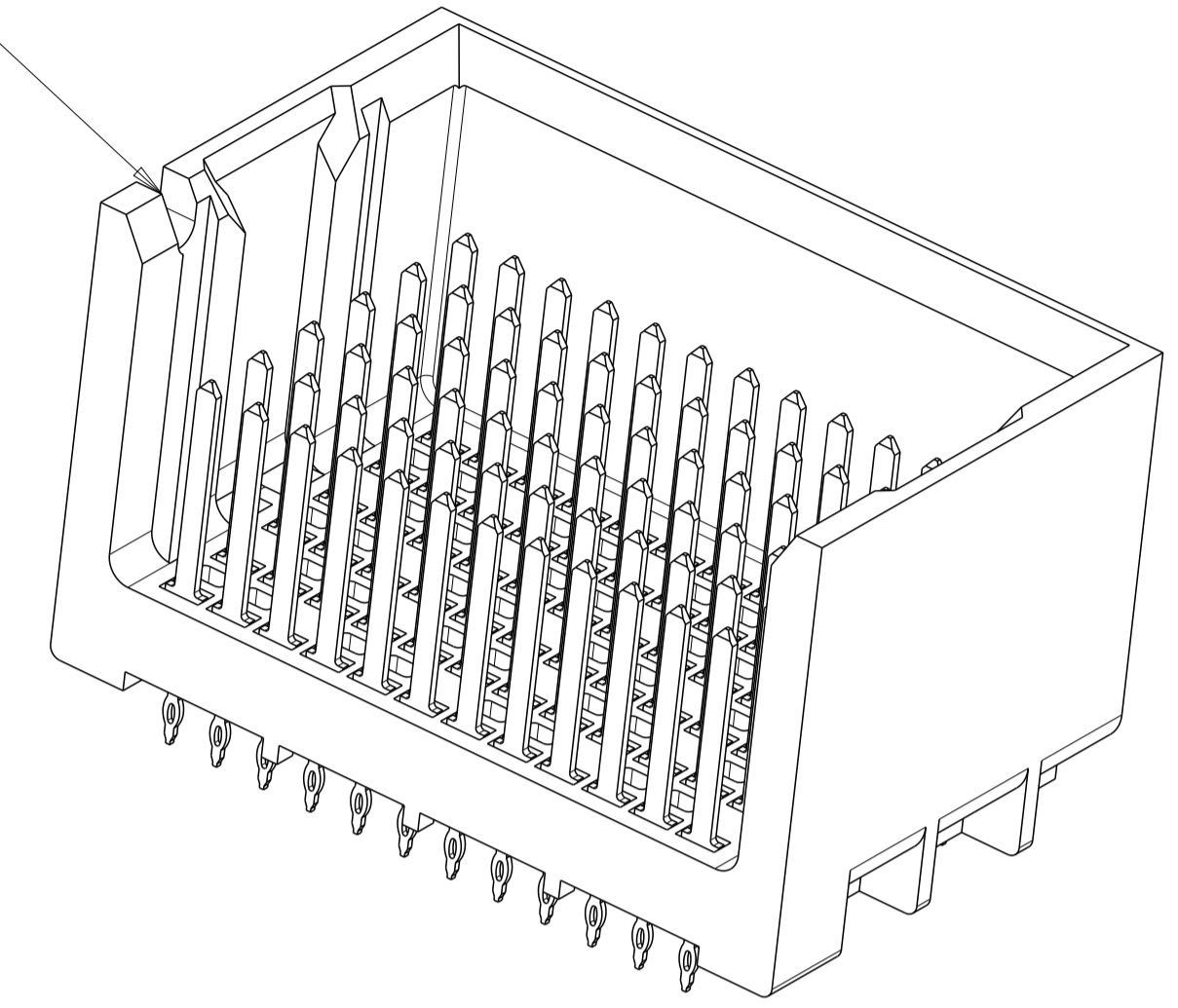


LOC	DIST	REVISIONS			
P	LTN	DESCRIPTION	DATE	DWN	APVD
B1		REVISED PER ECO-15-001494	06FEB2015	AP	DD

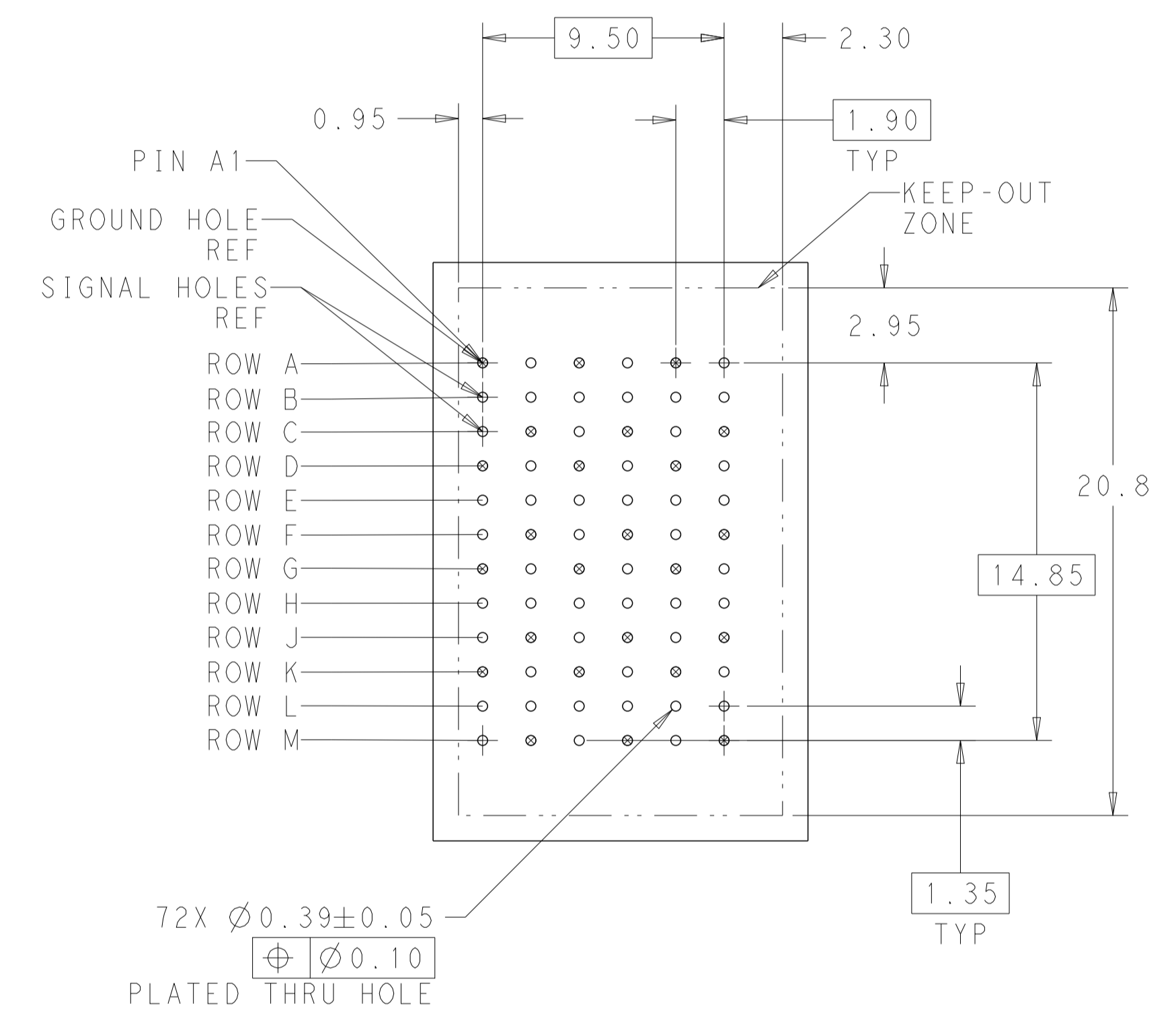
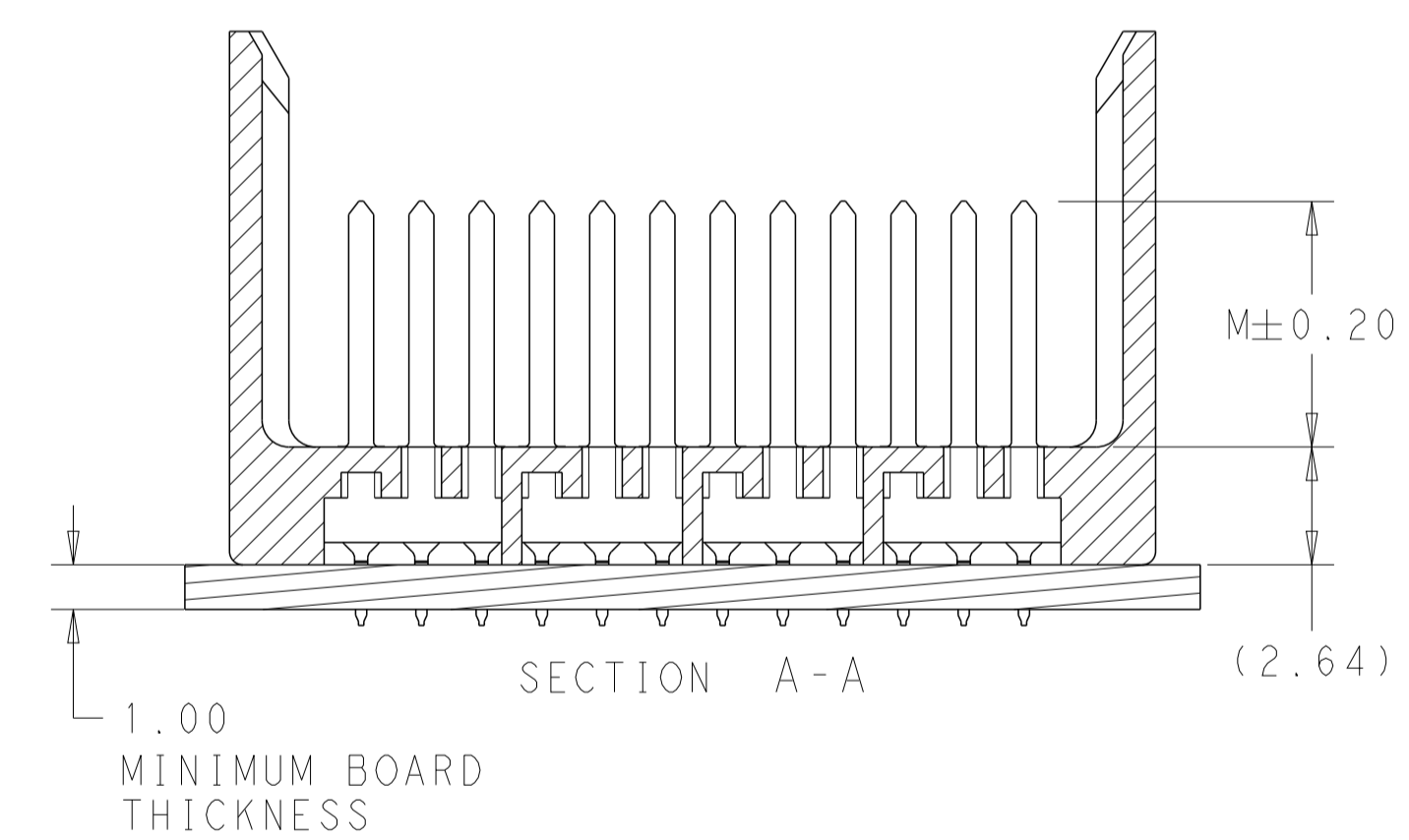
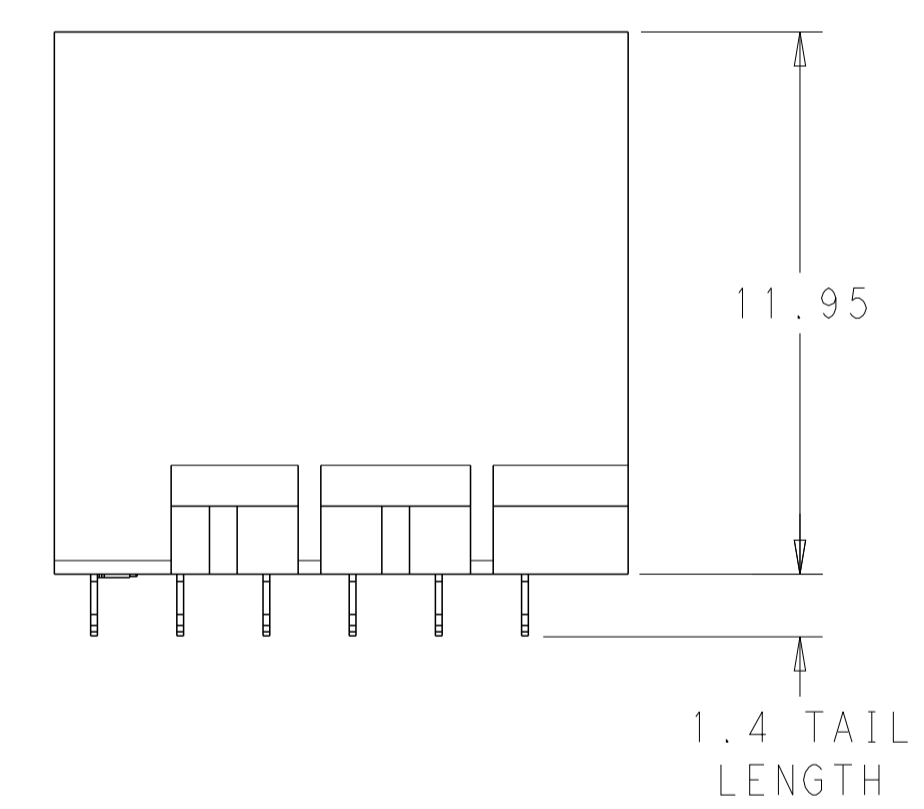


NOTCH DESIGNATES ROW A



⚠ MATERIAL:
HOUSING: LCP, GLASS FILLED, UL94V-0.
TERMINALS: HIGH PERFORMANCE COPPER ALLOY.

⚠ FINISH:
30μ" MIN GOLD IN CONTACT AREA. SELECTIVE TIN ON PCB TAILS, NICKEL OVERALL.



UNGUIDED BACKPLANE HOLE PATTERN (CONNECTOR SIDE)

THIS DRAWING IS A CONTROLLED DOCUMENT.		DWN R. GRZYBOWSKI 27APR2011	TE Connectivity
DIMENSIONS: mm		CHK J. EARY 27APR2011	
TOLERANCES UNLESS OTHERWISE SPECIFIED:		APVD J. EARY 27APR2011	NAME
0 PLC ±	1 PLC ±0.25	PRODUCT SPEC	IMPACT, 4 PAIR, 6 COLUMN, HEADER
2 PLC ±0.13	3 PLC ±	APPLICATION SPEC	UNGUIDED, RIGHT END WALL
4 PLC ±	ANGLES ±	WEIGHT	SIGNAL MODULE, 0.39 PTH
MATERIAL	FINISH SEE TABLE	SIZE CAGE CODE DRAWING NO	RESTRICTED TO
		A100779C=2149977	
CUSTOMER DRAWING		SCALE 6:1	SHEET 1 OF 2 REV B1

THIS DRAWING IS UNPUBLISHED.	RELEASED FOR PUBLICATION	20
© COPYRIGHT 20	ALL RIGHTS RESERVED.	

LOC	DIST	REVISIONS					
		P	LTN	DESCRIPTION	DATE	DMN	APVD
AD	00	-		SEE SHEET 1	-	-	-

FINISH	DIM M	PART NUMBER
\triangle	5.5	2149977-3
\triangle	4.9	2149977-2
\triangle	4.5	2149977-1

REFER TO WWW.TE.COM
FOR PRODUCT AVAILABILITY

THIS DRAWING IS A CONTROLLED DOCUMENT.		DMN R. GRZYBOWSKI	27APR2011		TE Connectivity
DIMENSIONS:		CHK J. EARY	27APR2011		
mm	TOLERANCES UNLESS OTHERWISE SPECIFIED:	APVD J. EARY	27APR2011	NAME IMPACT, 4 PAIR, 6 COLUMN, HEADER UNGUIDED, RIGHT END WALL SIGNAL MODULE, 0.39 PTH	
0 PLC	±	PRODUCT SPEC		SIZE	
1 PLC	±0.25	APPLICATION SPEC		CAGE CODE	
2 PLC	±0.13	WEIGHT		DRAWING NO	
3 PLC	±	CUSTOMER DRAWING		A100779	
4 PLC	±	SCALE	5:1	DRAWING NO	
ANGLES	±	SHEET	2	OF	
FINISH	SEE TABLE	REV	B1	RESTRICTED TO	