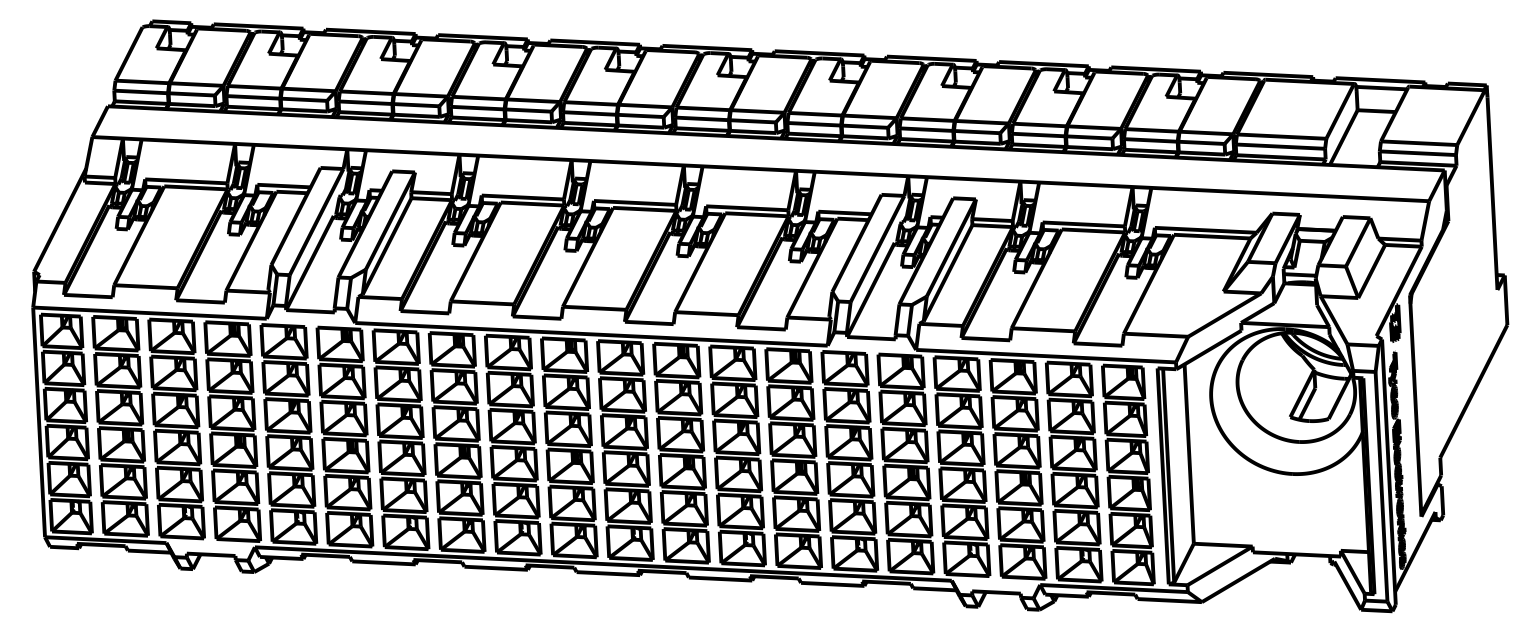
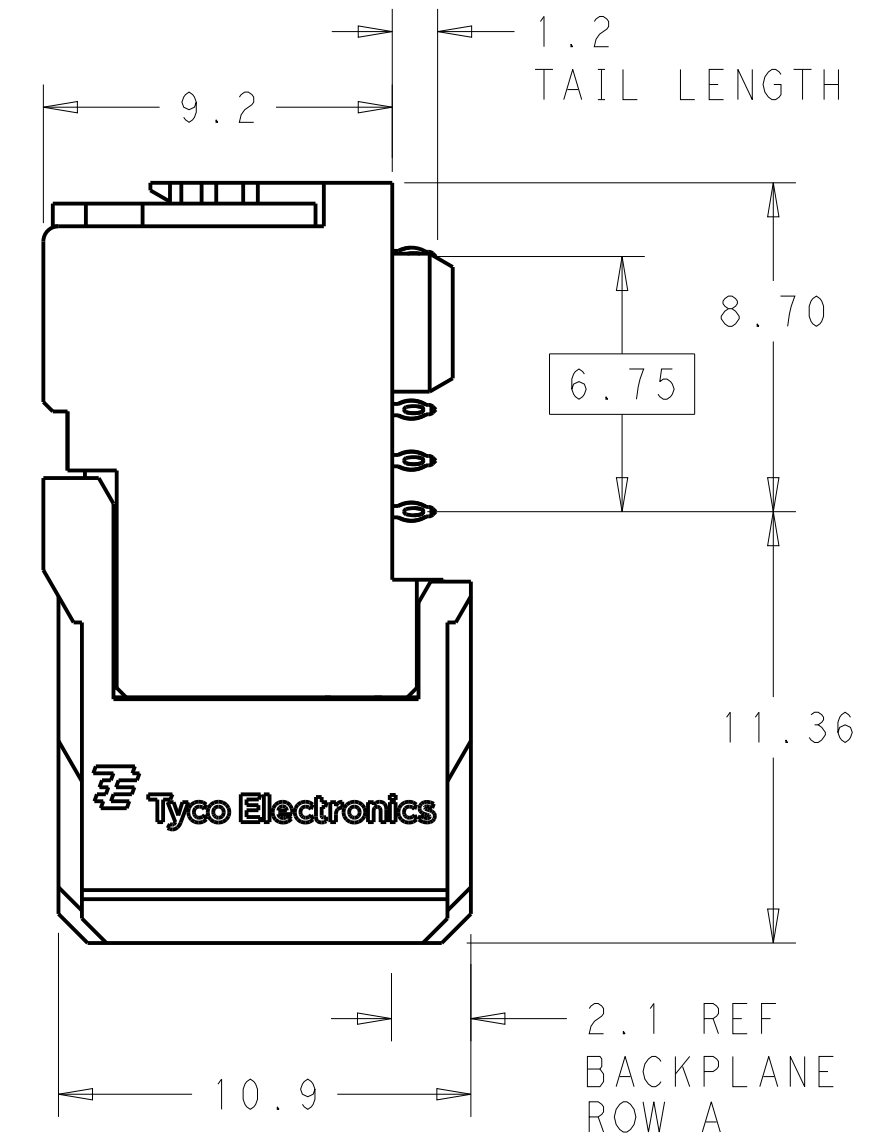
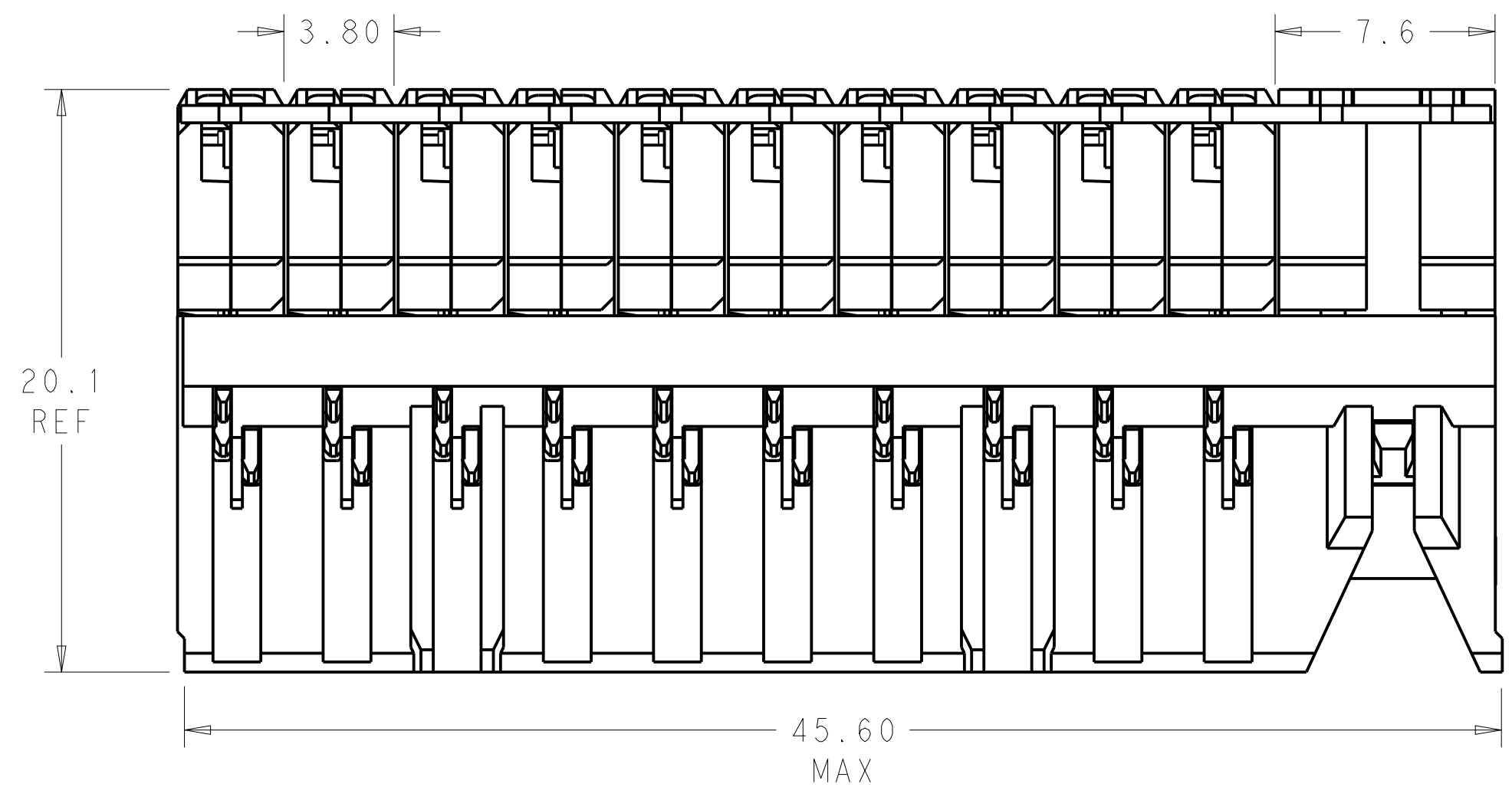


REVISIONS				
P.	LTN	DESCRIPTION	DATE	APVD
A		REVISED PER ECO-14-017984	04DEC2014	AP DD

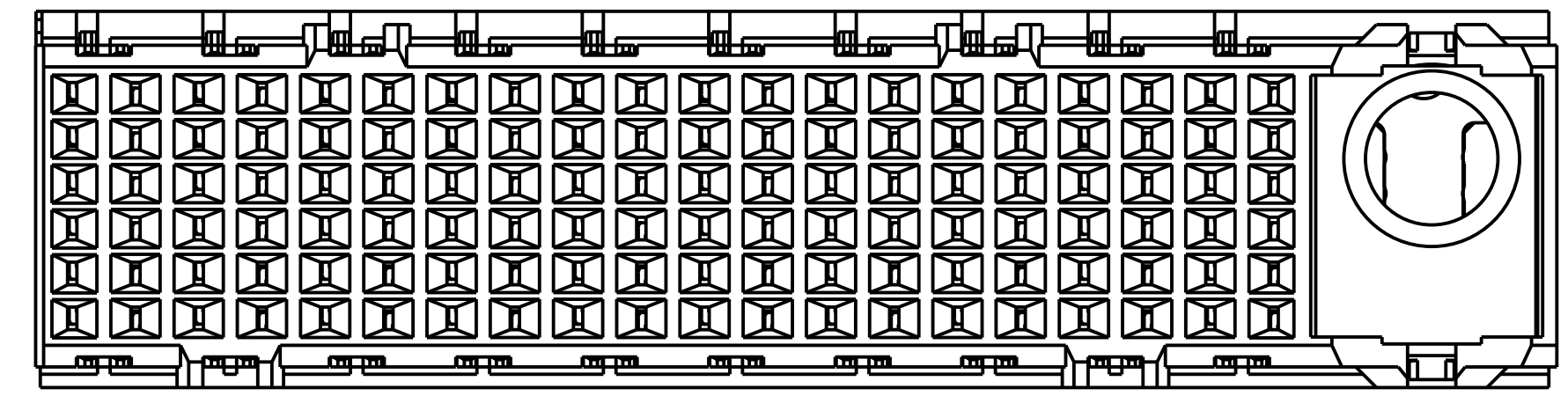
⚠ MATERIAL:
HOUSING: LCP, GLASS FILLED, UL94V-0.
TERMINALS: HIGH PERFORMANCE COPPER ALLOY.

⚠ FINISH:
30µ" SELECTIVE GOLD IN CONTACT AREA. SELECTIVE TIN ON PCB TAILS, NICKEL OVERALL.

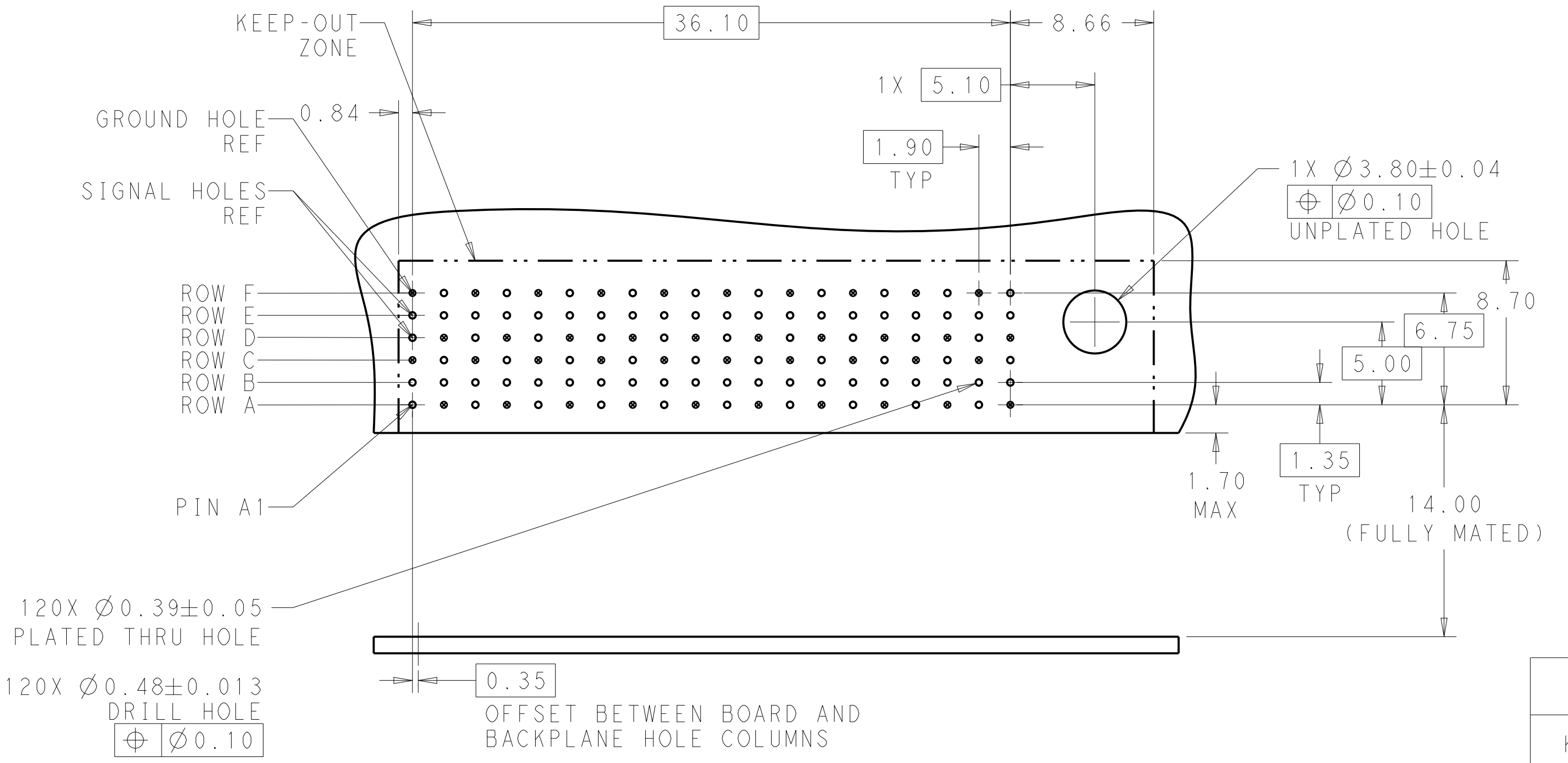
3.CONNECTORS SUPPLIED WITH MOUNTING SCREWS.



SCALE 4:1



REFER TO WWW.TE.COM FOR PRODUCT AVAILABILITY



RECOMMENDED PCB LAYOUT
MIN BOARD THICKNESS 1.6

NONE	⚠	2143948-1
KEY POSITION	FINISH	PART NUMBER
DIMENSIONS: mm 0 PLC ±0.2 1 PLC ±0.2 2 PLC ±0.10 3 PLC ±0.10 4 PLC ±0.10 ANGLES ±0.10 FINISH SEE TABLE		TOLERANCES UNLESS OTHERWISE SPECIFIED: DIMENSIONS: mm 0 PLC ±0.2 1 PLC ±0.2 2 PLC ±0.10 3 PLC ±0.10 4 PLC ±0.10 ANGLES ±0.10 FINISH SEE TABLE
THIS DRAWING IS A CONTROLLED DOCUMENT. DIMENSIONS: mm TOLERANCES UNLESS OTHERWISE SPECIFIED: DIMENSIONS: mm 0 PLC ±0.2 1 PLC ±0.2 2 PLC ±0.10 3 PLC ±0.10 4 PLC ±0.10 ANGLES ±0.10 FINISH SEE TABLE		CUSTOMER DRAWING SCALE 5:1 SHEET 1 OF 1 REV A