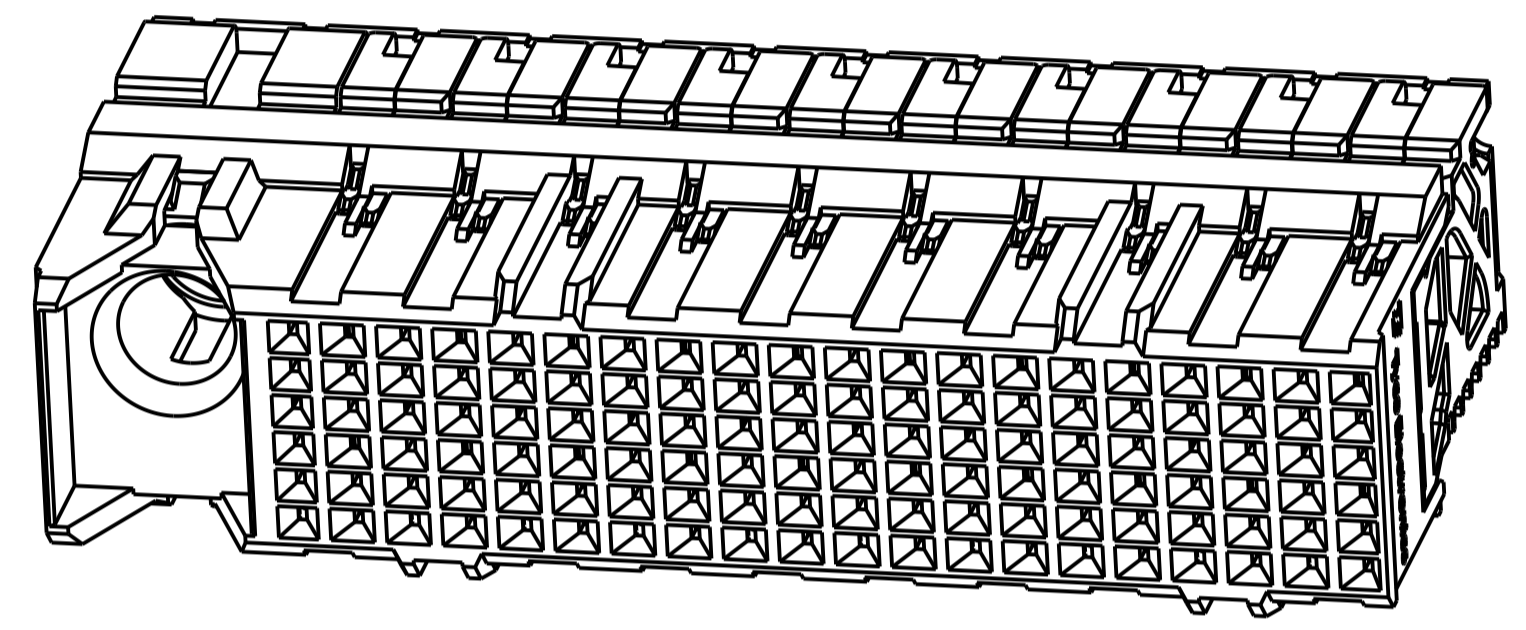
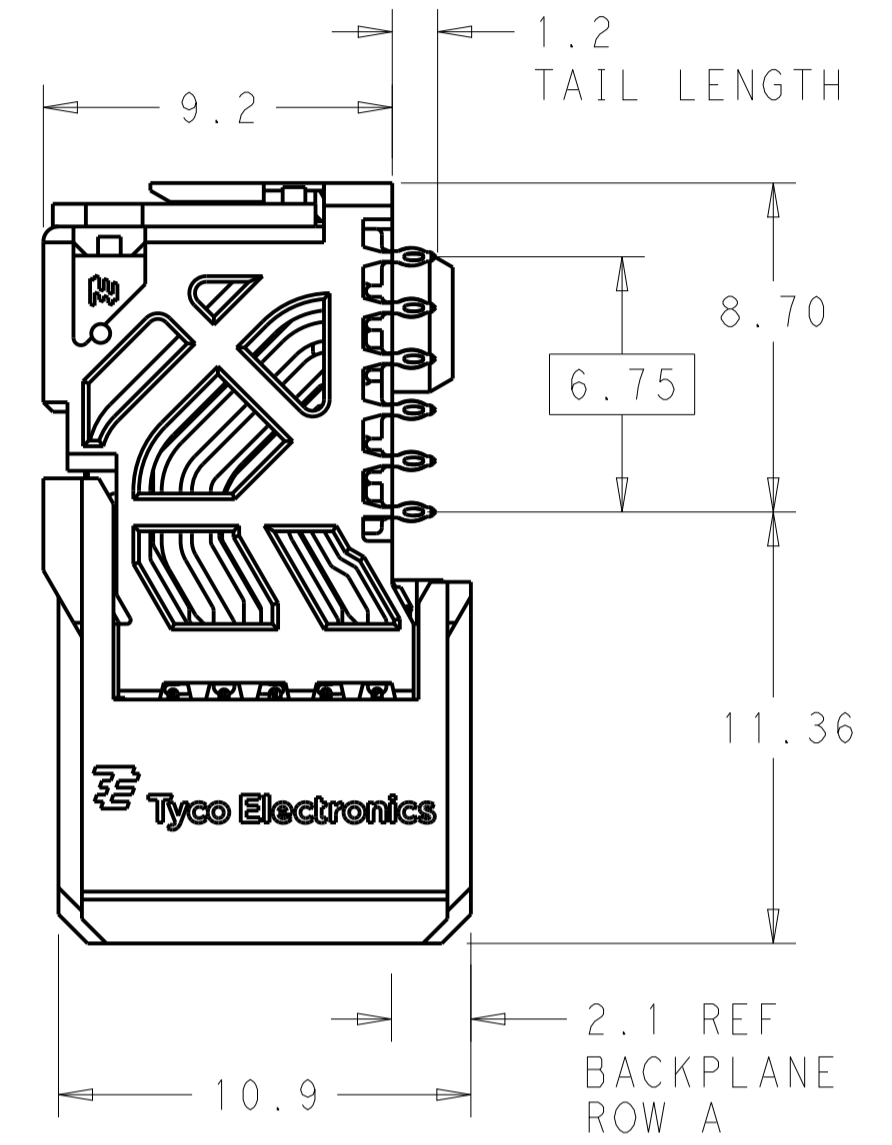
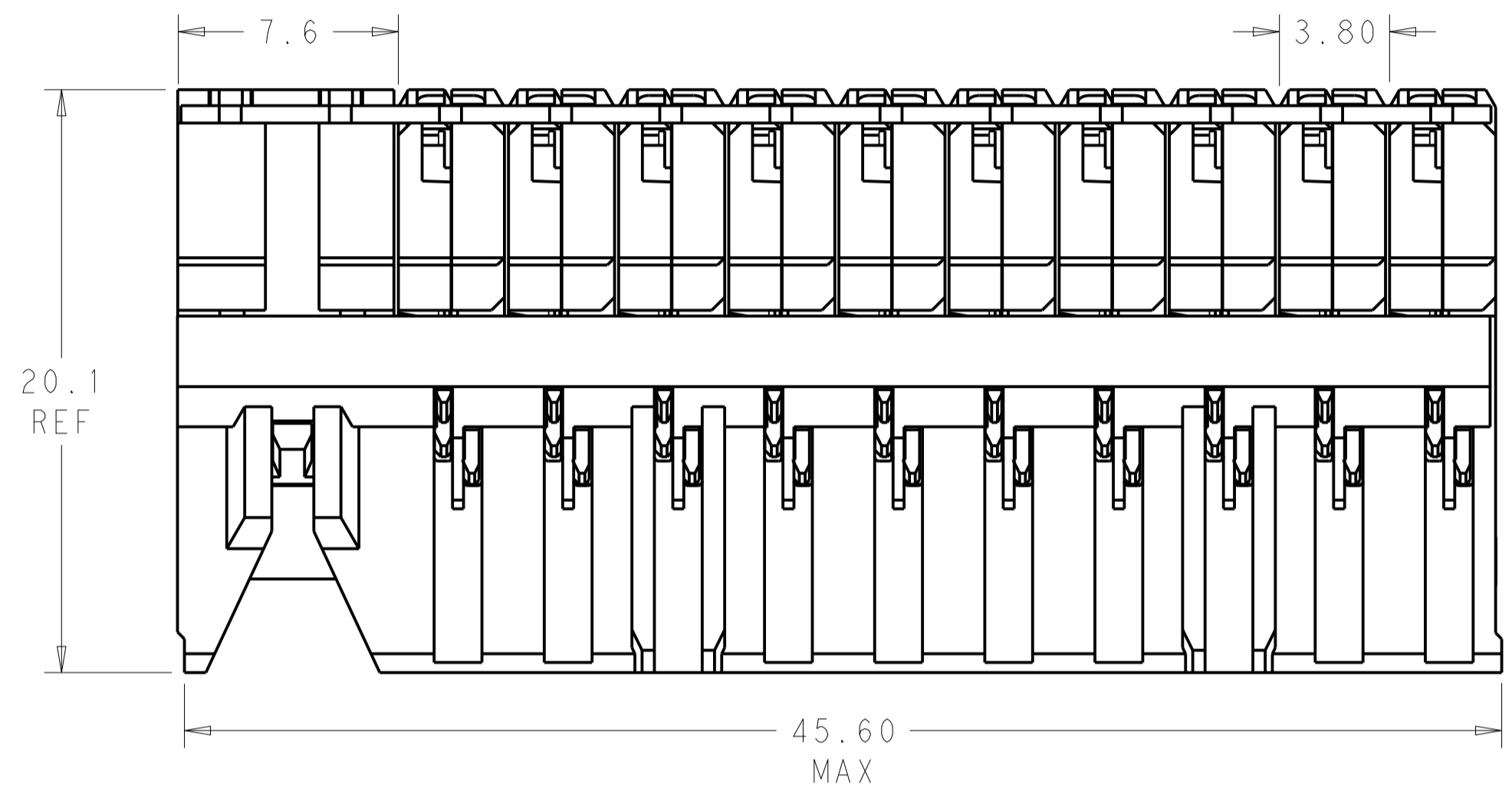


REVISIONS				
P.	LTM	DESCRIPTION	DATE	OWN APVD
A		REVISED PER ECO-14-017984	04DEC2014	AP DD

⚠ MATERIAL:
HOUSING: LCP, GLASS FILLED, UL94V-0.
TERMINALS: HIGH PERFORMANCE COPPER ALLOY.

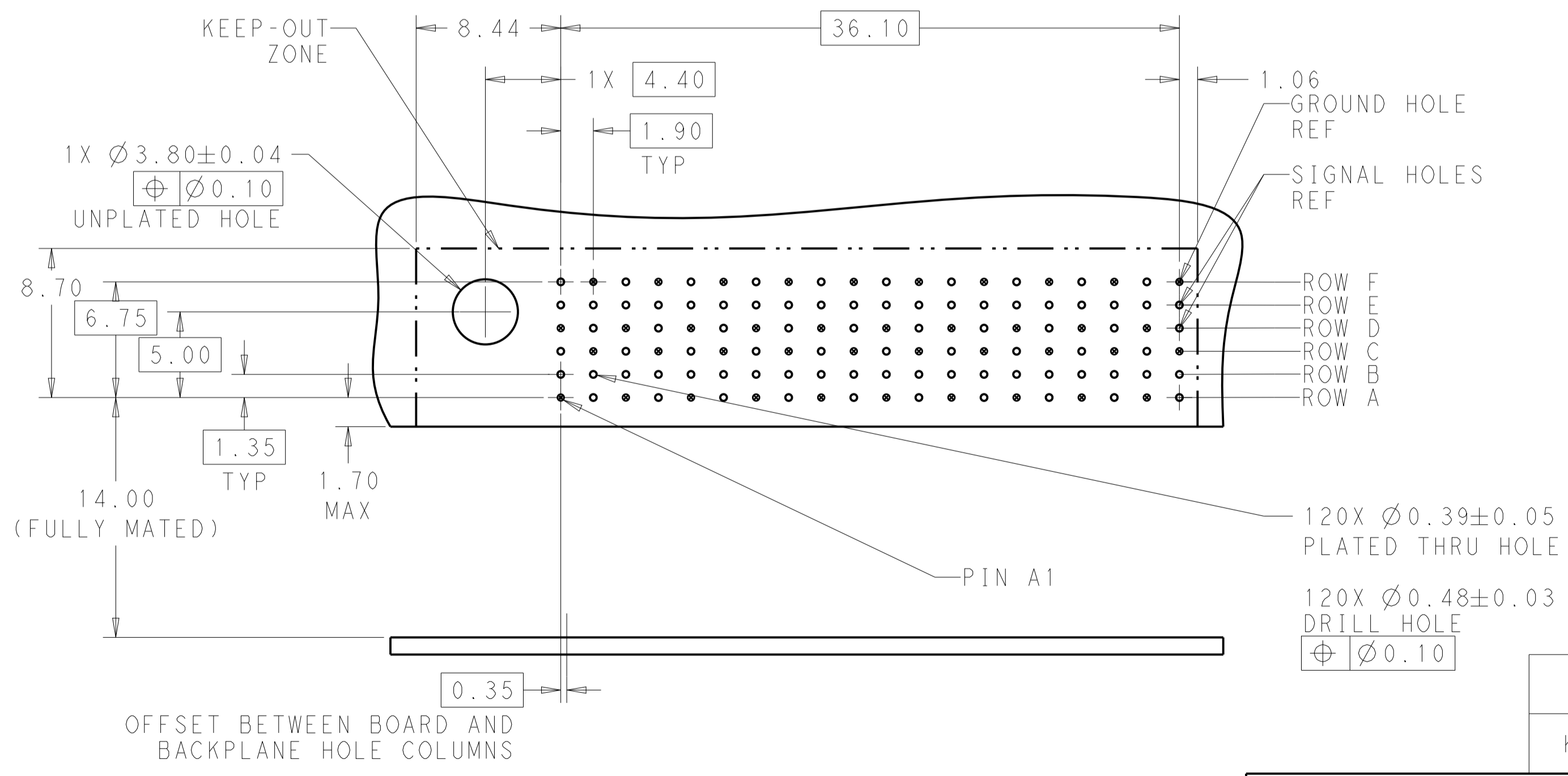
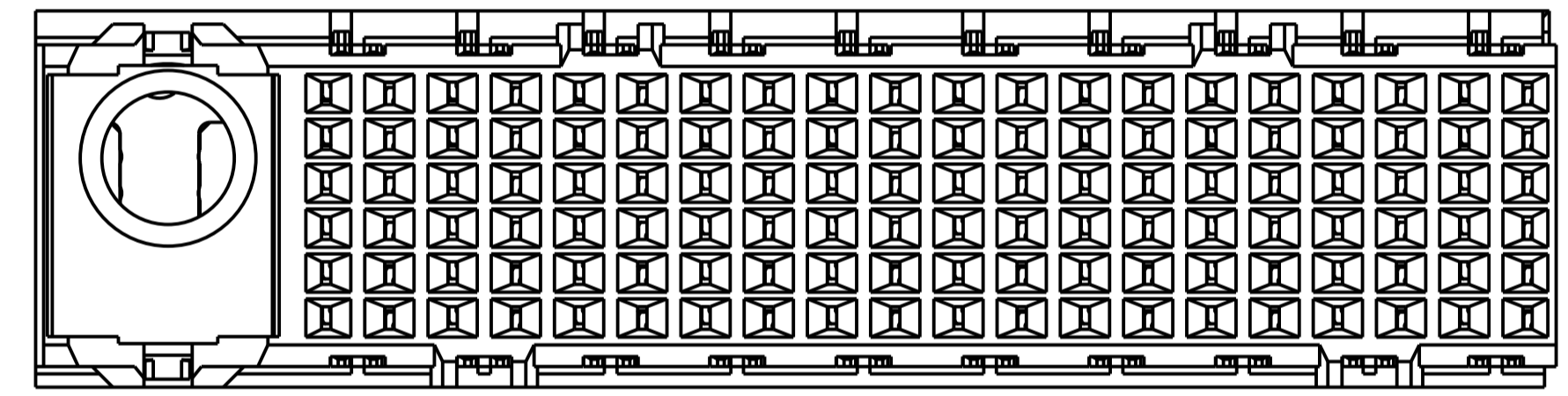
⚠ FINISH:
30μ" SELECTIVE GOLD IN CONTACT AREA. SELECTIVE TIN ON PCB TAILS, NICKEL OVERALL.

3.CONNECTORS SUPPLIED WITH MOUNTING SCREWS.



SCALE 4:1

REFER TO WWW.TE.COM FOR PRODUCT AVAILABILITY



RECOMMENDED PCB LAYOUT
MIN BOARD THICKNESS 1.6

NONE	⚠	2143947-1
KEY POSITION	FINISH	PART NUMBER

THIS DRAWING IS A CONTROLLED DOCUMENT.		OWN Z. MILLER 24SEP2010	
DIMENSIONS: mm		CHK D. DIXON 24SEP2010	
TOLERANCES UNLESS OTHERWISE SPECIFIED:		APVD D. DIXON 24SEP2010	
0 PLC ± 1 PLC ±0.2 2 PLC ±0.10 3 PLC ± 4 PLC ± ANGLES ±		NAME	
MATERIAL SEE TABLE		PRODUCT SPEC	IMPACT, 2 PAIR, DAUGHTERCARD
		APPLICATION SPEC	20 COLUMN, LEFT GUIDED, SIGNAL MODULE, 0.39 EYELET
		WEIGHT	SIZE CAGE CODE DRAWING NO RESTRICTED TO
		Customer Drawing	A100779C=2143947
		SCALE 5:1	SHEET 1 OF 1 REV A