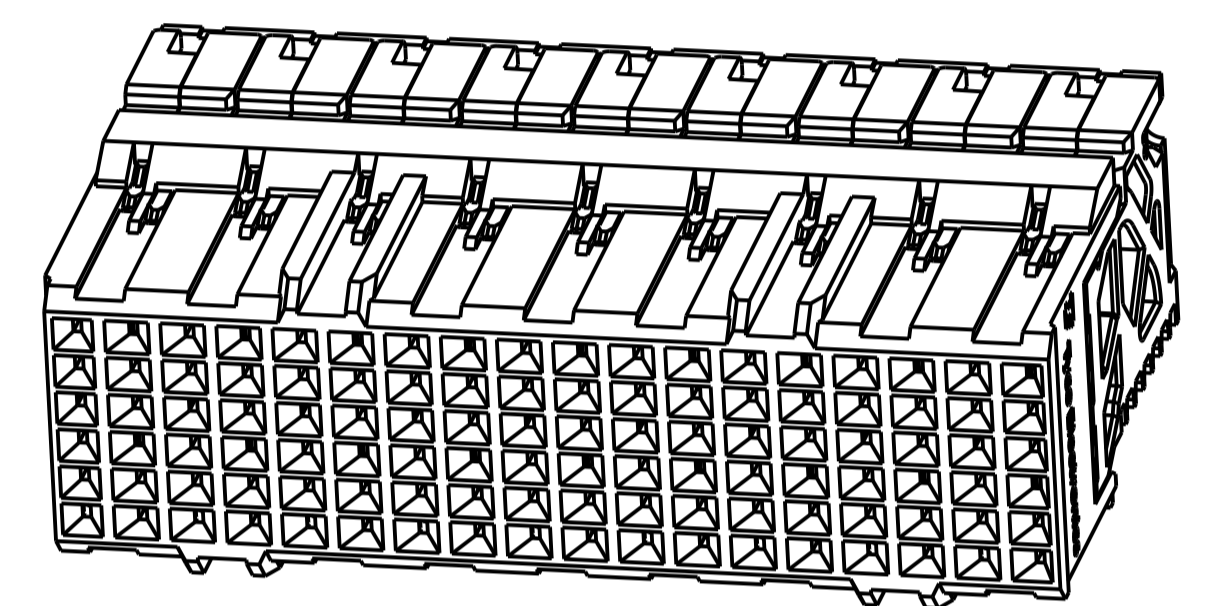
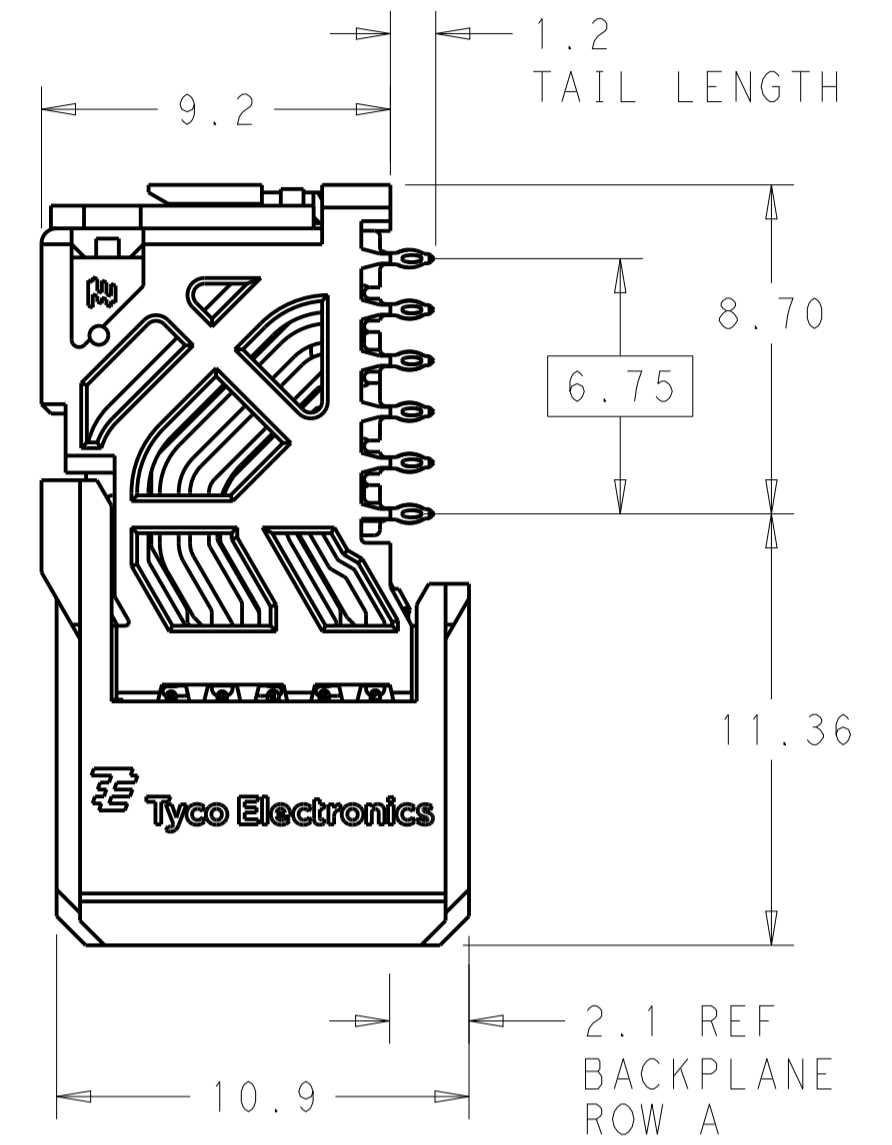
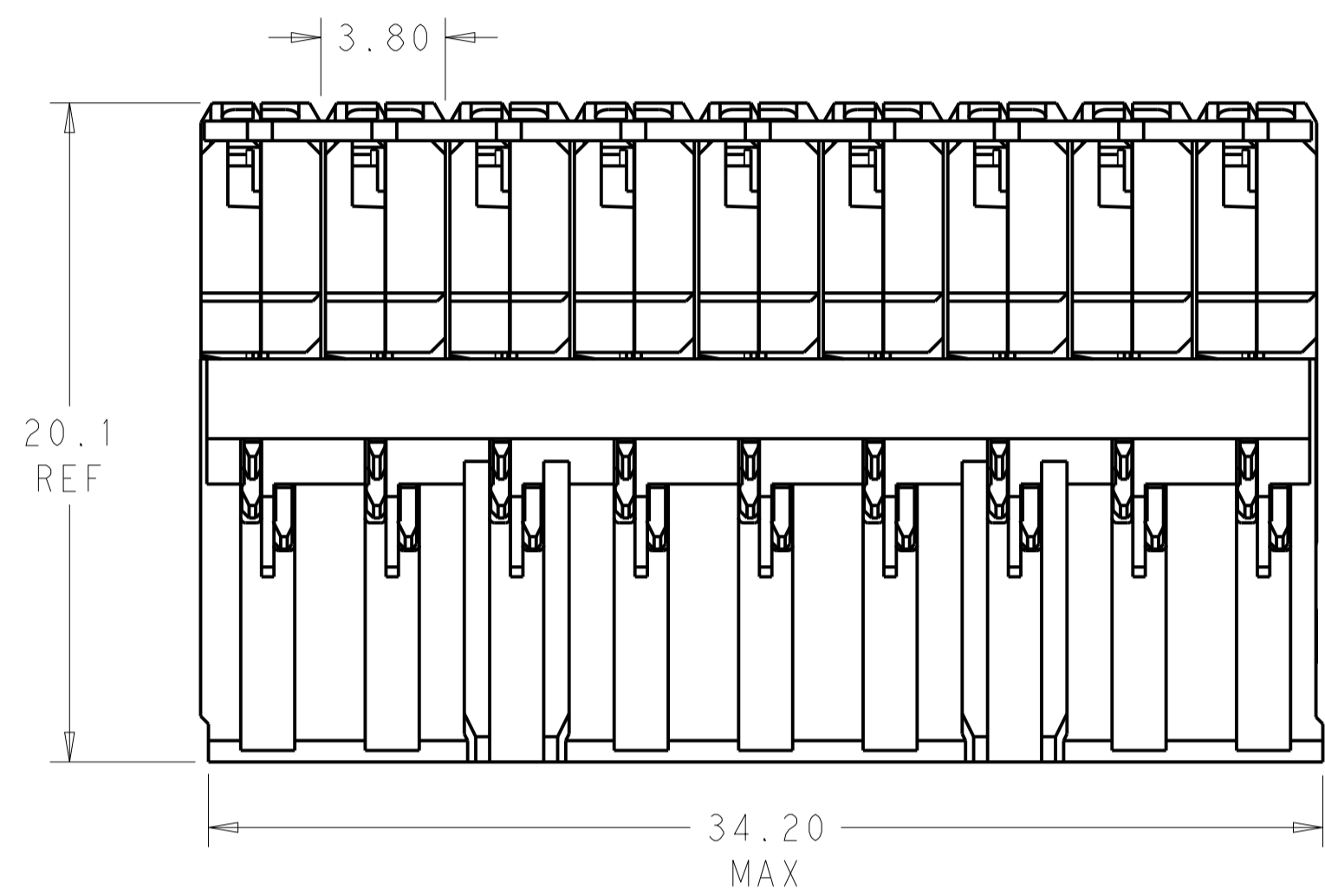


REVISIONS				
P.	LTN.	DESCRIPTION	DATE	APVD.
A		REVISED PER ECO-14-017984	04DEC2014	AP DD

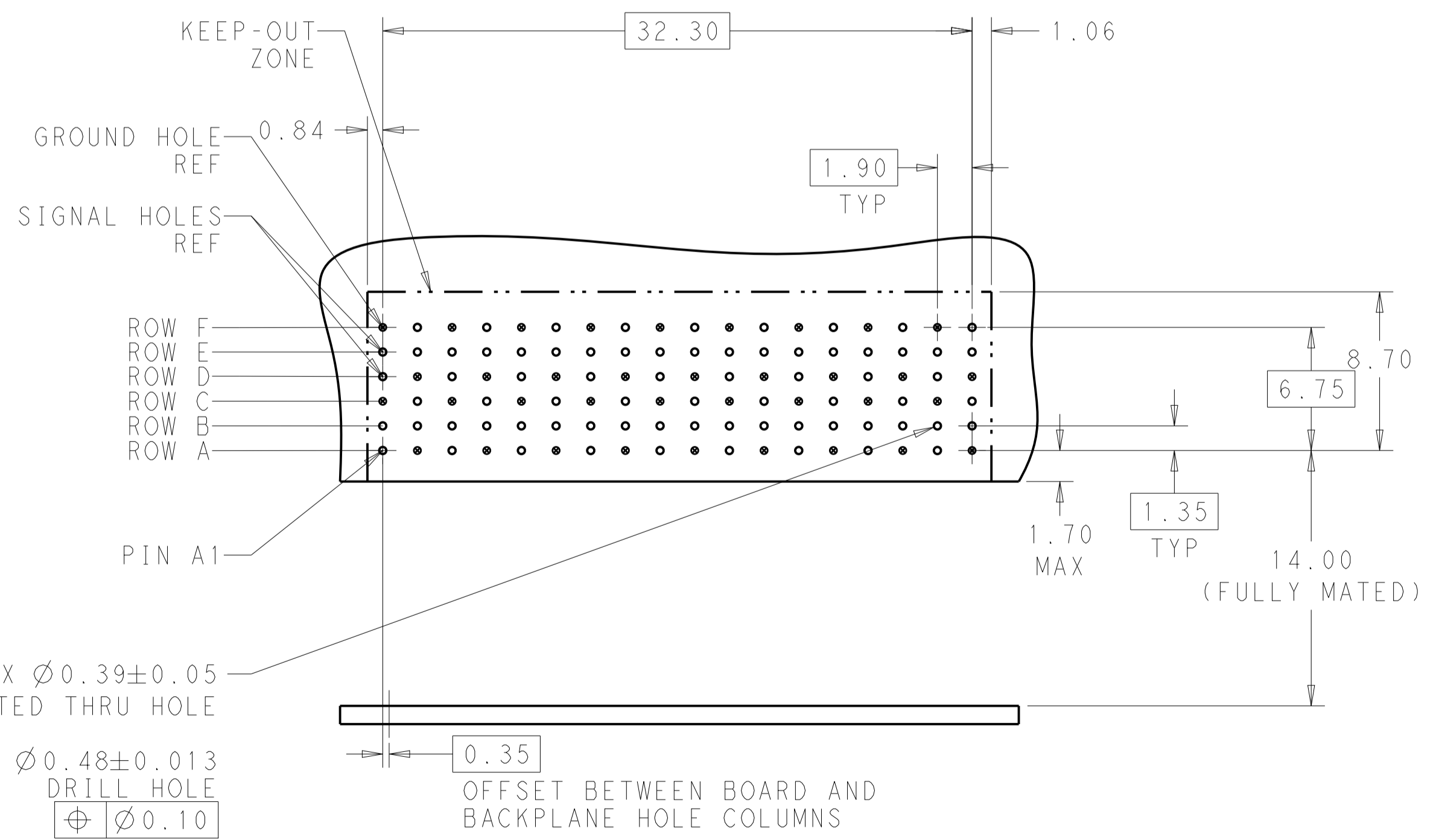
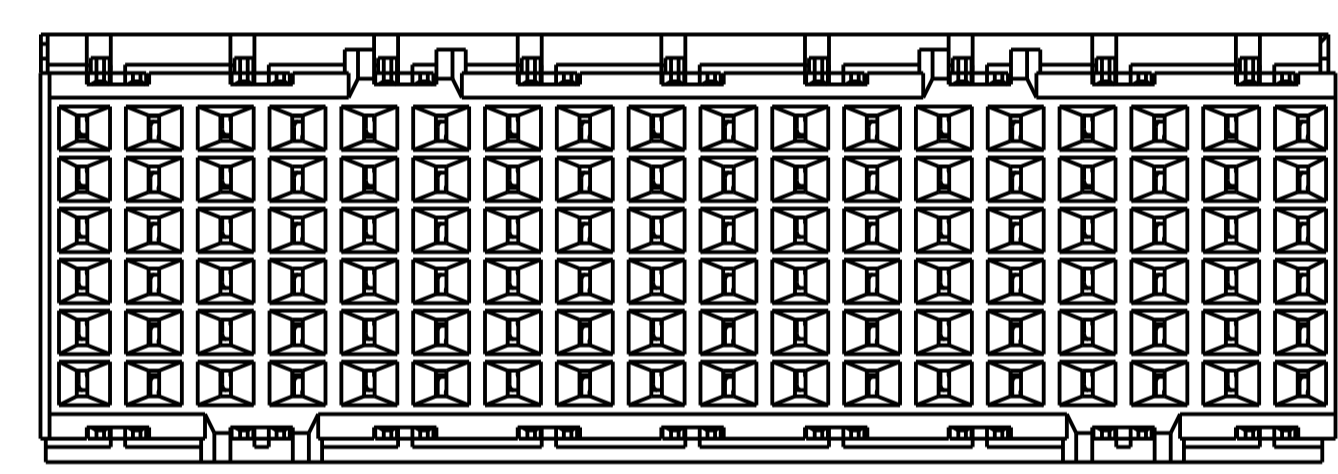
⚠ MATERIAL:
HOUSING: LCP, GLASS FILLED, UL94V-0.
TERMINALS: HIGH PERFORMANCE COPPER ALLOY.

⚠ FINISH:
30μ" SELECTIVE GOLD IN CONTACT AREA. SELECTIVE TIN ON PCB TAILS, NICKEL OVERALL.



SCALE 4:1

REFER TO WWW.TE.COM FOR PRODUCT AVAILABILITY



RECOMMENDED PCB LAYOUT
MIN BOARD THICKNESS 1.6

NONE	⚠	2143946-1
KEY POSITION	FINISH	PART NUMBER

THIS DRAWING IS A CONTROLLED DOCUMENT.		DWN: Z. MILLER 24SEP2010	
DIMENSIONS: mm		CHK: D. DIXON 24SEP2010	
TOLERANCES UNLESS OTHERWISE SPECIFIED:		APVD: D. DIXON 24SEP2010	
0 PLC ± 1 PLC ±0.2 2 PLC ±0.10 3 PLC ± 4 PLC ± ANGLES ±		NAME: IMPACT, 2 PAIR, DAUGHTERCARD PRODUCT SPEC: 18 COLUMN, UNGUIDED, SIGNAL MODULE, 0.39 EYELET APPLICATION SPEC: -	
MATERIAL: ⚠	FINISH: SEE TABLE	WEIGHT: -	RESTRICTED TO: -
Customer Drawing		SIZE: A1	SCALE: 5:1
		CAGE CODE: 00779	SHEET: 1 OF 1
		DRAWING NO: 2143946	REV: A