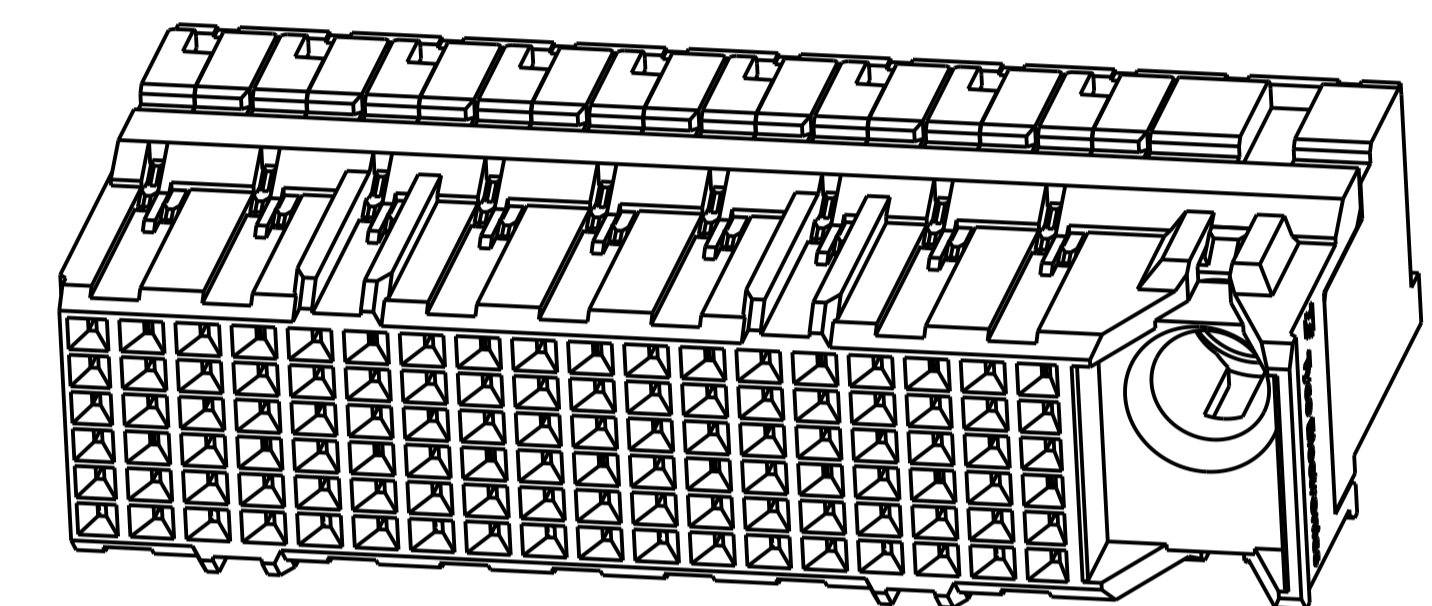
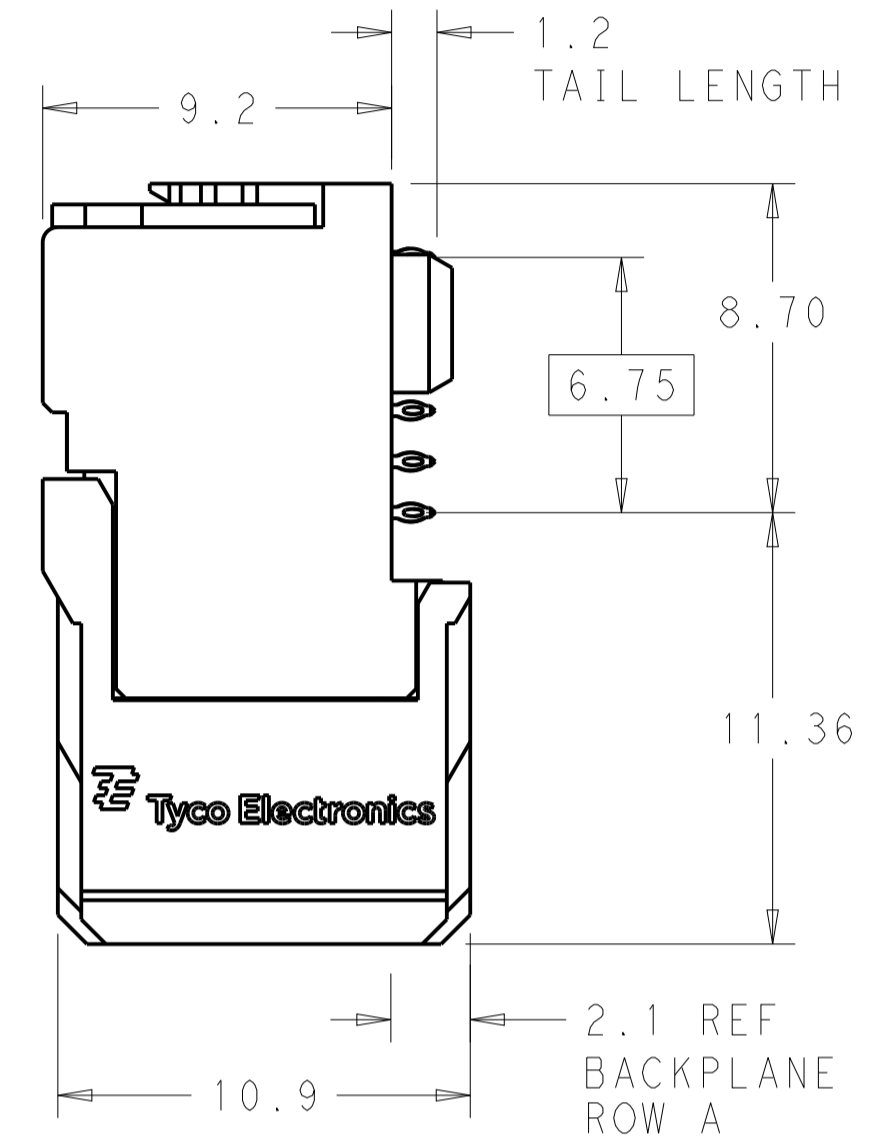
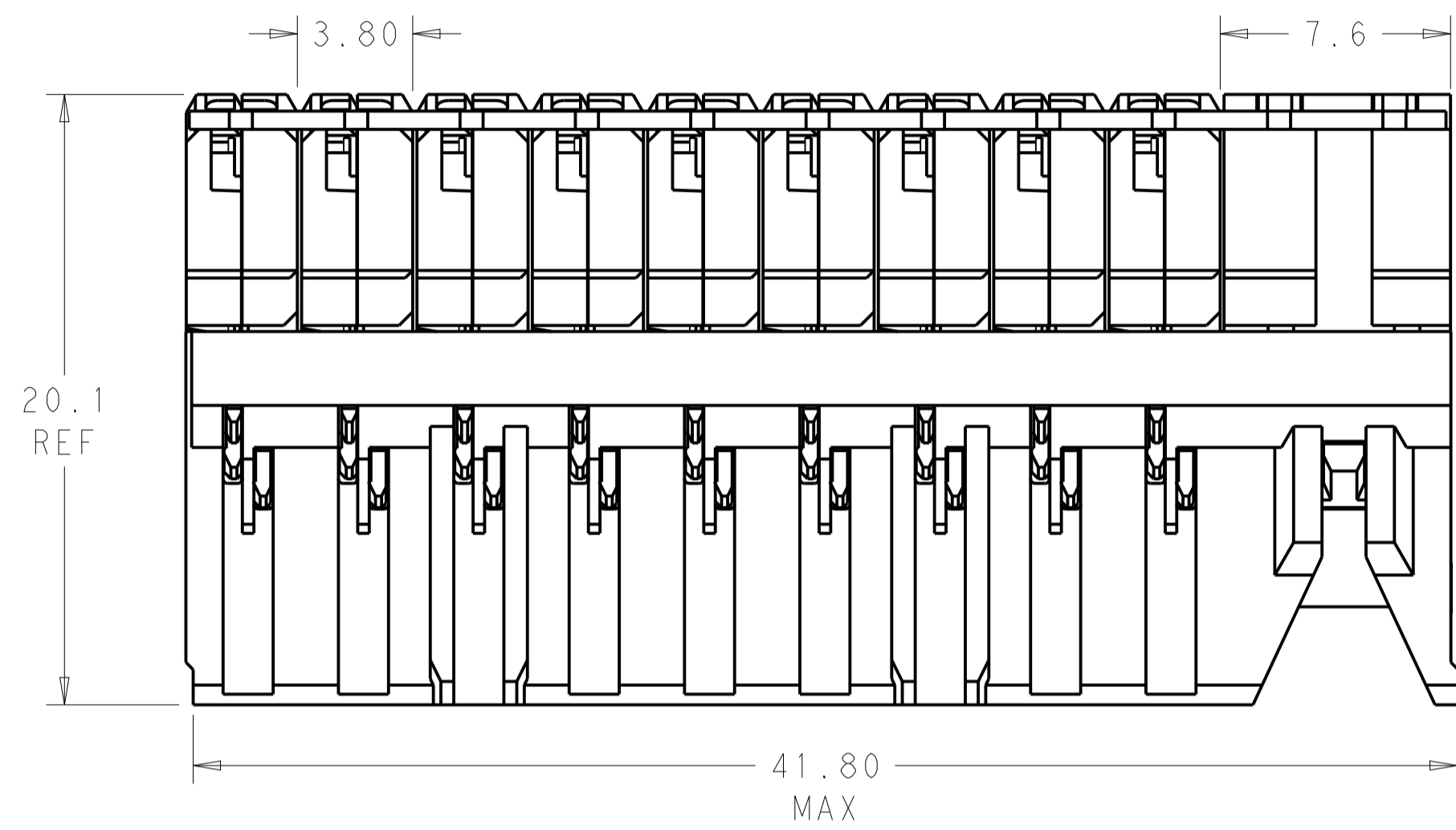


REVISIONS				
P.	LTM	DESCRIPTION	DATE	APVD
A		REVISED PER ECO-14-017984	04DEC2014	AP DD

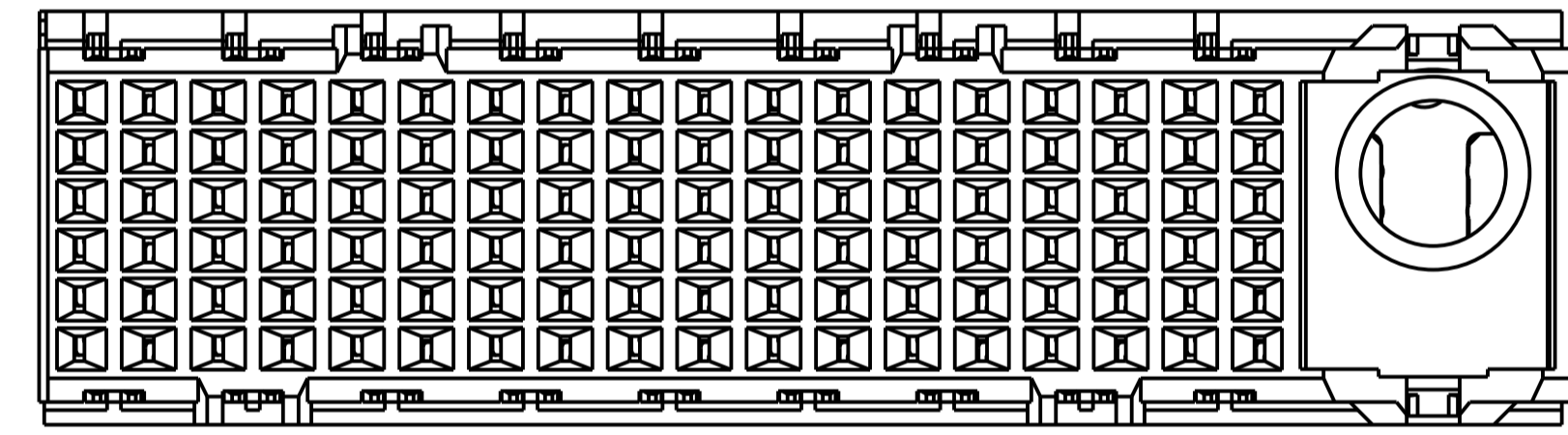
⚠ MATERIAL:
HOUSING: LCP, GLASS FILLED, UL94V-0.
TERMINALS: HIGH PERFORMANCE COPPER ALLOY.

⚠ FINISH:
30μ" SELECTIVE GOLD IN CONTACT AREA. SELECTIVE TIN ON PCB TAILS, NICKEL OVERALL.

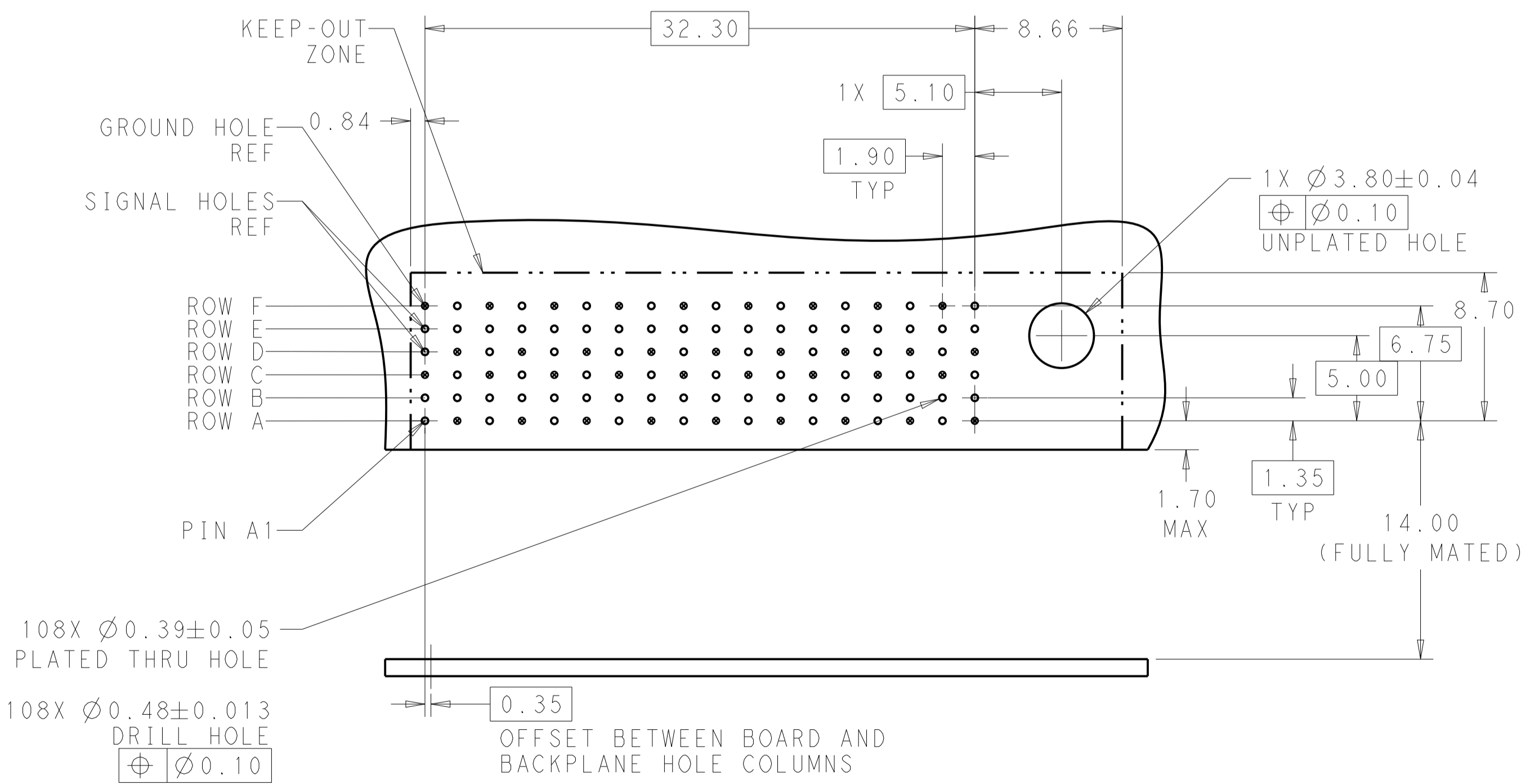
3. CONNECTORS SUPPLIED WITH MOUNTING SCREWS.



SCALE 4:1



REFER TO WWW.TE.COM FOR PRODUCT AVAILABILITY



RECOMMENDED PCB LAYOUT
MIN BOARD THICKNESS 1.6

NONE	⚠	2143945-1
KEY POSITION	FINISH	PART NUMBER

THIS DRAWING IS A CONTROLLED DOCUMENT.		OWN: Z. MILLER 24SEP2010	
DIMENSIONS: mm		CHK: D. DIXON 24SEP2010	
TOLERANCES UNLESS OTHERWISE SPECIFIED:		APVD: D. DIXON 24SEP2010	NAME: IMPACT, 2 PAIR, DAUGHTERCARD
0 PLC ±		PRODUCT SPEC	18 COLUMN, RIGHT GUIDED, SIGNAL
1 PLC ±0.2		APPLICATION SPEC	MODULE, 0.39 EYELET
2 PLC ±0.10		SIZE	A100779C=2143945
3 PLC ±		WEIGHT	Customer Drawing
4 PLC ±		RESTRICTED TO	
ANGLES ±		SCALE	5:1
MATERIAL: SEE TABLE		SHEET	1 OF 1
		REV	A