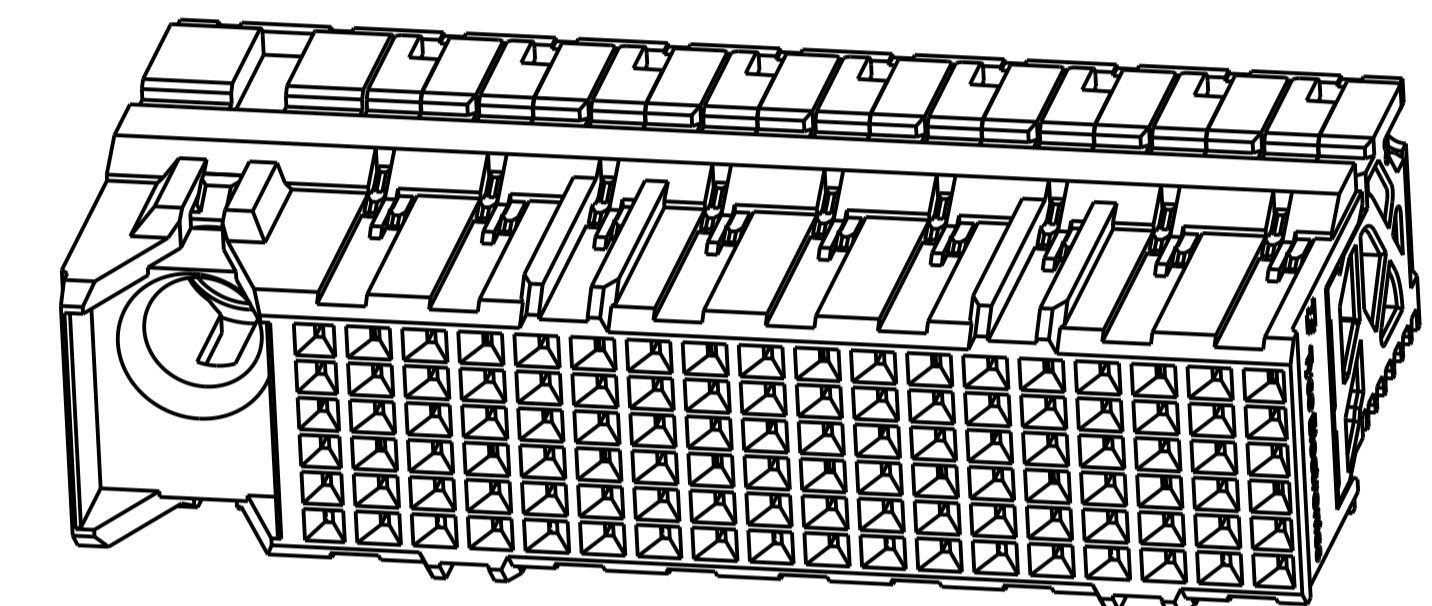
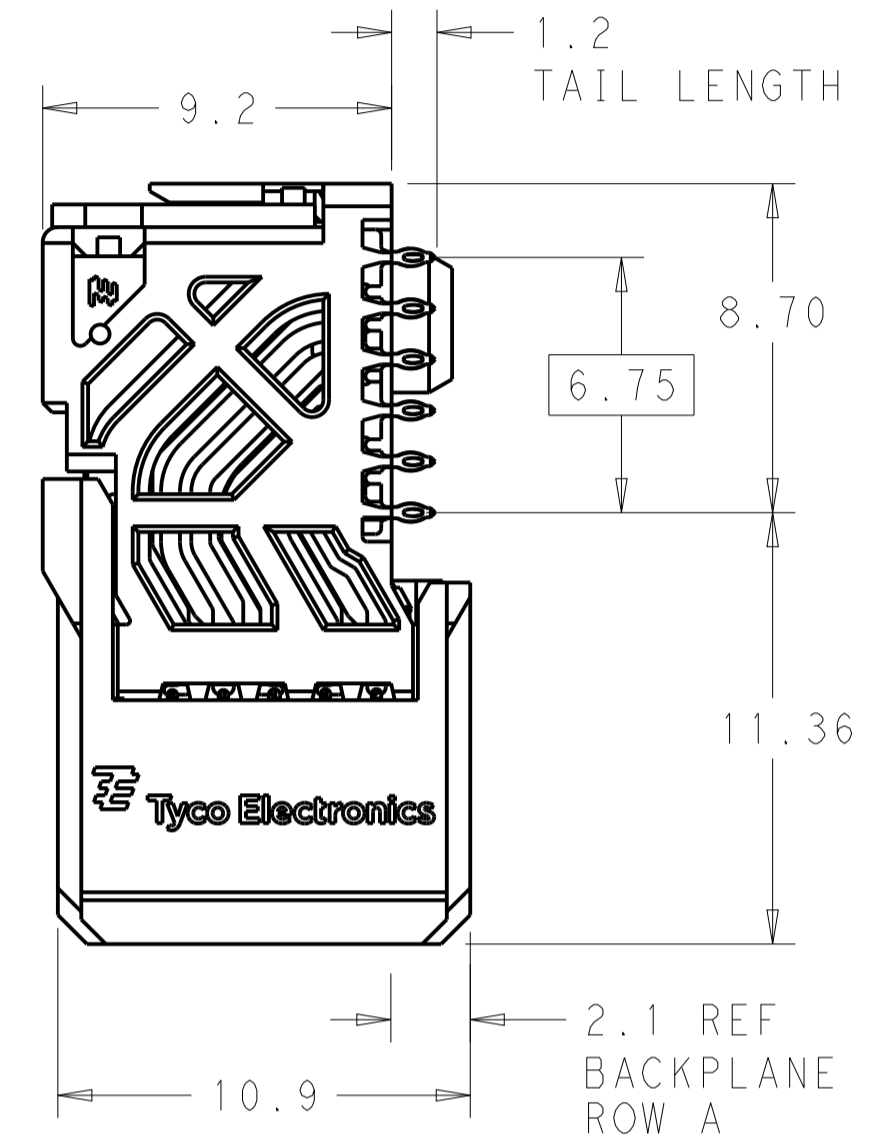
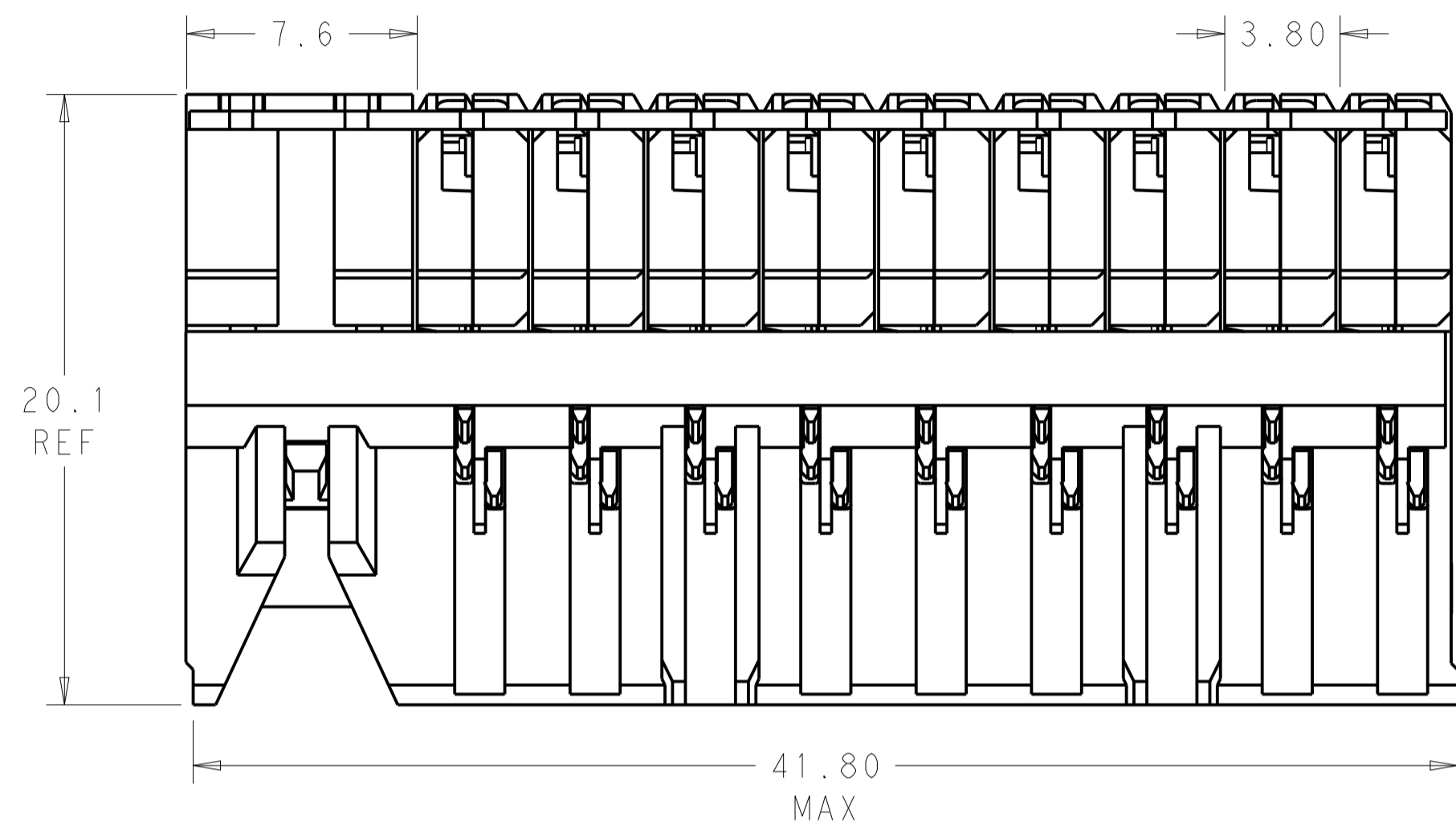


REVISIONS				
P.	LTN	DESCRIPTION	DATE	APVD
A		REVISED PER ECO-14-017984	04DEC2014	AP DD

⚠ MATERIAL:  
HOUSING: LCP, GLASS FILLED, UL94V-0.  
TERMINALS: HIGH PERFORMANCE COPPER ALLOY.

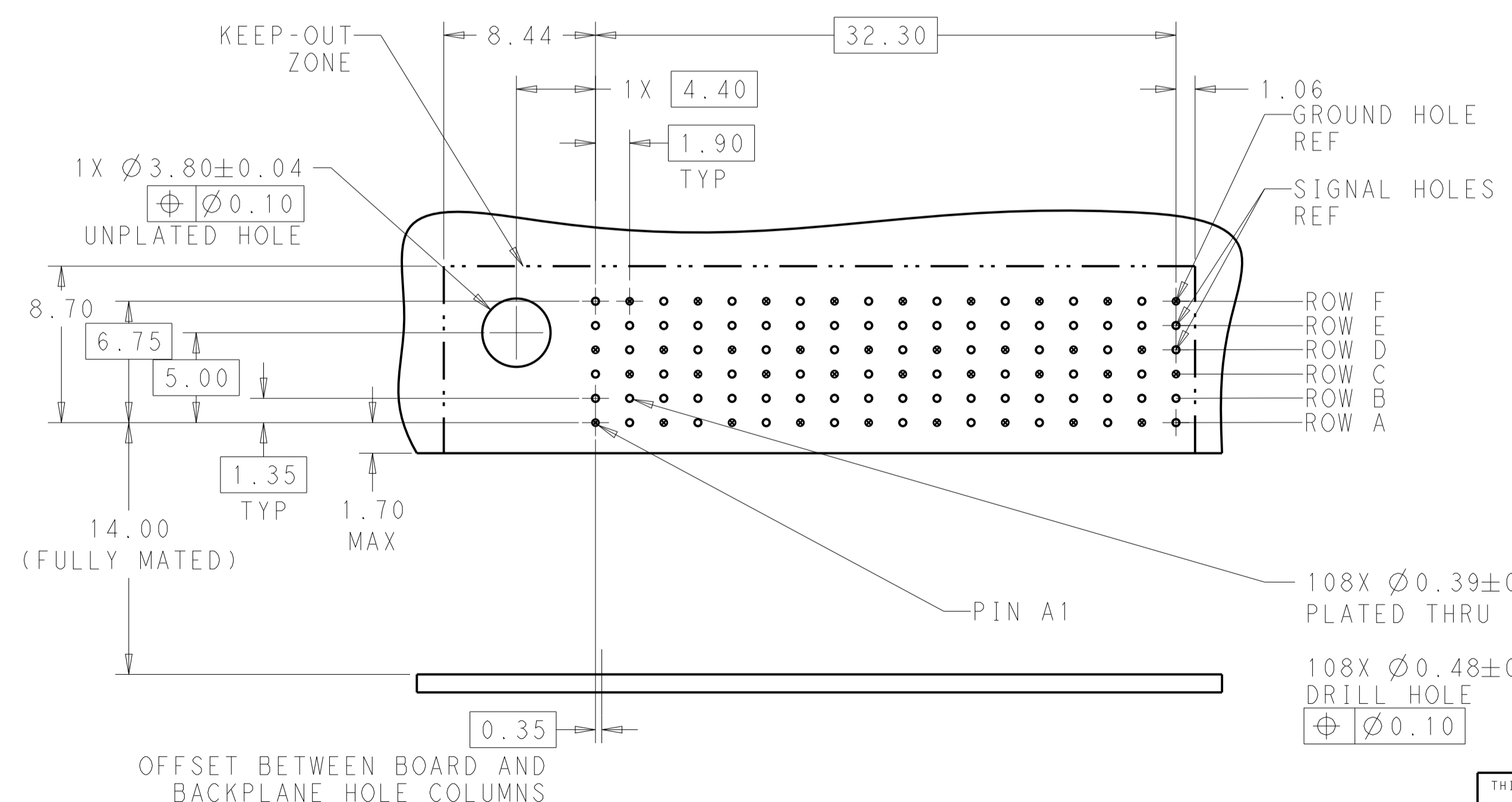
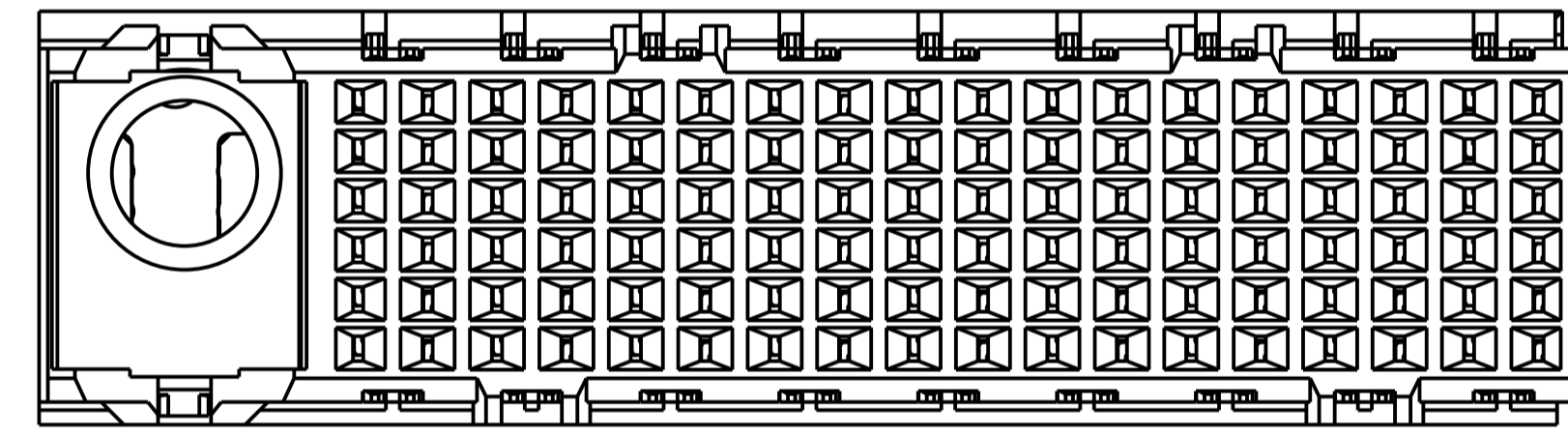
⚠ FINISH:  
30μ" SELECTIVE GOLD IN CONTACT AREA. SELECTIVE TIN ON PCB TAILS, NICKEL OVERALL.

3. CONNECTORS SUPPLIED WITH MOUNTING SCREWS.



SCALE 4:1

REFER TO WWW.TE.COM FOR PRODUCT AVAILABILITY



RECOMMENDED PCB LAYOUT  
MIN BOARD THICKNESS 1.6

NONE	⚠	2143944-1
KEY POSITION	FINISH	PART NUMBER

THIS DRAWING IS A CONTROLLED DOCUMENT.		OWN: Z. MILLER 24SEP2010	TE Connectivity	
DIMENSIONS: mm		CHK: D. DIXON 24SEP2010	NAME: IMPACT, 2 PAIR, DAUGHTERCARD 18 COLUMN, LEFT GUIDED, SIGNAL MODULE, 0.39 EYELET	
TOLERANCES UNLESS OTHERWISE SPECIFIED:		APVD: D. DIXON 24SEP2010	PRODUCT SPEC	
0 PLC ±		APPLICATION SPEC		
1 PLC ±0.2		SIZE: CAGE CODE DRAWING NO. RESTRICTED TO		
2 PLC ±0.10		A100779C=2143944		
3 PLC ±		WEIGHT		
4 PLC ±		Customer Drawing		
ANGLES ±		SCALE 5:1 SHEET 1 OF 1 REV A		
FINISH: SEE TABLE				