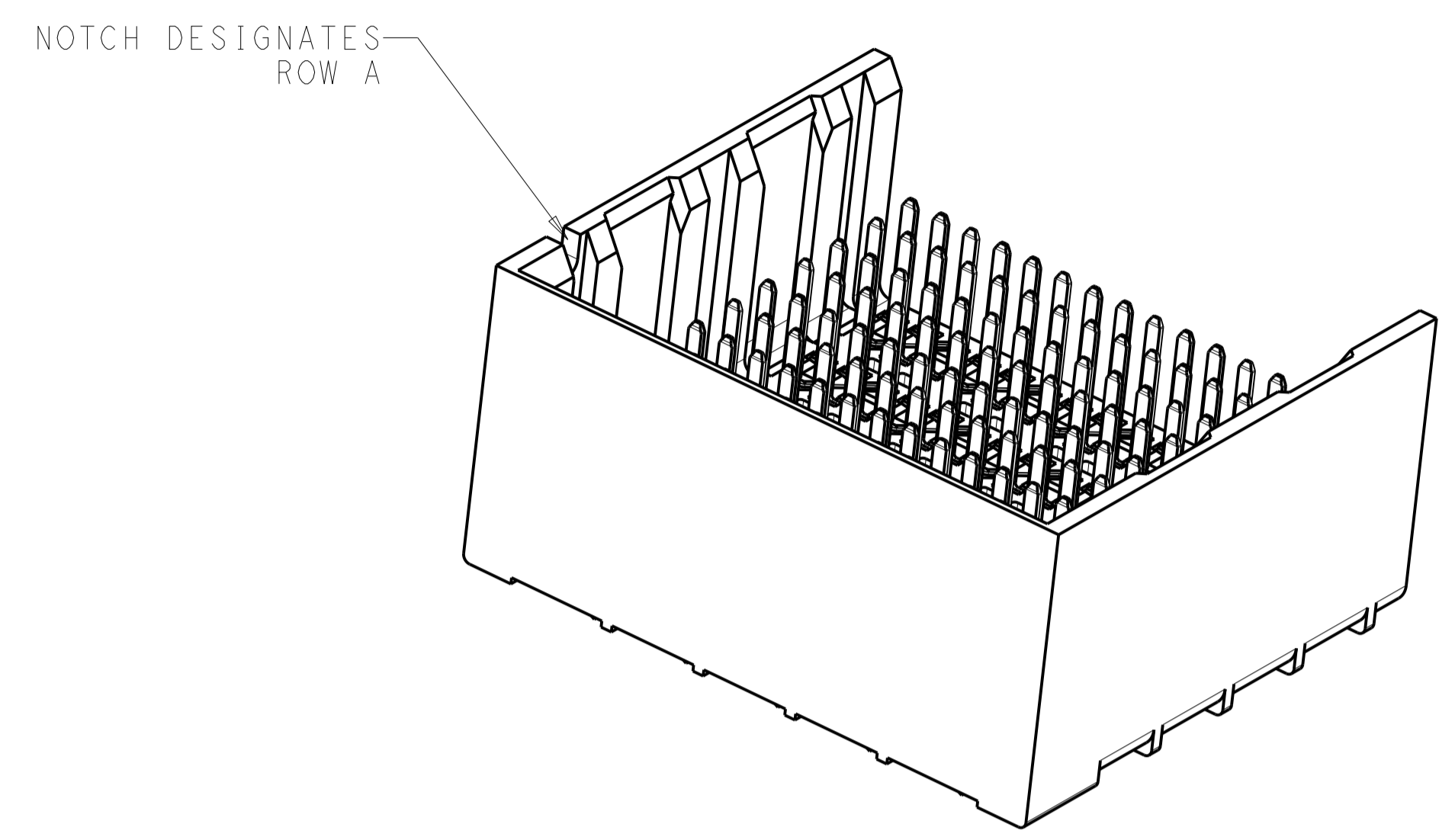
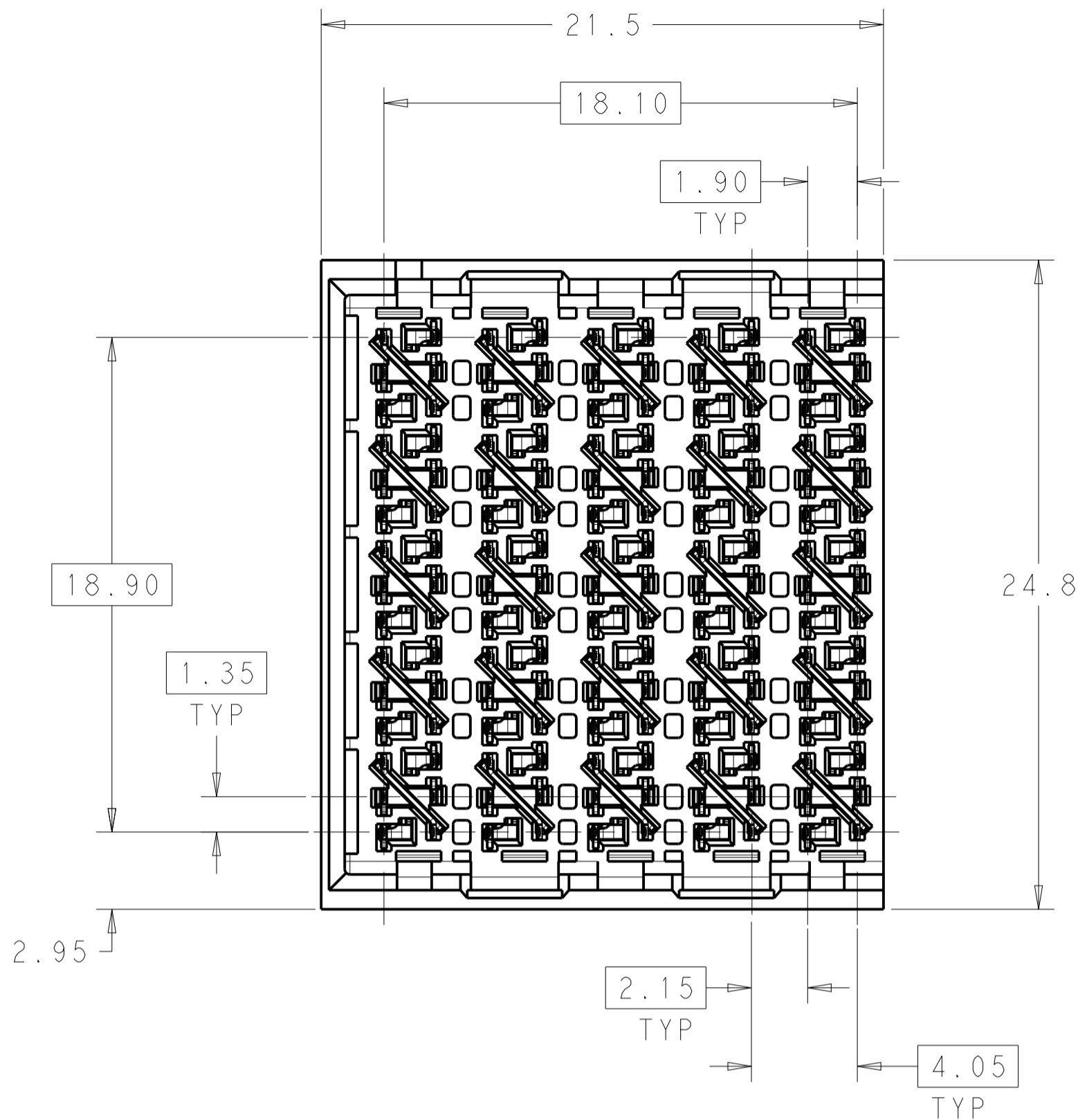
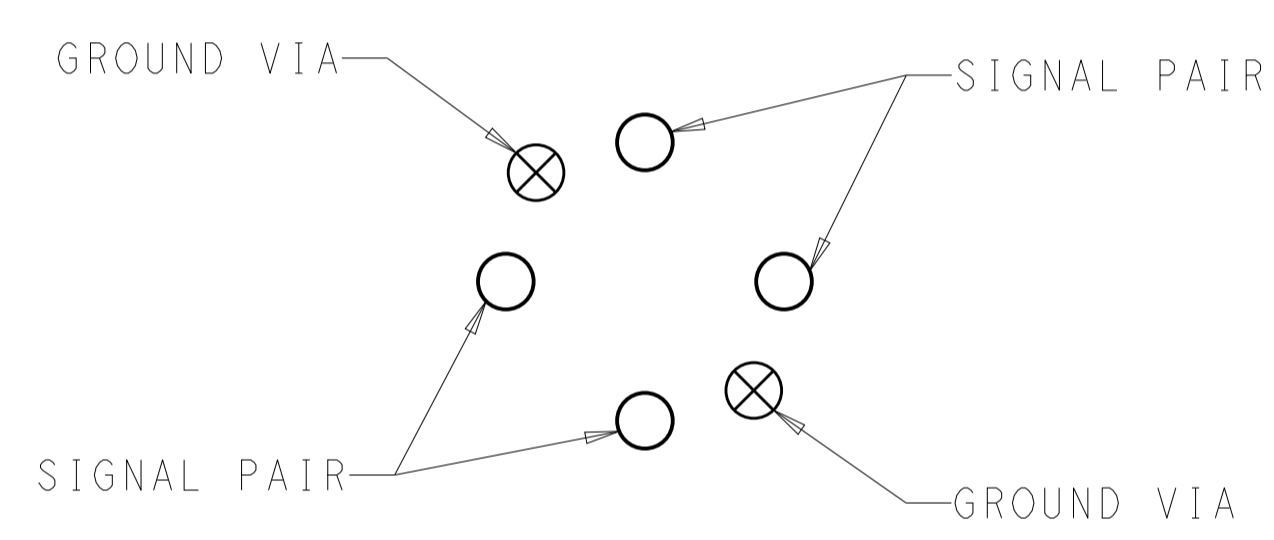


REVISIONS				
P.	LTM	DESCRIPTION	DATE	APV'D
B		REVISED PER ECO-14-013272	09SEP2014	AP DD

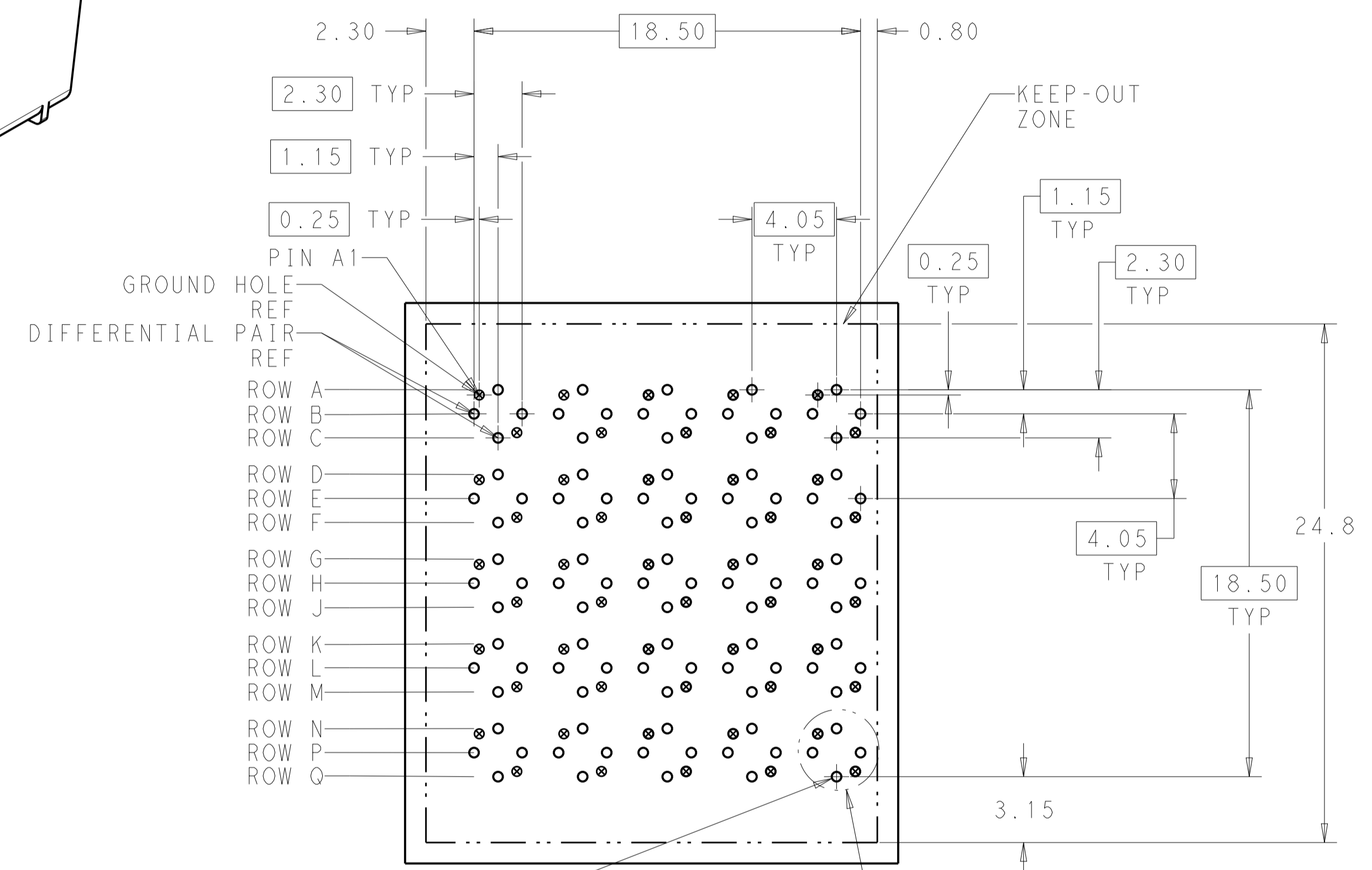


⚠ MATERIAL:
HOUSING: LCP, GLASS FILLED, UL94V-0.
TERMINALS: HIGH PERFORMANCE COPPER ALLOY.

⚠ FINISH:
30μ" MIN GOLD IN CONTACT AREA. SELECTIVE TIN ON PCB TAILS, NICKEL OVERALL.



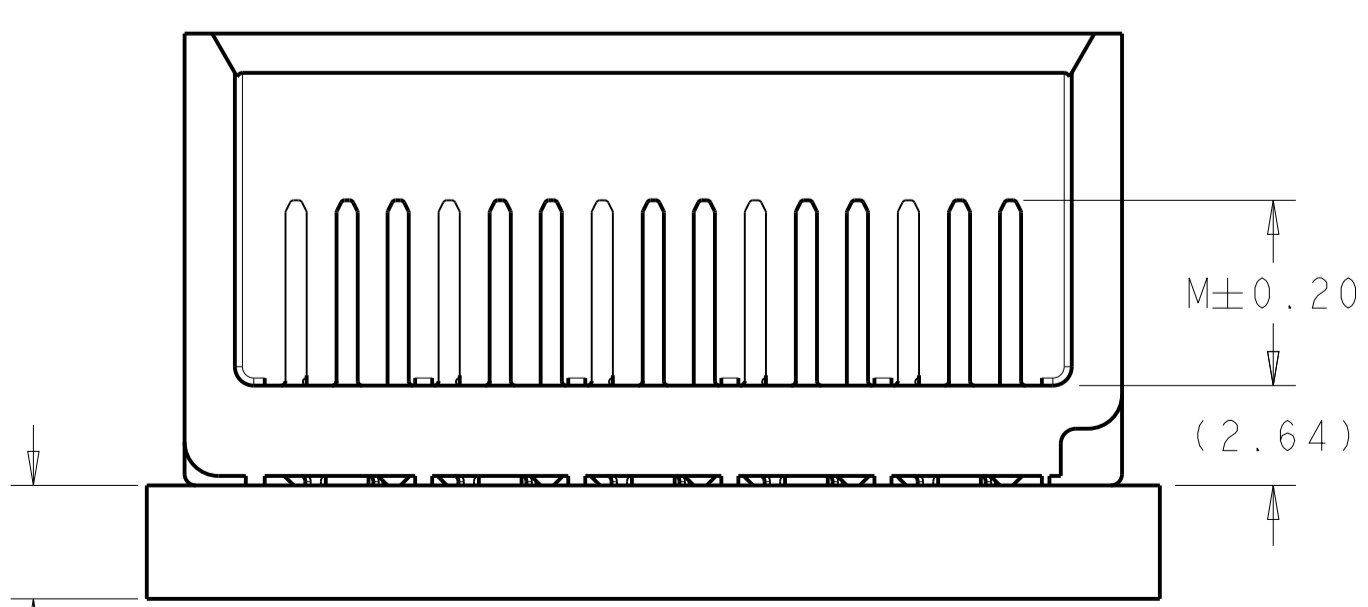
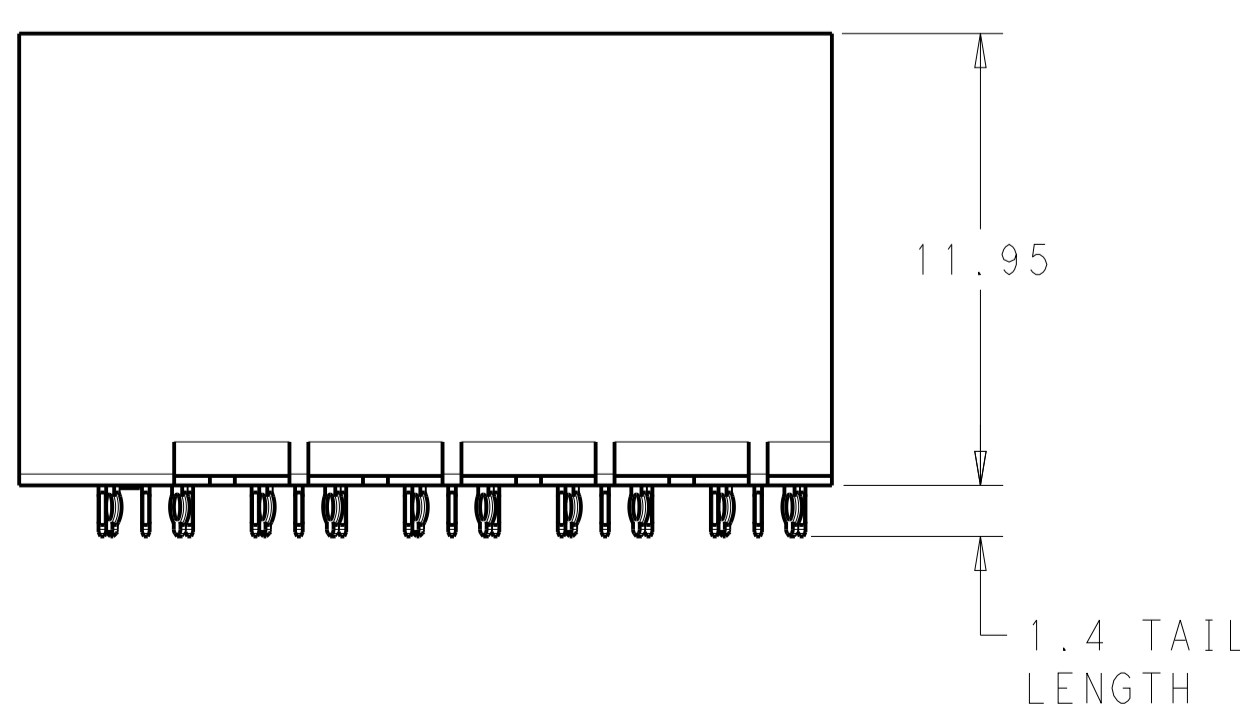
DETAIL X
SCALE 16:1



150X $\varnothing 0.46 \pm 0.08$
PLATED THRU HOLE

150X $\varnothing 0.55 \pm 0.013$
DRILL HOLE

$\varnothing 0.10$



THIS DRAWING IS A CONTROLLED DOCUMENT.		OWN: KIRAN HOLAL 12DEC2012	TE Connectivity										
DIMENSIONS: mm		CHK: D. DIXON 12DEC2012											
TOLERANCES UNLESS OTHERWISE SPECIFIED:		APV'D: D. DIXON 12DEC2012	NAME: IMPACT, ORTHOGONAL, 5 PAIR, 10 COLUMN HEADER, UNGUIDED, LEFT END WALL SIGNAL MODULE, 0.46 PTH										
<table border="1"> <tr><td>0 PLC</td><td>±</td></tr> <tr><td>1 PLC</td><td>±0.25</td></tr> <tr><td>2 PLC</td><td>±0.13</td></tr> <tr><td>3 PLC</td><td>±</td></tr> <tr><td>4 PLC</td><td>±</td></tr> </table>		0 PLC	±	1 PLC	±0.25	2 PLC	±0.13	3 PLC	±	4 PLC	±	PRODUCT SPEC	SIZE: CAGE CODE DRAWING NO. RESTRICTED TO
0 PLC	±												
1 PLC	±0.25												
2 PLC	±0.13												
3 PLC	±												
4 PLC	±												
MATERIAL: SEE TABLE		APPLICATION SPEC	A100779C=2143627										
FINISH: SEE TABLE		WEIGHT	CUSTOMER DRAWING										
ANGLES: ±		SCALE: 5:1	SHEET 1 OF 2										
REVISIONS: SEE TABLE		REV: B											

THIS DRAWING IS UNPUBLISHED. RELEASED FOR PUBLICATION 20
 © COPYRIGHT 20 TE CONNECTIVITY ALL RIGHTS RESERVED.

REVISIONS					
P.	LTN	DESCRIPTION	DATE	DMN	APVD
-	-	SEE SHEET 1	-	-	-

	5.5	2143627-2
	4.9	2143627-1
FINISH	DIM M	PART NUMBER

REFER TO WWW.TE.COM
FOR PRODUCT AVAILABILITY

THIS DRAWING IS A CONTROLLED DOCUMENT.		DMN KIRAN HOLAL 12DEC2012	
		CHK D. DIXON 12DEC2012	
DIMENSIONS:		APVD D. DIXON 12DEC2012	NAME IMPACT, ORTHOGONAL, 5 PAIR, 10 COLUMN HEADER, UNGUIDED, LEFT END WALL SIGNAL MODULE, 0.46 PTH
mm		PRODUCT SPEC	
TOLERANCES UNLESS OTHERWISE SPECIFIED:		APPLICATION SPEC	SIZE CAGE CODE DRAWING NO RESTRICTED TO
0 PLC ±		WEIGHT	
1 PLC ±0.25		CUSTOMER DRAWING	SCALE 5:1 SHEET 2 OF 2 REV B
2 PLC ±0.13			
3 PLC ±			
4 PLC ±			
ANGLES ±			
FINISH SEE TABLE			