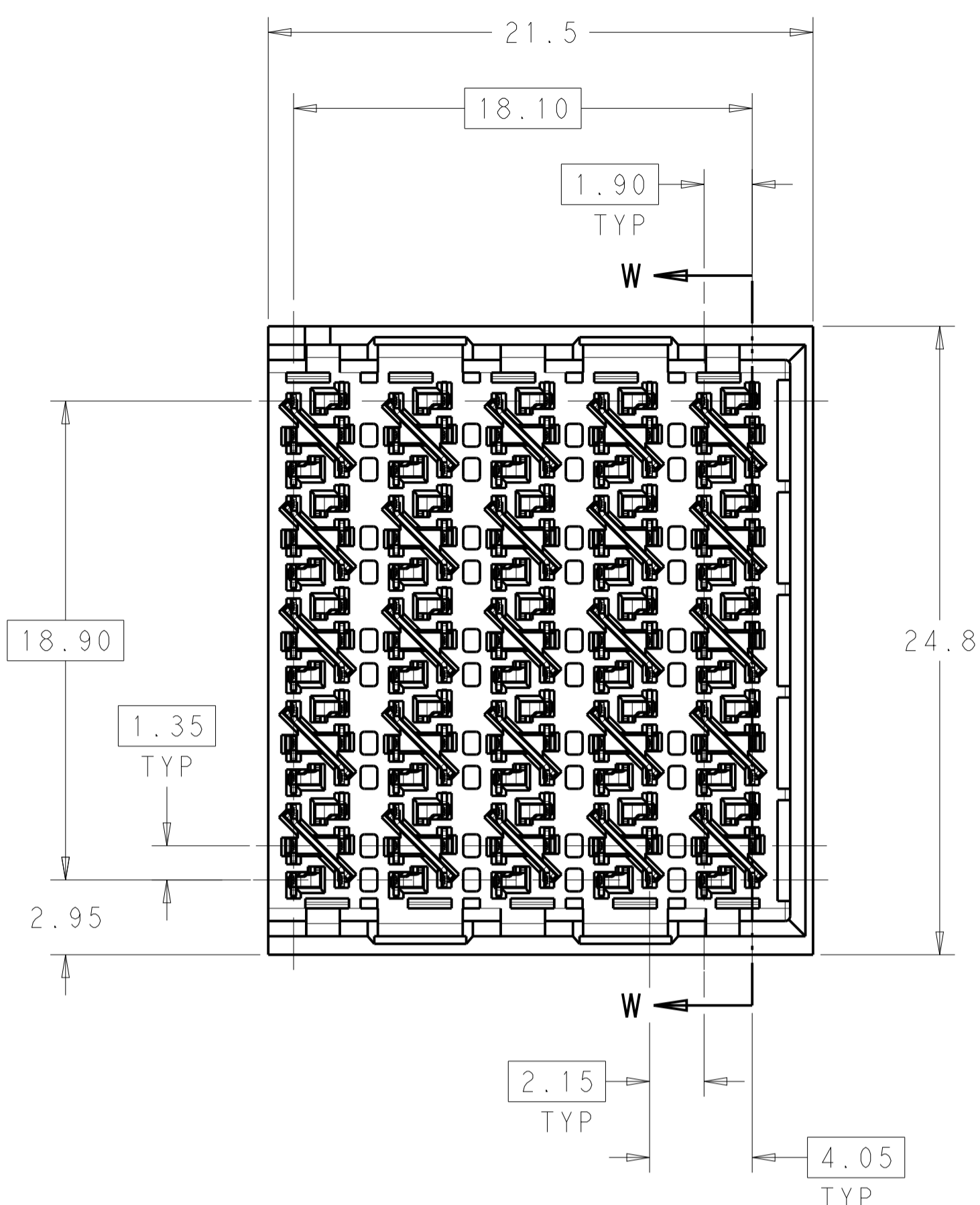
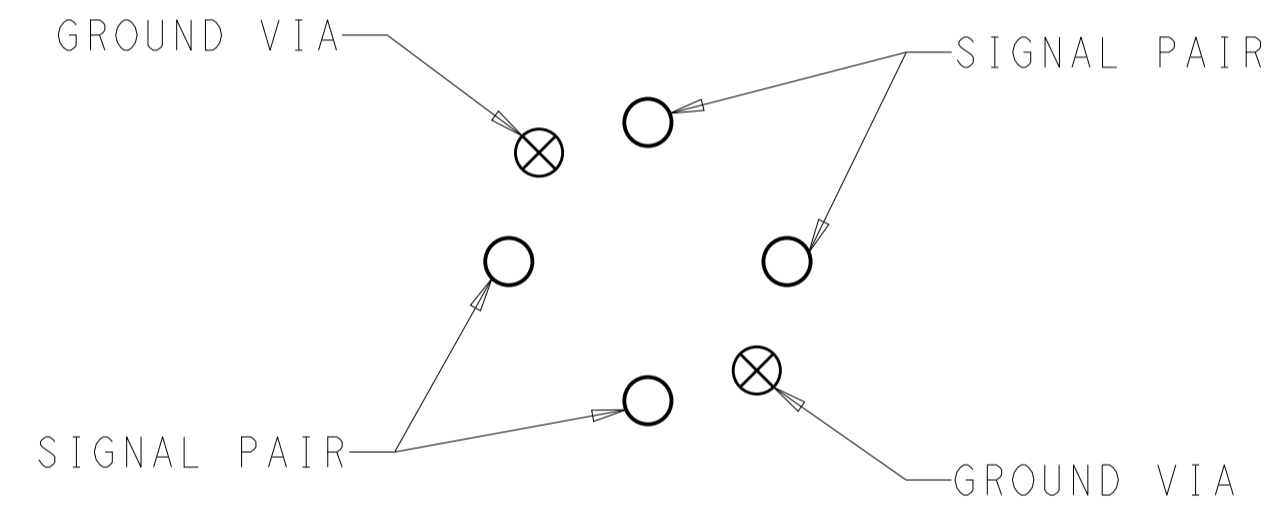
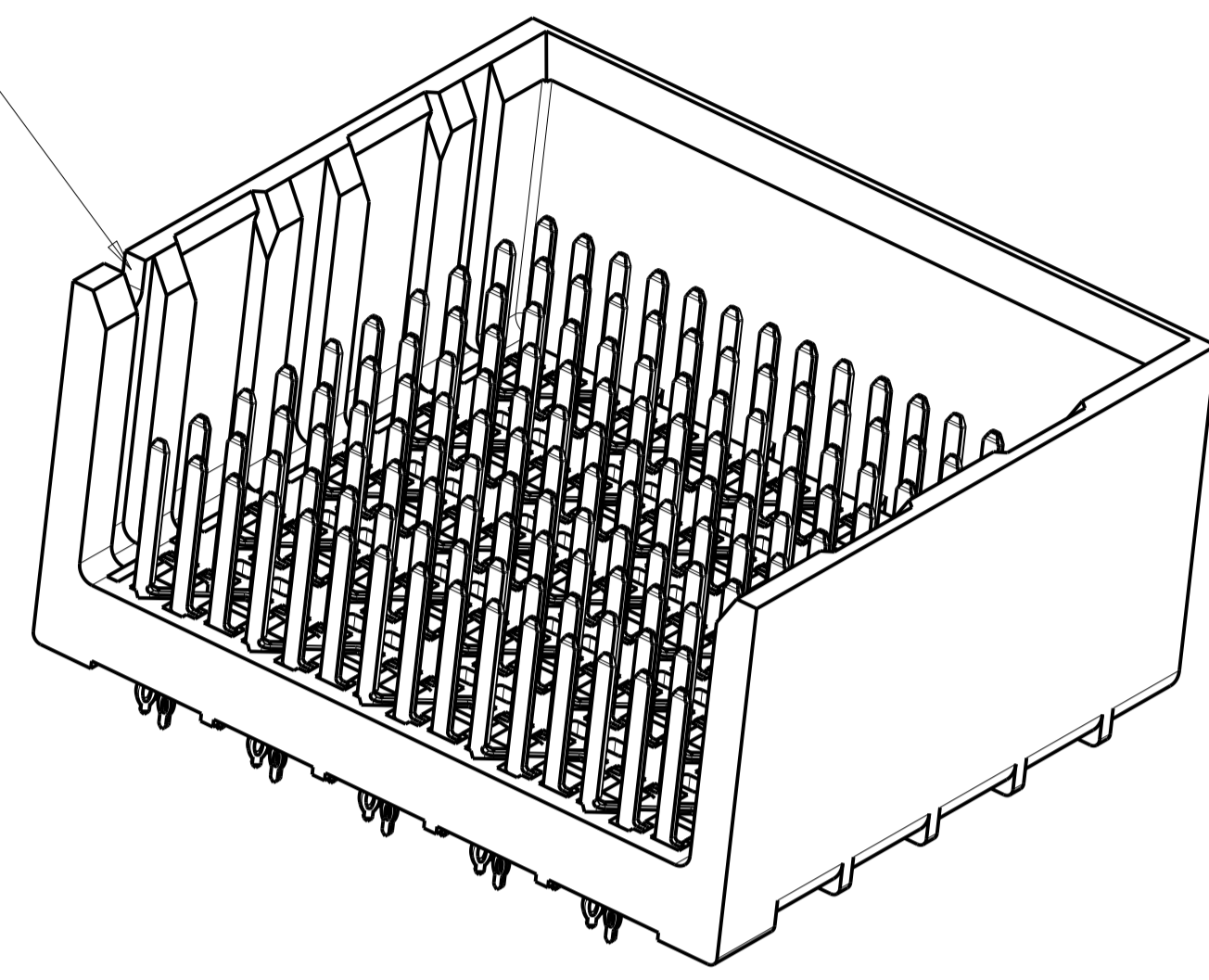


REVISIONS				
P.	LTN.	DESCRIPTION	DATE	APVD.
B		REVISED PER ECO-14-013272	09SEP2014	AP DD

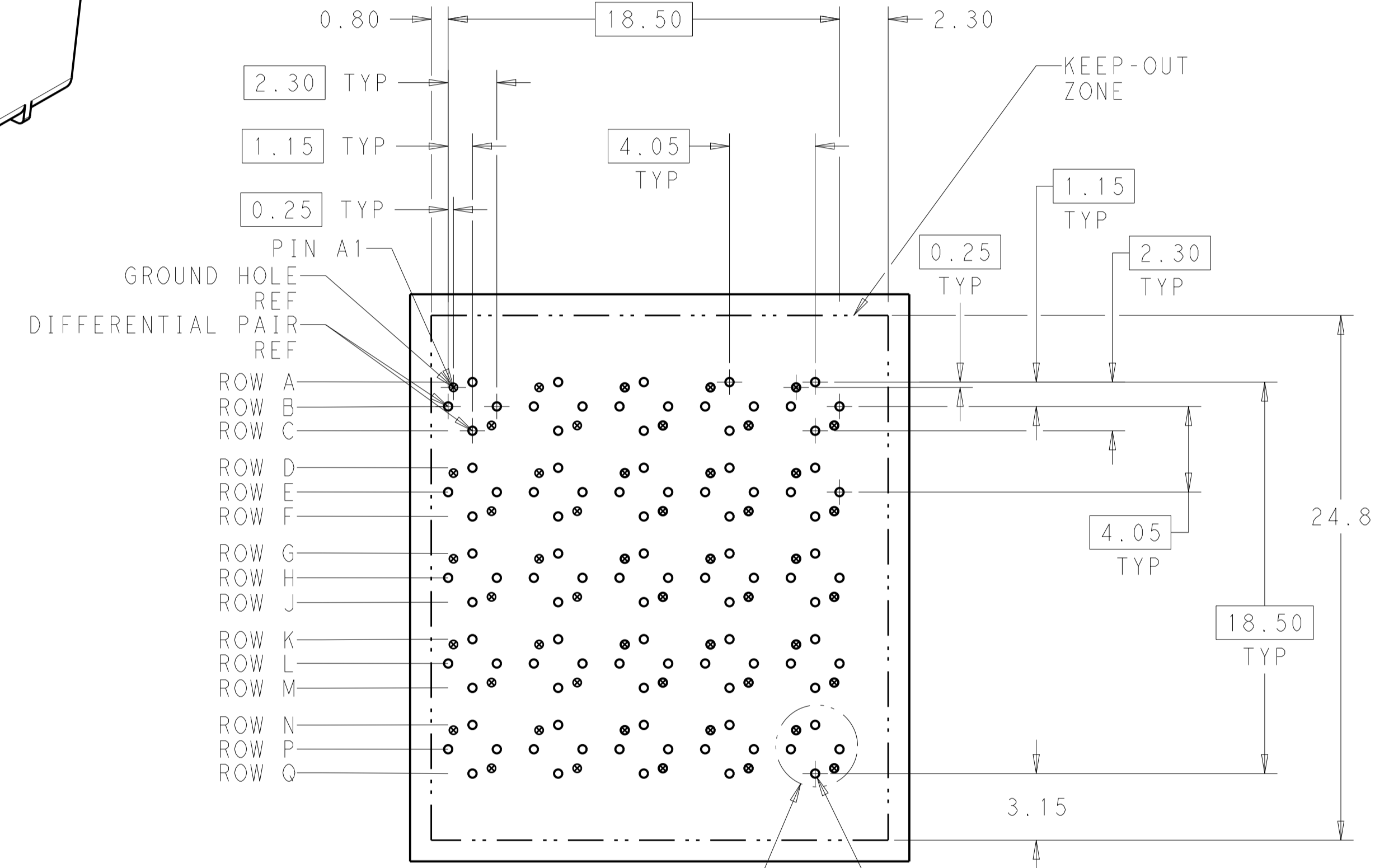


NOTCH DESIGNATES ROW A

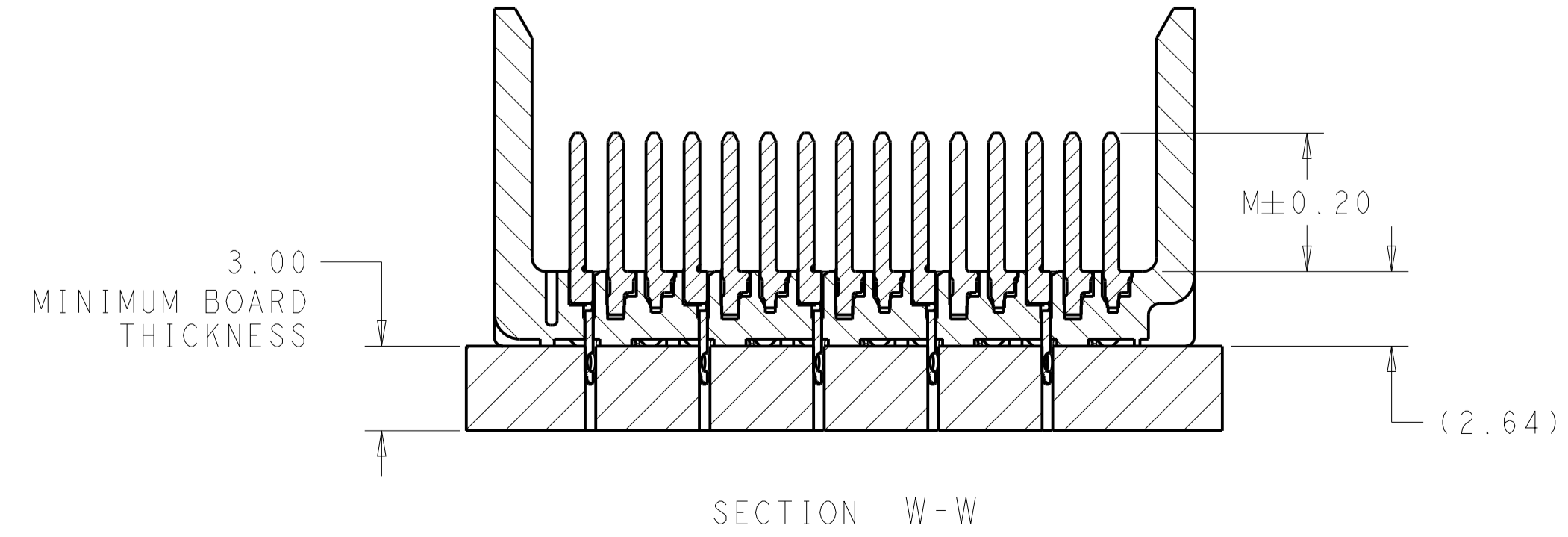
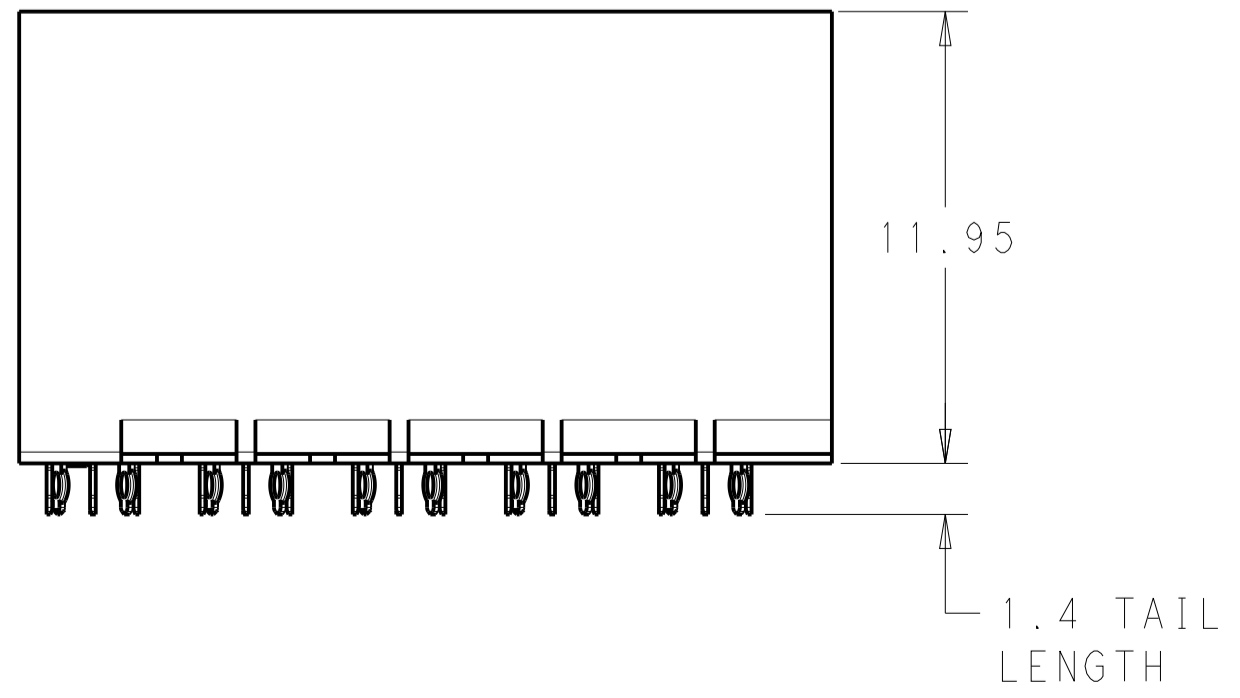


DETAIL X
SCALE 16:1

- 1 MATERIAL:
HOUSING: LCP, GLASS FILLED, UL94V-0.
TERMINALS: HIGH PERFORMANCE COPPER ALLOY.
- 2 FINISH:
30μ" MIN GOLD IN CONTACT AREA. SELECTIVE TIN ON PCB TAILS, NICKEL OVERALL.



SEE DETAIL X
150X Ø0.39±0.08 PLATED THRU HOLE
150X Ø0.48±0.013 DRILL HOLE
Ø0.10
UNGUIDED BACKPLANE HOLE PATTERN (CONNECTOR SIDE)



THIS DRAWING IS A CONTROLLED DOCUMENT.		DWN: KIRAN HOLAL 29NOV2012	TE Connectivity
DIMENSIONS: mm		CHK: D. DIXON 29NOV2012	
TOLERANCES UNLESS OTHERWISE SPECIFIED:		APVD: D. DIXON 29NOV2012	NAME: IMPACT, ORTHOGONAL, 5 PAIR, 10 COLUMN HEADER, UNGUIDED, RIGHT END WALL SIGNAL MODULE, 0.39 PTH
0 PLC ±	1 PLC ±0.25	PRODUCT SPEC	SIZE: CAGE CODE DRAWING NO. RESTRICTED TO
2 PLC ±0.13	3 PLC ±	APPLICATION SPEC	A100779C=2143626
4 PLC ±	ANGLES ±	WEIGHT	SCALE 5:1 SHEET 1 OF 2 REV B
MATERIAL FINISH SEE TABLE		CUSTOMER DRAWING	

THIS DRAWING IS UNPUBLISHED. RELEASED FOR PUBLICATION 20
 © COPYRIGHT 20 TE CONNECTIVITY ALL RIGHTS RESERVED.

REVISIONS				
P.	LTN	DESCRIPTION	DATE	APVD
-	-	SEE SHEET 1	-	-

	5.5	2143626-2
	4.9	2143626-1
FINISH	DIM M	PART NUMBER

REFER TO WWW.TE.COM
FOR PRODUCT AVAILABILITY

THIS DRAWING IS A CONTROLLED DOCUMENT.		DWN: KIRAN HOLAL 29NOV2012 CHK: D. DIXON 29NOV2012		
DIMENSIONS:	TOLERANCES UNLESS OTHERWISE SPECIFIED:	APVD: D. DIXON 29NOV2012	NAME:	IMPACT, ORTHOGONAL, 5 PAIR, 10 COLUMN
mm	0 PLC ±0.25 2 PLC ±0.13 3 PLC ± 4 PLC ±	PRODUCT SPEC:	APPLICATION SPEC:	HEADER, UNGUIDED, RIGHT END WALL
	ANGLES	SIZE: A100779	CAGE CODE: C=2143626	DRAWING NO: 2143626
MATERIAL:	FINISH:	WEIGHT:	CUSTOMER DRAWING	RESTRICTED TO:
-	SEE TABLE	-	SCALE: 5:1	SHEET 2 OF 2
-	-	-	REV: B	-