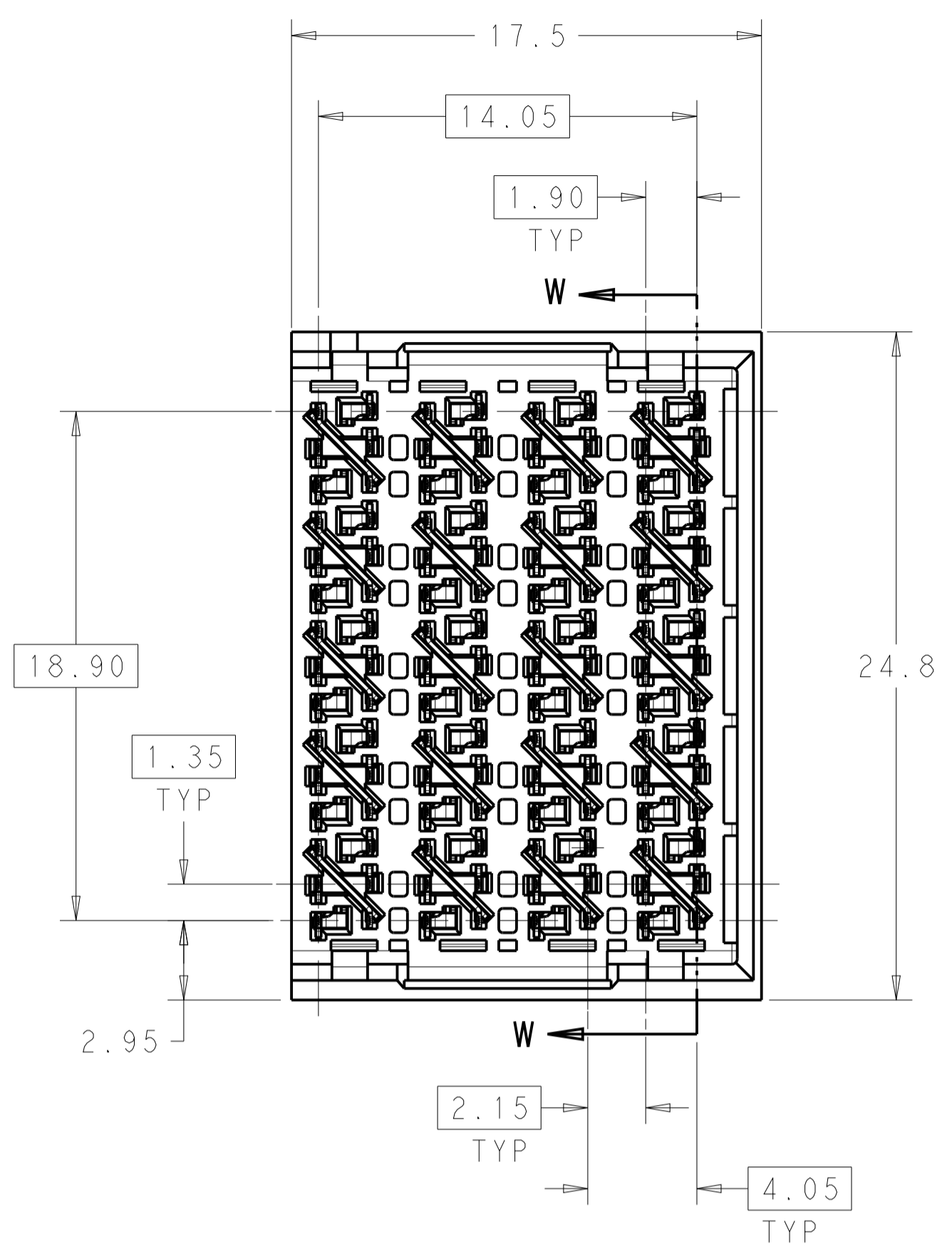
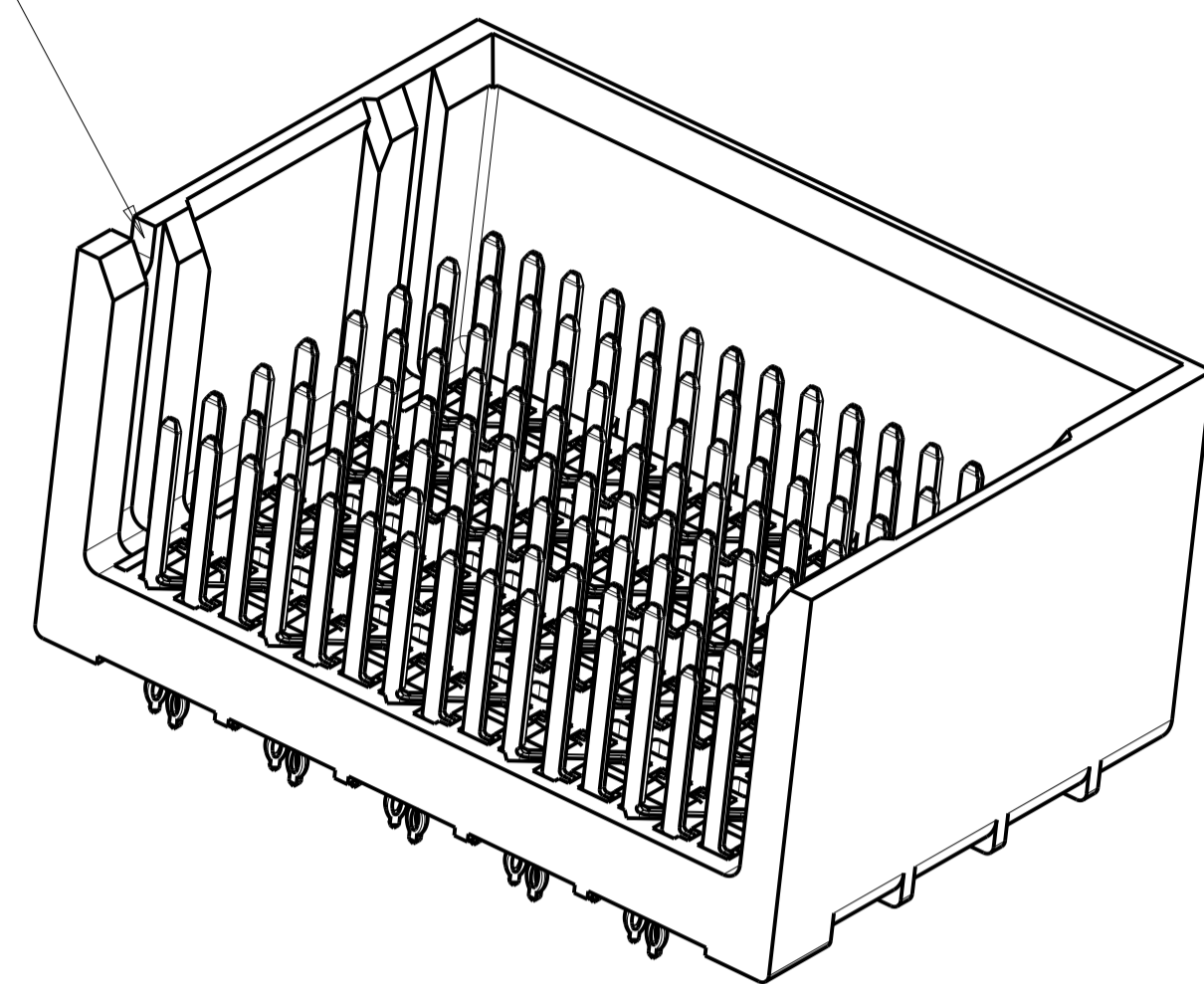


REVISIONS				
P.	LTN	DESCRIPTION	DATE	APVD
B		REVISED PER ECO-14-013272	09SEP2014	AP DD

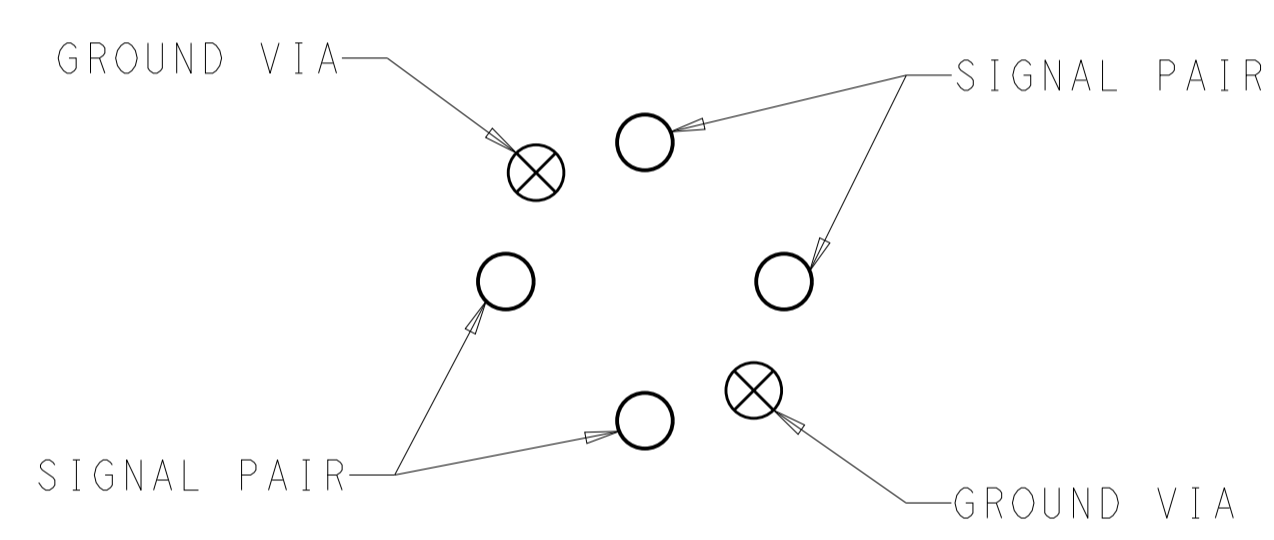


NOTCH DESIGNATES ROW A

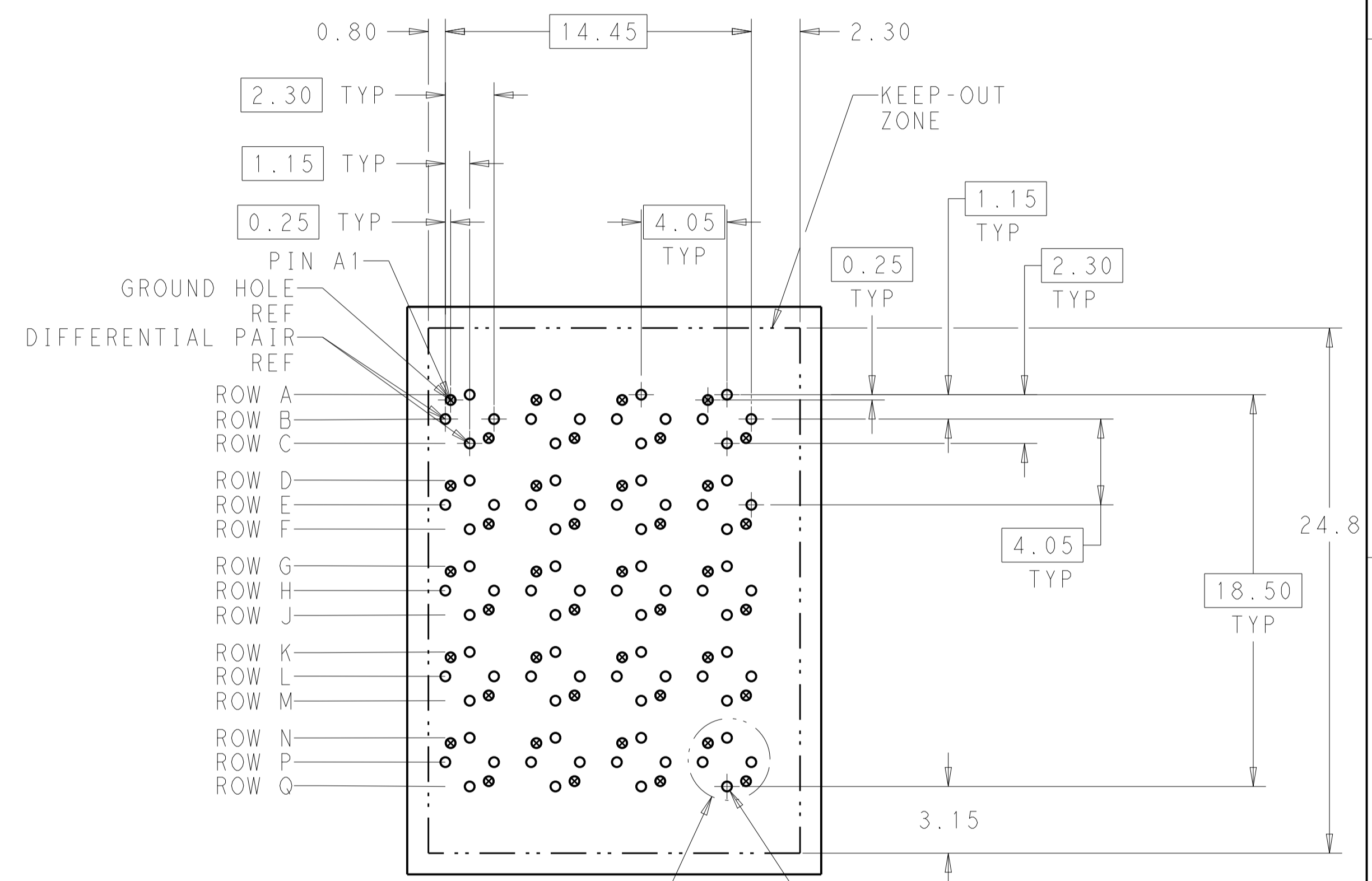


△ MATERIAL:
HOUSING: LCP, GLASS FILLED, UL94V-0.
TERMINALS: HIGH PERFORMANCE COPPER ALLOY.

△ FINISH:
30μ" MIN GOLD IN CONTACT AREA. SELECTIVE TIN ON PCB TAILS, NICKEL OVERALL.



DETAIL X
SCALE 16:1



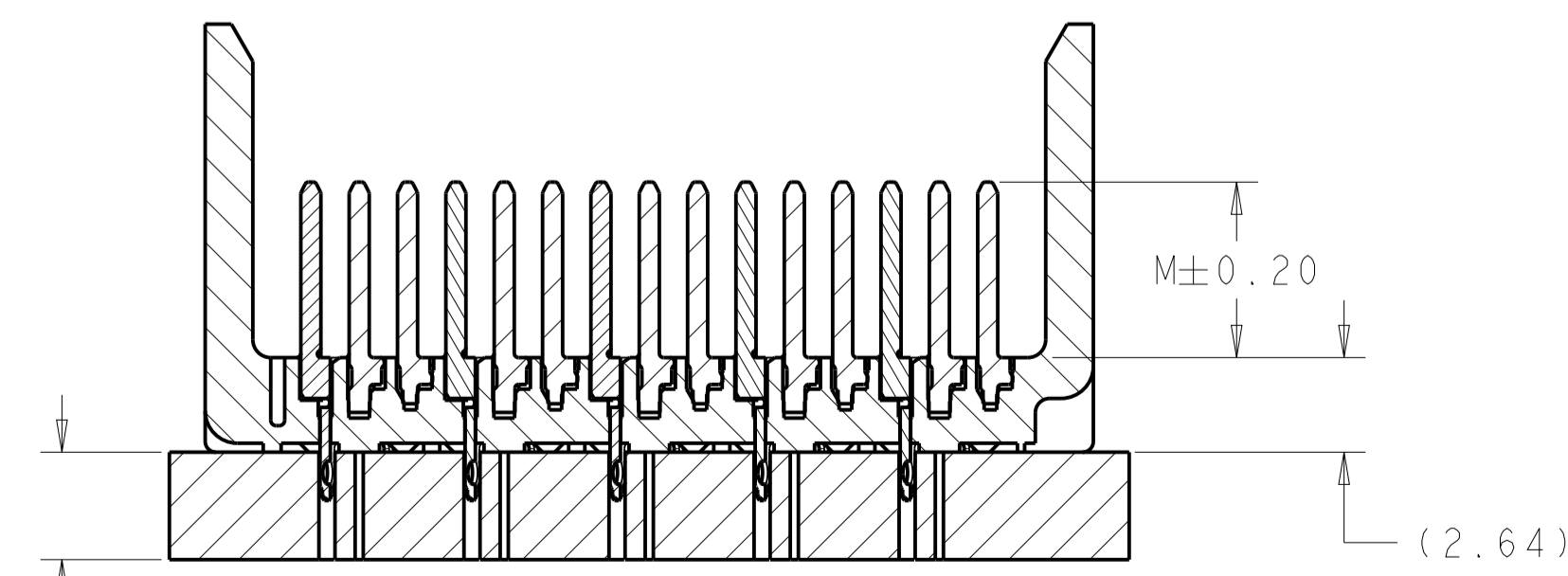
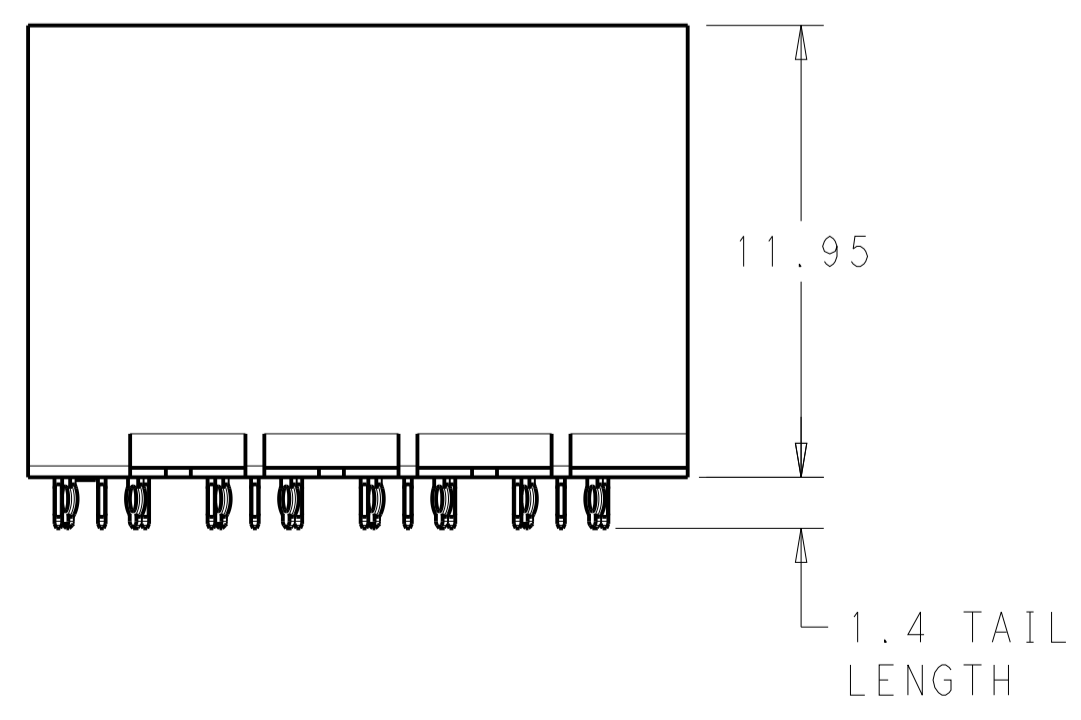
SEE DETAIL X

120X $\varnothing 0.46 \pm 0.08$ PLATED THRU HOLE

120X $\varnothing 0.55 \pm 0.013$ DRILL HOLE

UNGUIDED BACKPLANE HOLE PATTERN (CONNECTOR SIDE)

$\varnothing 0.10$



SECTION W-W

3.00 MINIMUM BOARD THICKNESS

THIS DRAWING IS A CONTROLLED DOCUMENT.		OWN: KIRAN HOLH 30NOV2012	TE Connectivity
DIMENSIONS: mm		CHK: D. DIXON 30NOV2012	
TOLERANCES UNLESS OTHERWISE SPECIFIED:		APVD: D. DIXON 30NOV2012	NAME: IMPACT, ORTHOGONAL, 5 PAIR, 8 COLUMN HEADER, UNGUIDED, RIGHT END WALL SIGNAL MODULE, 0.46 PTH
0 PLC ±0.1	1 PLC ±0.10	PRODUCT SPEC	SIZE: CAGE CODE DRAWING NO
2 PLC ±0.13	3 PLC ±0.001	APPLICATION SPEC	RESTRICTED TO
4 PLC ±0.001	ANGLES ±0.001	WEIGHT	A100779C=2143624
MATERIAL	FINISH	Customer Drawing	SCALE 5:1 SHEET 1 OF 2 REV B

THIS DRAWING IS UNPUBLISHED. RELEASED FOR PUBLICATION 20
 © COPYRIGHT 20 BY ALL RIGHTS RESERVED.

REVISIONS				
P.	LTN	DESCRIPTION	DATE	APVD
-	-	SEE SHEET 1	-	-

	5.5	2143624-2
	4.9	2143624-1
FINISH	DIM M	PART NUMBER

REFER TO WWW.TE.COM
FOR PRODUCT AVAILABILITY

THIS DRAWING IS A CONTROLLED DOCUMENT.		DWN: KIRAN HOLH 30NOV2012	
		CHK: D. DIXON 30NOV2012	
DIMENSIONS:		APVD: D. DIXON 30NOV2012	NAME: IMPACT, ORTHOGONAL, 5 PAIR, 8 COLUMN
mm	TOLERANCES UNLESS OTHERWISE SPECIFIED:	PRODUCT SPEC	HEADER, UNGUIDED, RIGHT END WALL
	0 PLC ±	APPLICATION SPEC	SIGNAL MODULE, 0.46 PTH
	1 PLC ±0.1	RESTRICTED TO	SIZE: A1 CAGE CODE: 2143624 DRAWING NO: 2143624
	2 PLC ±0.10	WEIGHT	SCALE: 5:1 SHEET 2 OF 2 REV B
	3 PLC ±0.013	Customer Drawing	
	4 PLC ±0.0001		
	ANGLES ±0.0001		
MATERIAL	FINISH		