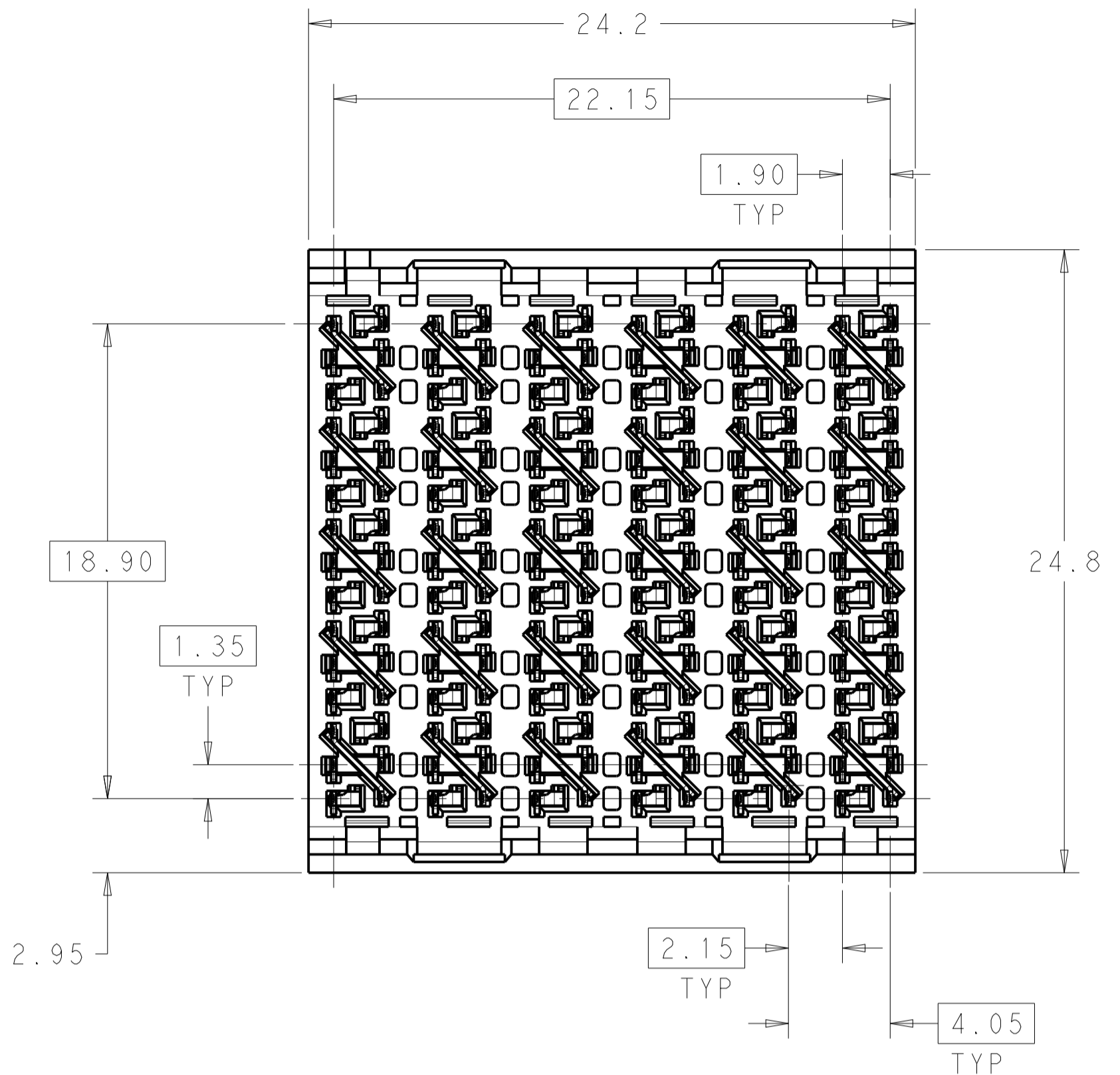
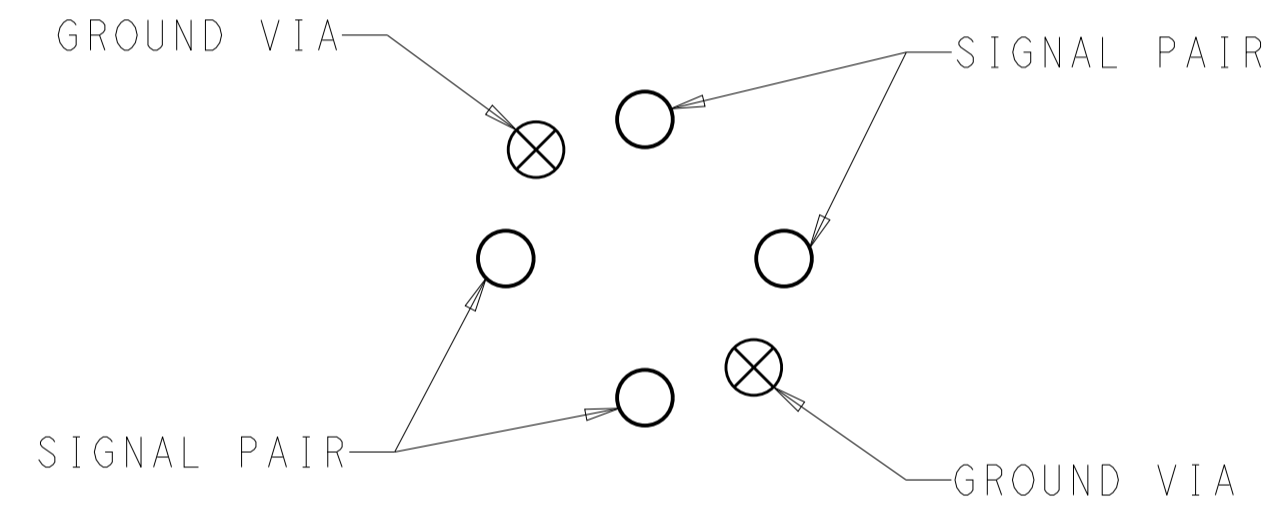
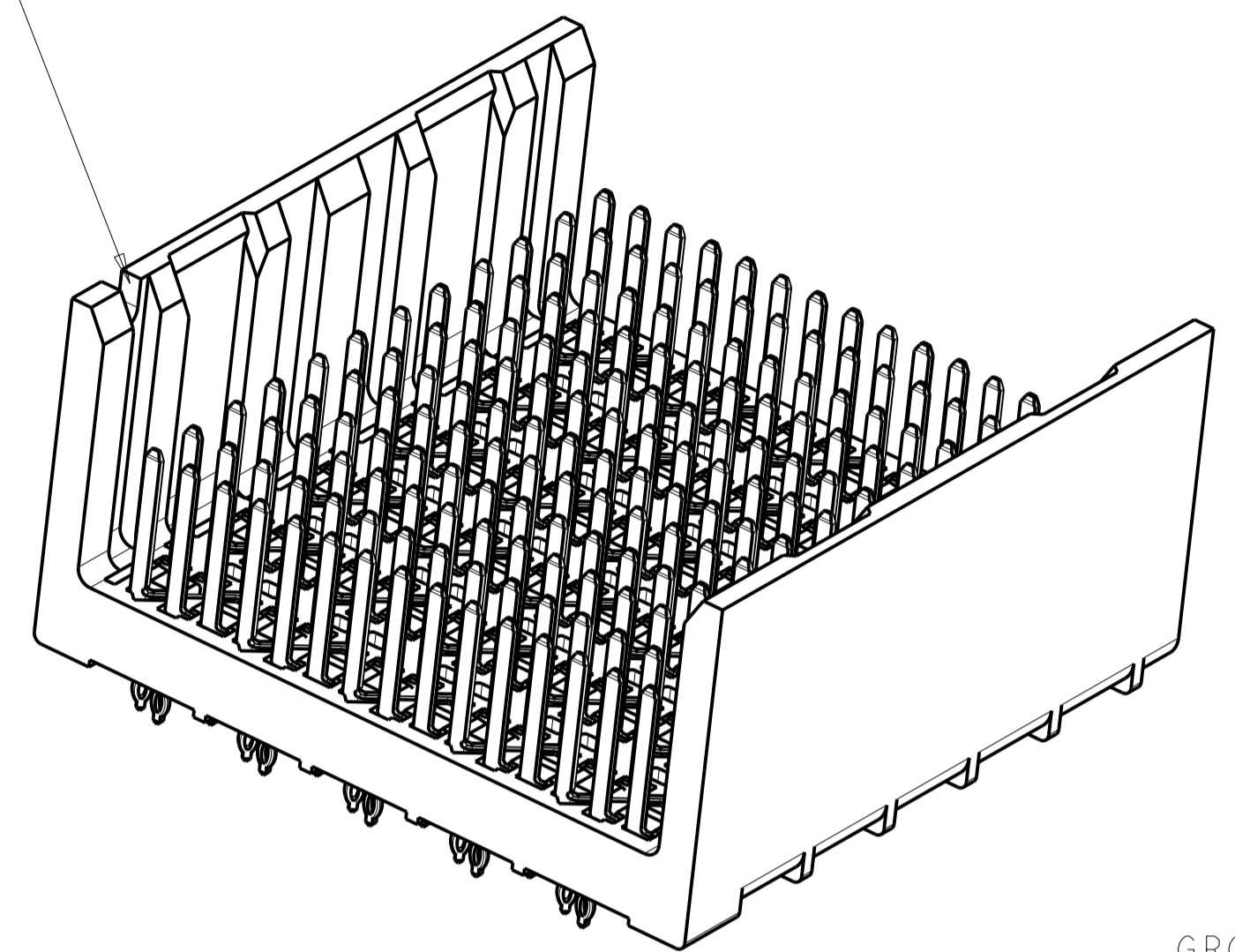


REVISIONS				
P.	LTN	DESCRIPTION	DATE	APV
B		REVISED PER ECO-14-013272	09SEP2014	AP DD

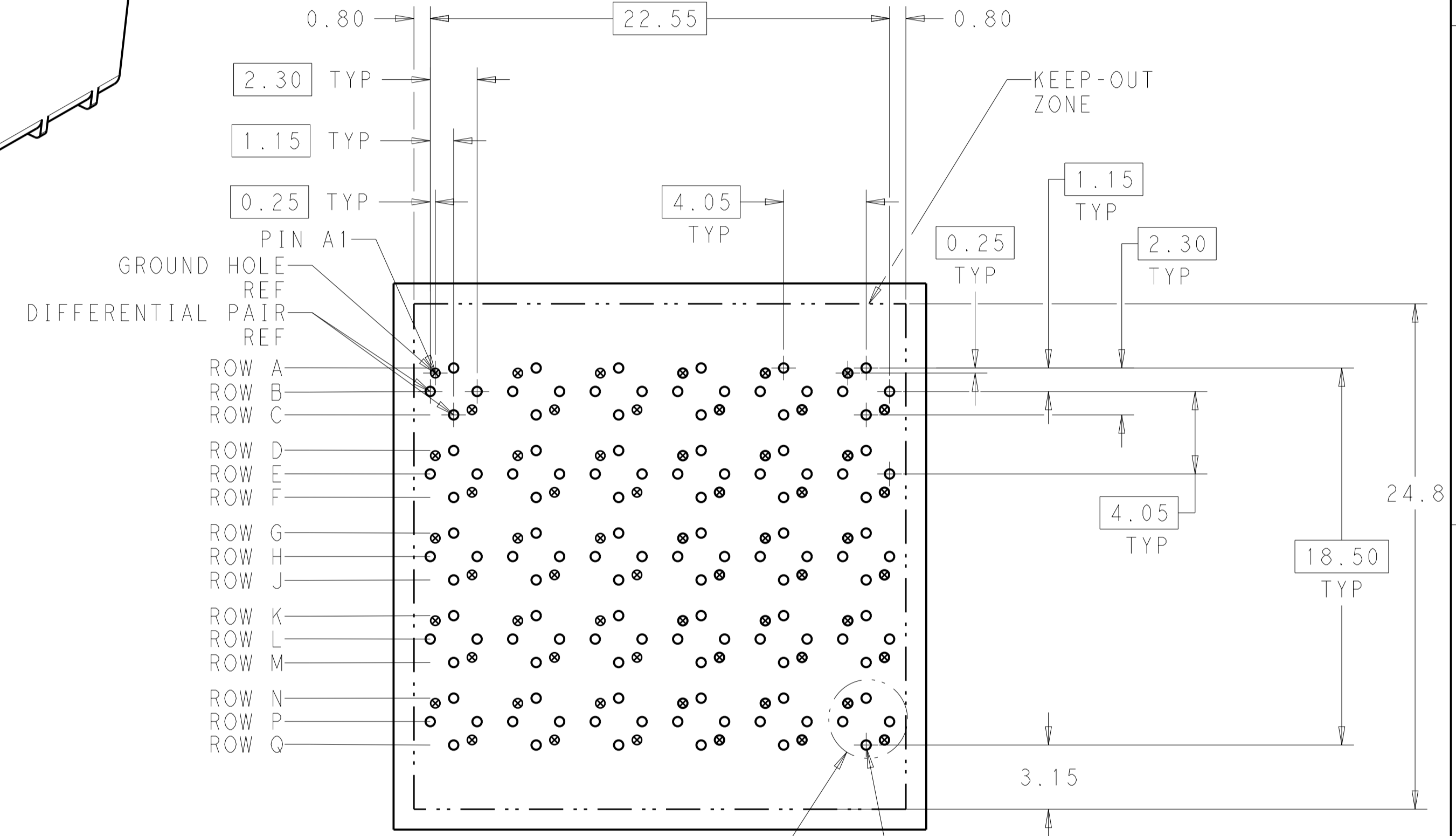


NOTCH DESIGNATES ROW A



DETAIL X
SCALE 16:1

- 1 MATERIAL:
HOUSING: LCP, GLASS FILLED, UL94V-0.
TERMINALS: HIGH PERFORMANCE COPPER ALLOY.
- 2 FINISH:
30µ" MIN GOLD IN CONTACT AREA. SELECTIVE TIN ON PCB TAILS, NICKEL OVERALL.



SEE DETAIL X

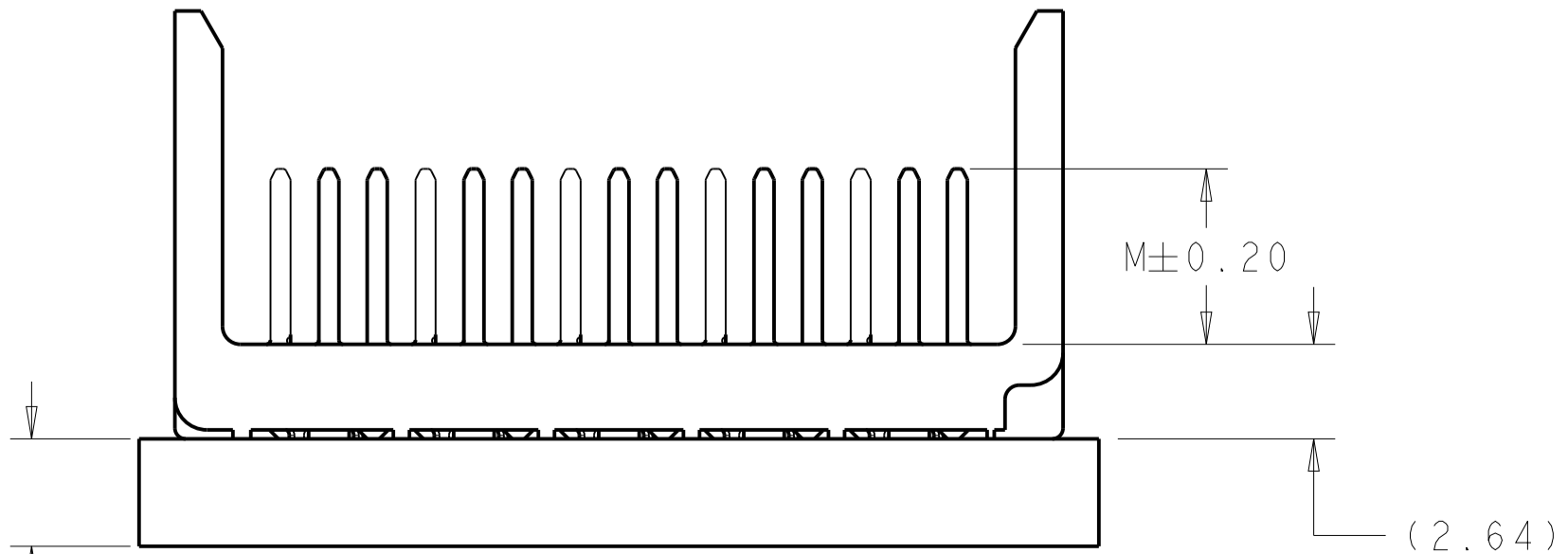
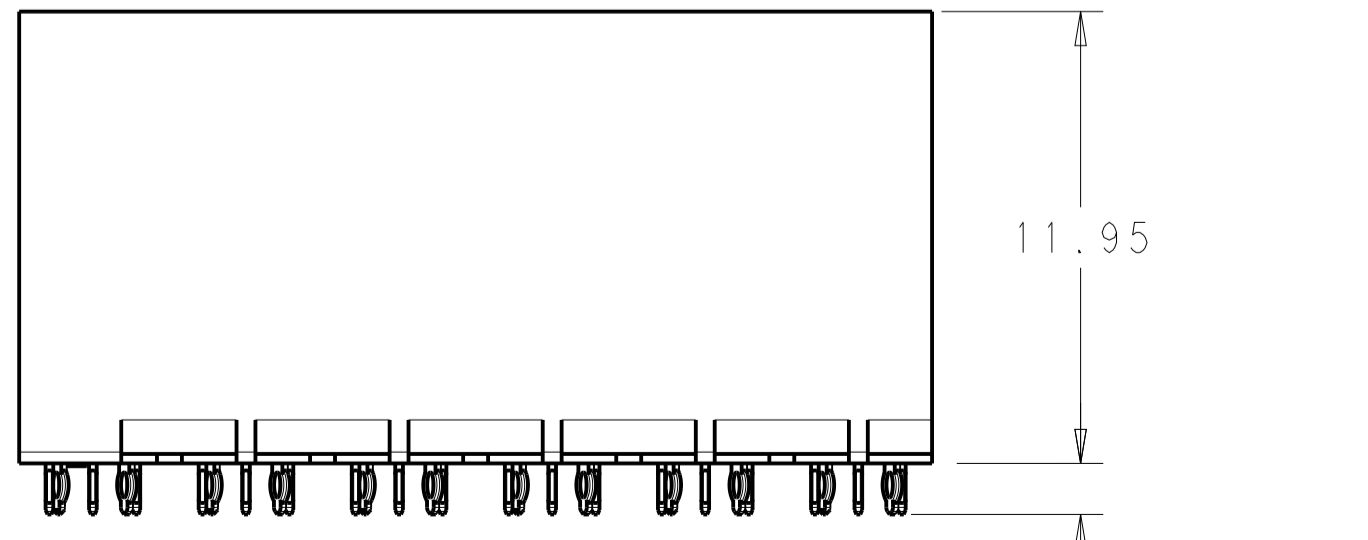
180X Ø0.46±0.08 PLATED THRU HOLE

180X Ø0.55±0.013 DRILL HOLE

Ø0.10

UNGUIDED BACKPLANE HOLE PATTERN (CONNECTOR SIDE)

REFER TO WWW.TE.COM FOR PRODUCT AVAILABILITY



3.00 MINIMUM BOARD THICKNESS

5.5	2143579-2
4.9	2143579-1
FINISH	PART NUMBER

THIS DRAWING IS A CONTROLLED DOCUMENT.		OWN: KIRAN HOLAL 01DEC2012	NAME: IMPACT, ORTHOGONAL, 5 PAIR, 12 COLUMN HEADER, UNGUIDED, OPEN END WALL SIGNAL MODULE, 0.46 PTH
DIMENSIONS: mm		CHK: D. DIXON 01DEC2012	PRODUCT SPEC: -
TOLERANCES UNLESS OTHERWISE SPECIFIED:		APV: D. DIXON 01DEC2012	APPLICATION SPEC: -
0 PLC	±	SIZE: -	RESTRICTED TO: -
1 PLC	±0.25	WEIGHT: -	SCALE: 5:1
2 PLC	±0.13	CUSTOMER DRAWING	SHEET 1 OF 1
3 PLC	±		REV B
4 PLC	±		
ANGLES	±		
FINISH	SEE TABLE		