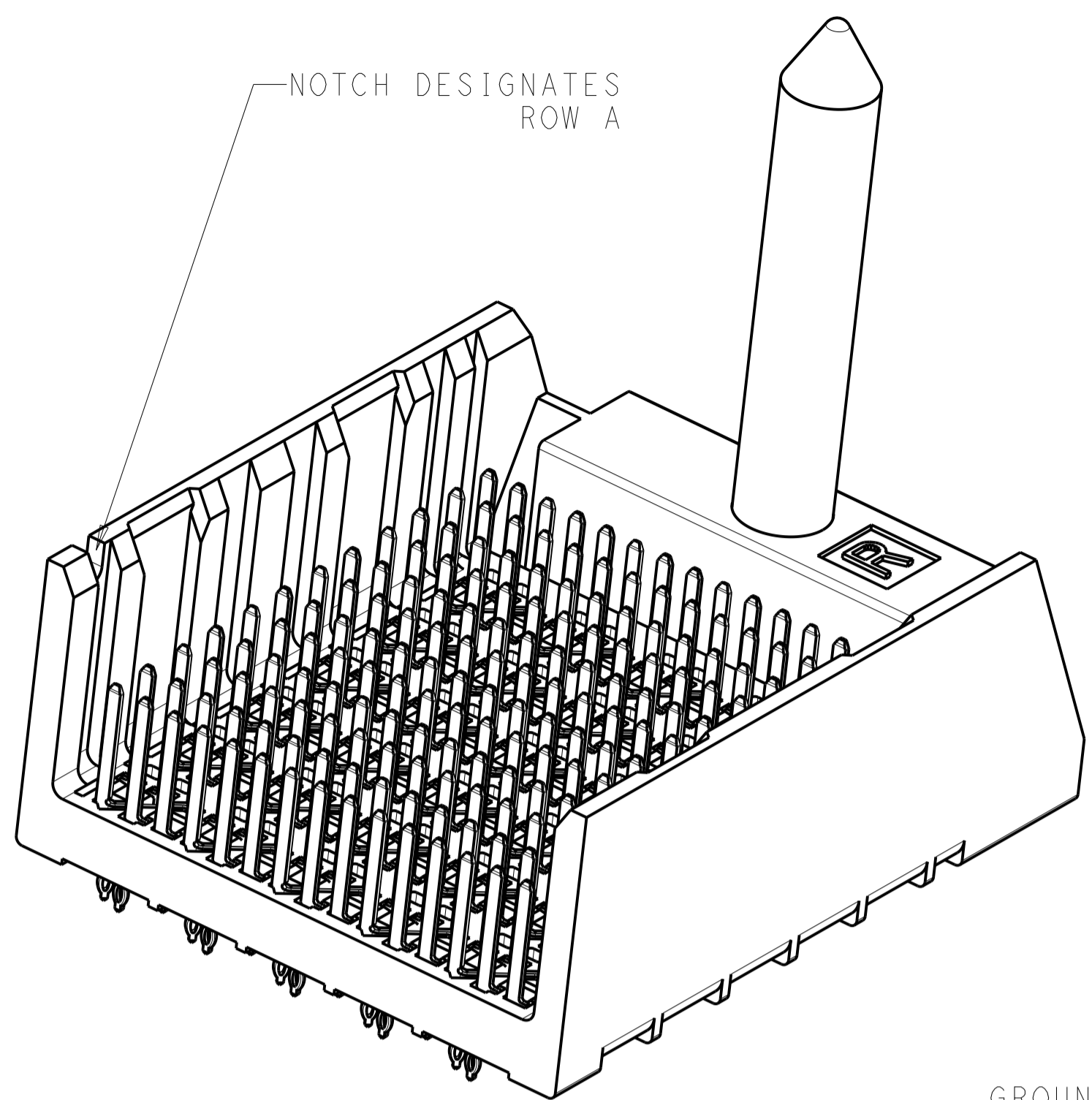
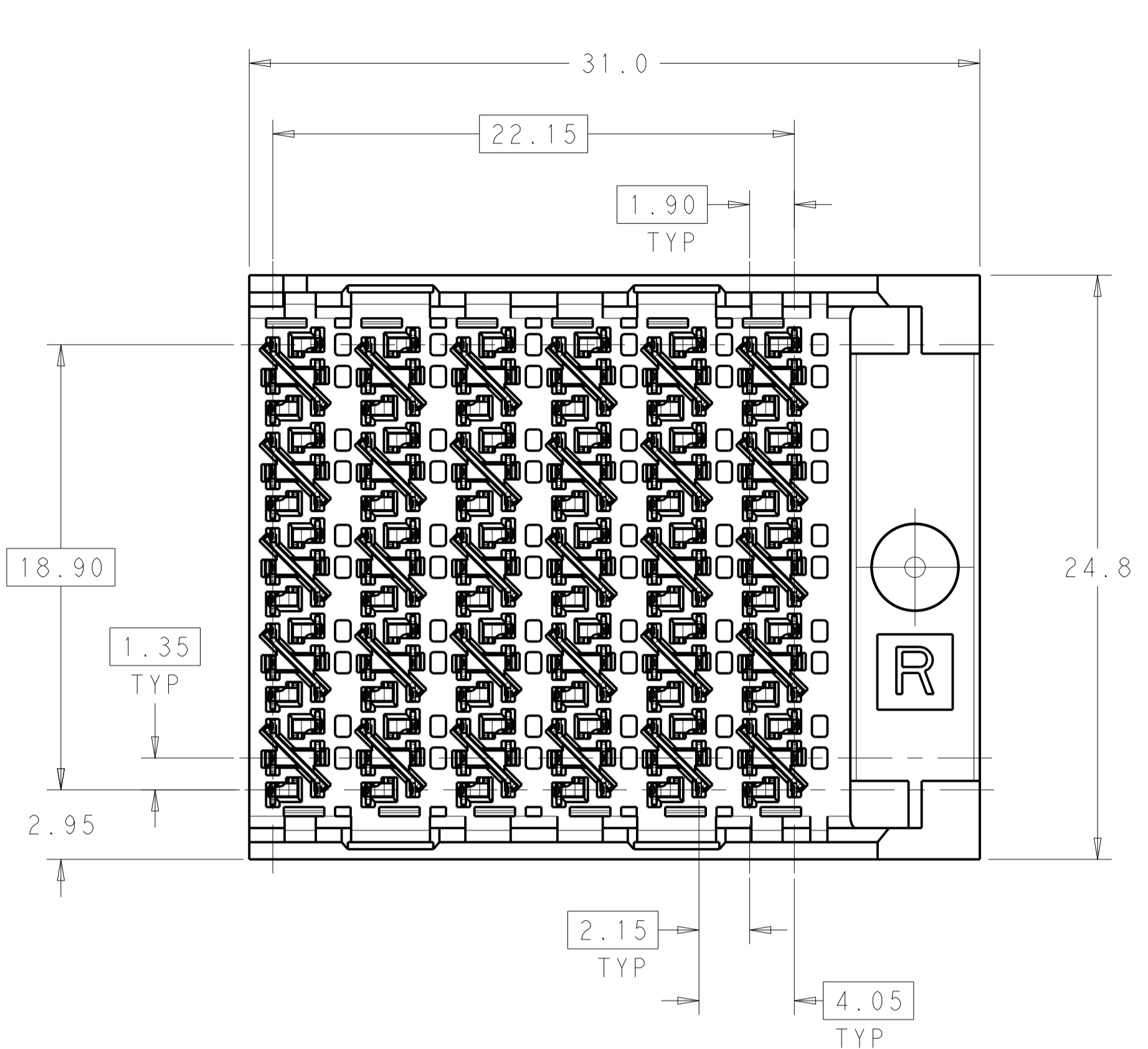
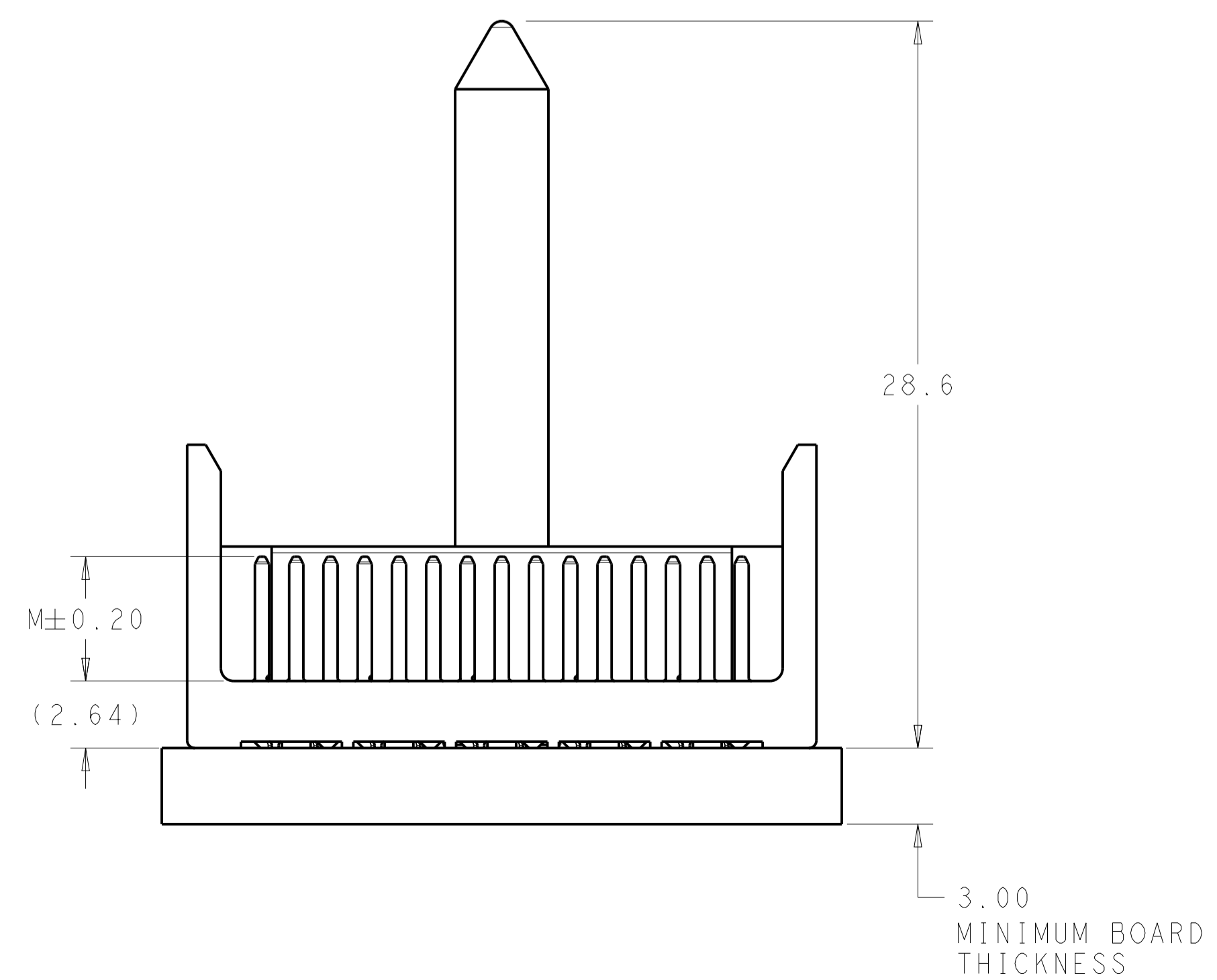
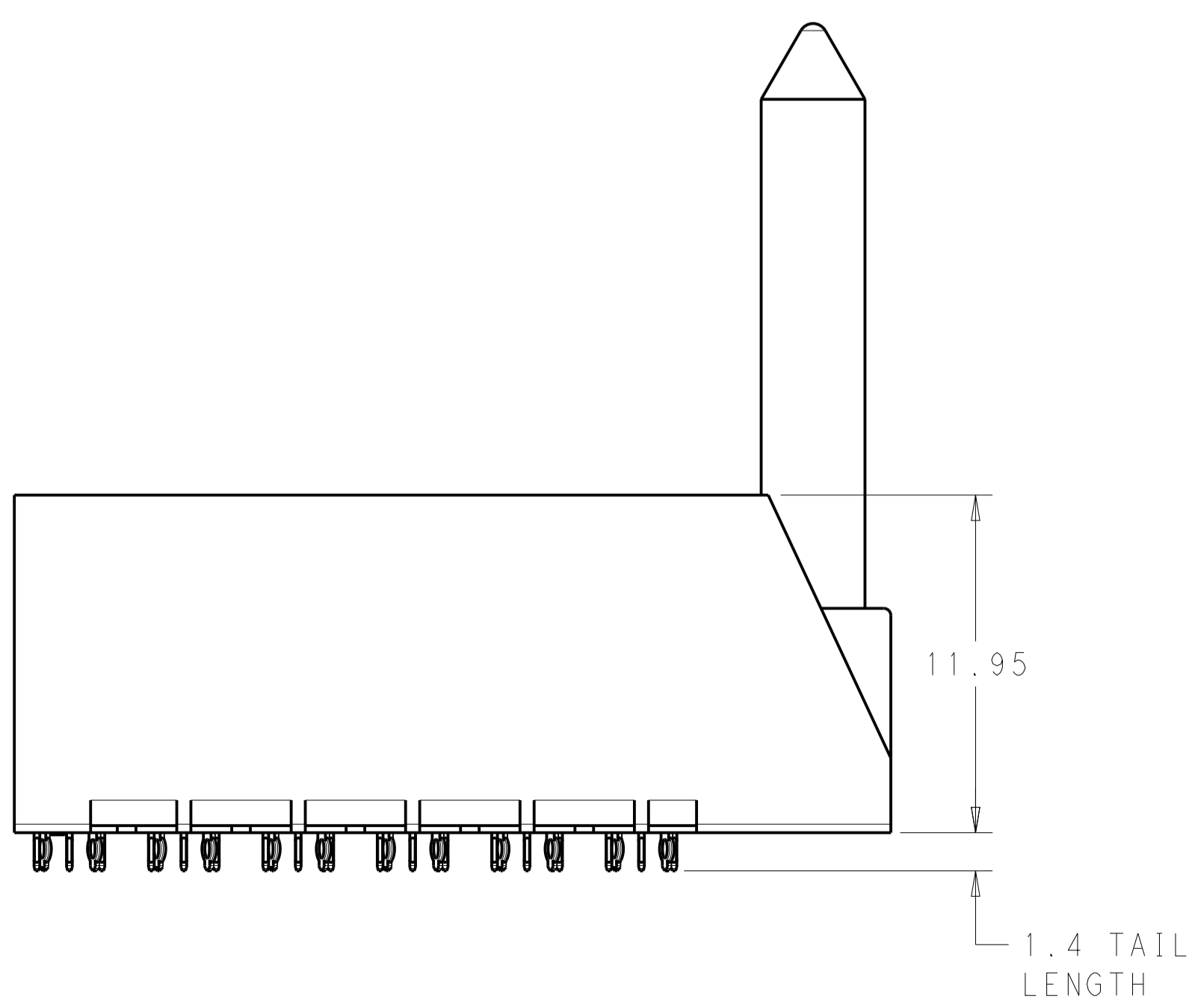
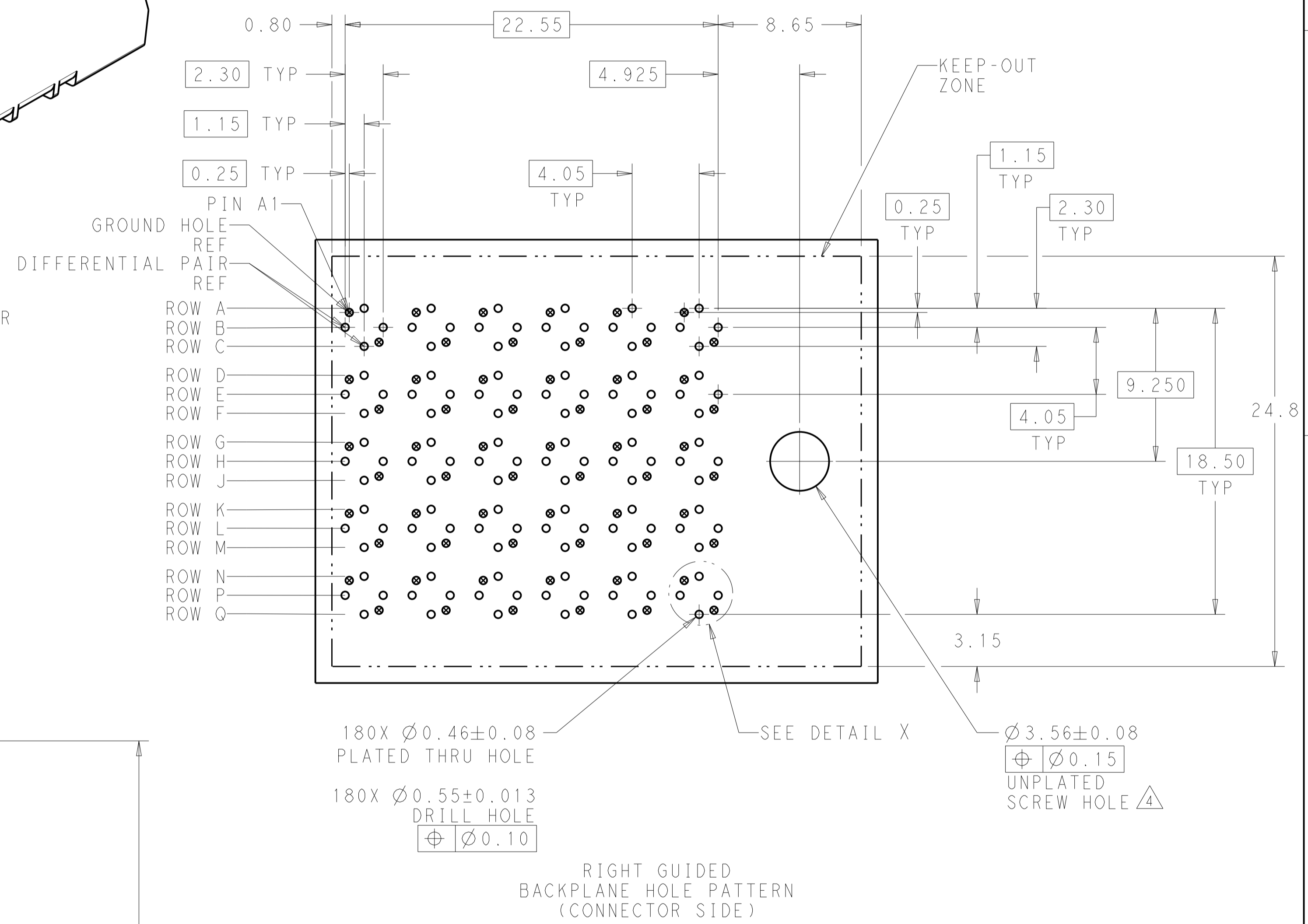
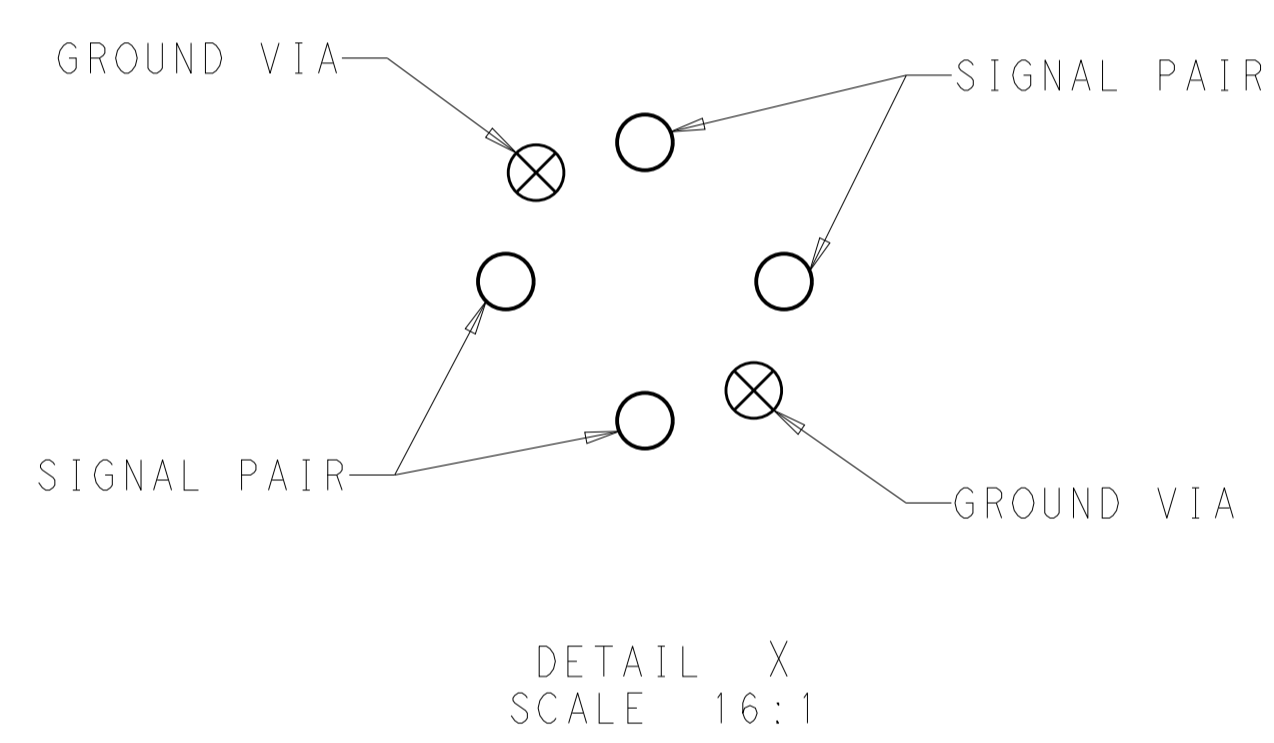


REVISIONS				
P.	LTN	DESCRIPTION	DATE	OWN APVD
B		REVISED PER ECO-14-013272	09SEP2014	AP DD



- △ MATERIAL:
HOUSING: LCP, GLASS FILLED, UL94V-0.
TERMINALS: HIGH PERFORMANCE COPPER ALLOY.
- △ FINISH:
30μ" MIN GOLD IN CONTACT AREA. SELECTIVE TIN ON PCB TAILS, NICKEL OVERALL.
- 3. SCREWS PACKAGED IN END OF PACKAGING TUBE.
- △ FOR GROUNDED GUIDE PIN USE $\varnothing 3.56 \pm 0.08$ PTH, $\varnothing 3.66$ DRILL, AND $\varnothing 6.5$ PAD.



THIS DRAWING IS A CONTROLLED DOCUMENT.		OWN: KIRAN HOLH 30NOV2012	TE Connectivity
DIMENSIONS: mm		CHK: D. DIXON 30NOV2012	
TOLERANCES UNLESS OTHERWISE SPECIFIED:		APVD: D. DIXON 30NOV2012	NAME: IMPACT, ORTHOGONAL, 5 PAIR, 12 COLUMN HEADER, RIGHT GUIDED, OPEN END WALL SIGNAL MODULE, 0.46 PTH
0 PLC	±	PRODUCT SPEC	SIZE: CAGE CODE DRAWING NO
1 PLC	±0.25	APPLICATION SPEC	RESTRICTED TO
2 PLC	±0.13		
3 PLC	±		
4 PLC	±		
ANGLES	±	WEIGHT	A100779C=2143577
MATERIAL	FINISH	CUSTOMER DRAWING	SCALE: 5:1 SHEET 1 OF 2 REV B

THIS DRAWING IS UNPUBLISHED. RELEASED FOR PUBLICATION 20
 © COPYRIGHT 20 TE CONNECTIVITY ALL RIGHTS RESERVED.

REVISIONS				
P.	LTN	DESCRIPTION	DATE	APVD
-		SEE SHEET 1	-	-

	5.5	2143577-2
	4.9	2143577-1
FINISH	DIM M	PART NUMBER

REFER TO WWW.TE.COM
FOR PRODUCT AVAILABILITY

THIS DRAWING IS A CONTROLLED DOCUMENT.		DWN: KIRAN HOLH 30NOV2012 CHK: D. DIXON 30NOV2012		
DIMENSIONS:	TOLERANCES UNLESS OTHERWISE SPECIFIED:	APVD: D. DIXON 30NOV2012	NAME:	IMPACT, ORTHOGONAL, 5 PAIR, 12 COLUMN
mm	0 PLC ±0.25 2 PLC ±0.13 3 PLC ± 4 PLC ±	PRODUCT SPEC:	APPLICATION SPEC:	HEADER, RIGHT GUIDED, OPEN END WALL
	ANGLES	SIZE: A100779	CAGE CODE: C=2143577	DRAWING NO: 2143577
MATERIAL:	FINISH: SEE TABLE	WEIGHT:	CUSTOMER DRAWING	RESTRICTED TO: B
		SCALE: 5:1	SHEET: 2 OF 2	REV: B