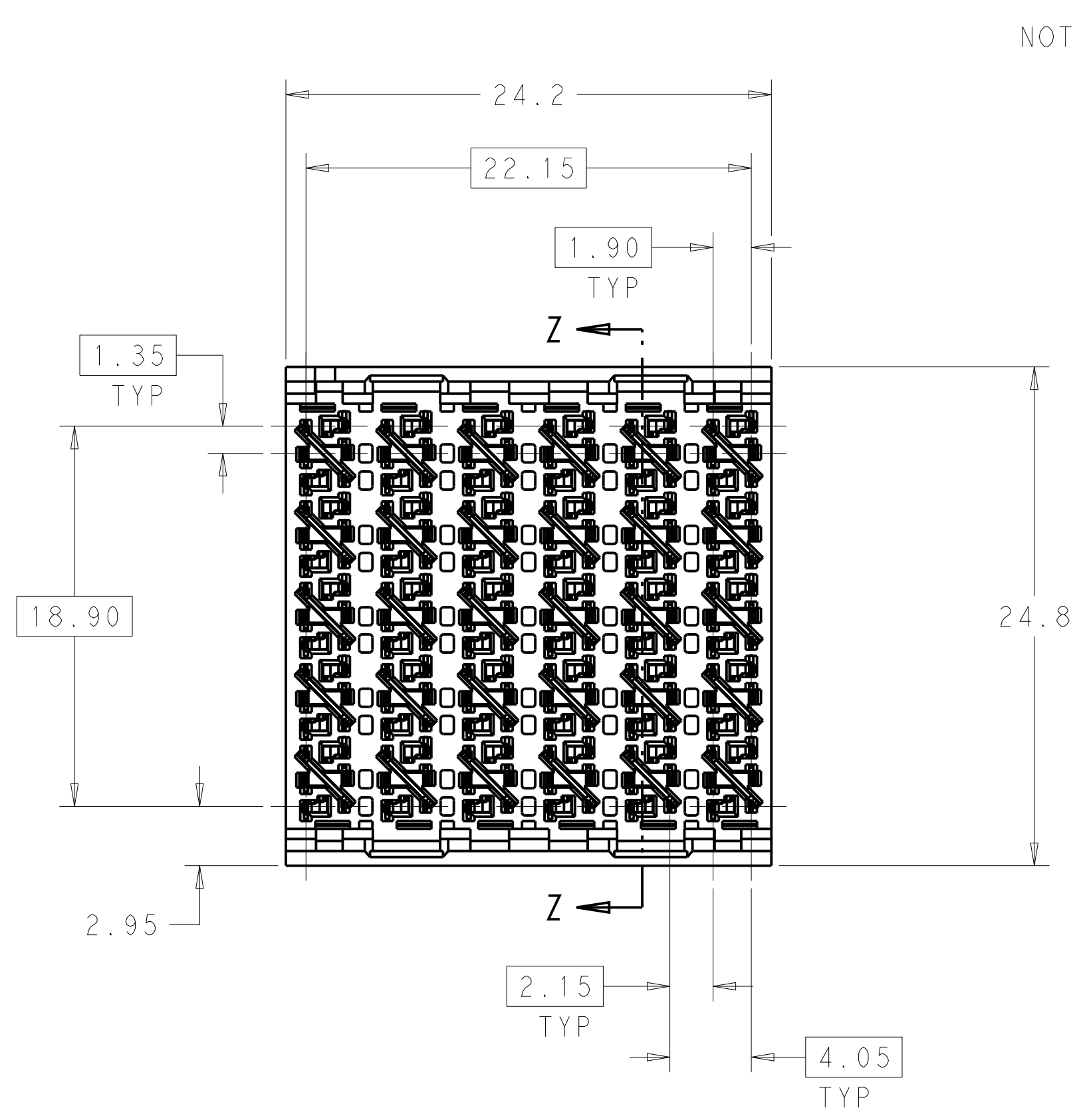
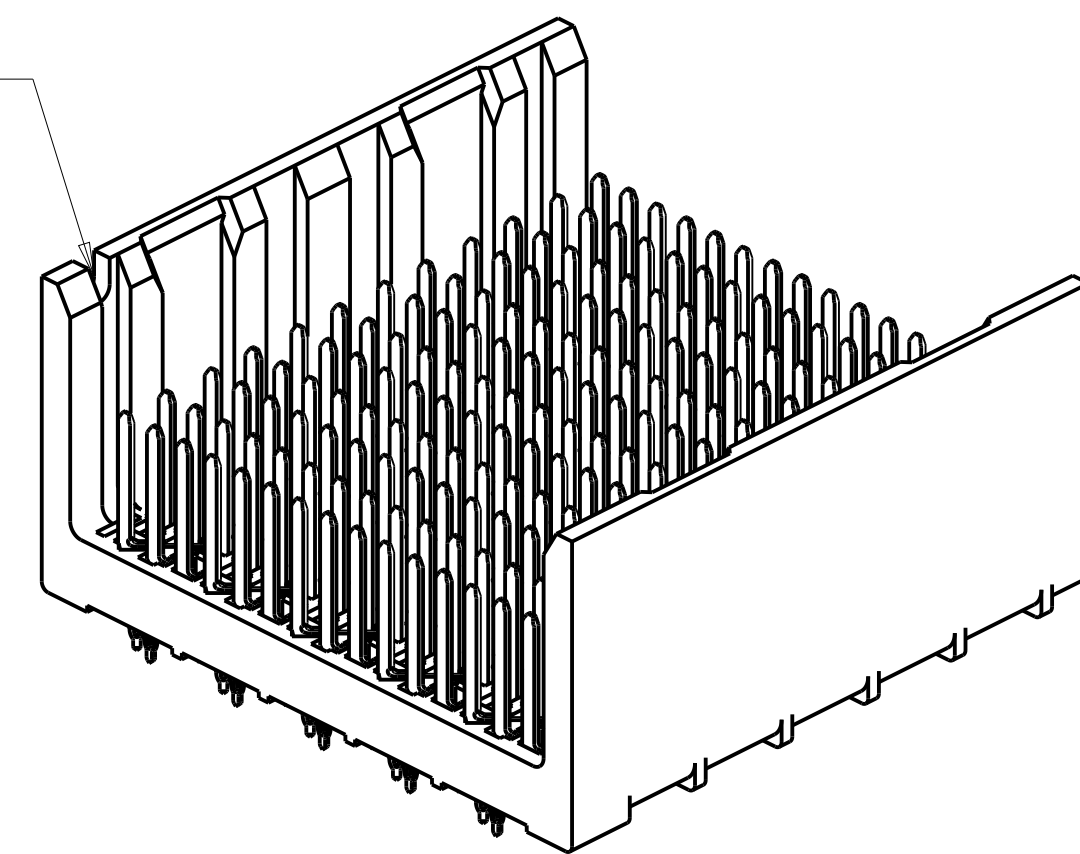


REVISIONS				
P.	LTN.	DESCRIPTION	DATE	APVD.
B		REVISED PER ECO-14-013272	09SEP2014	AP DD

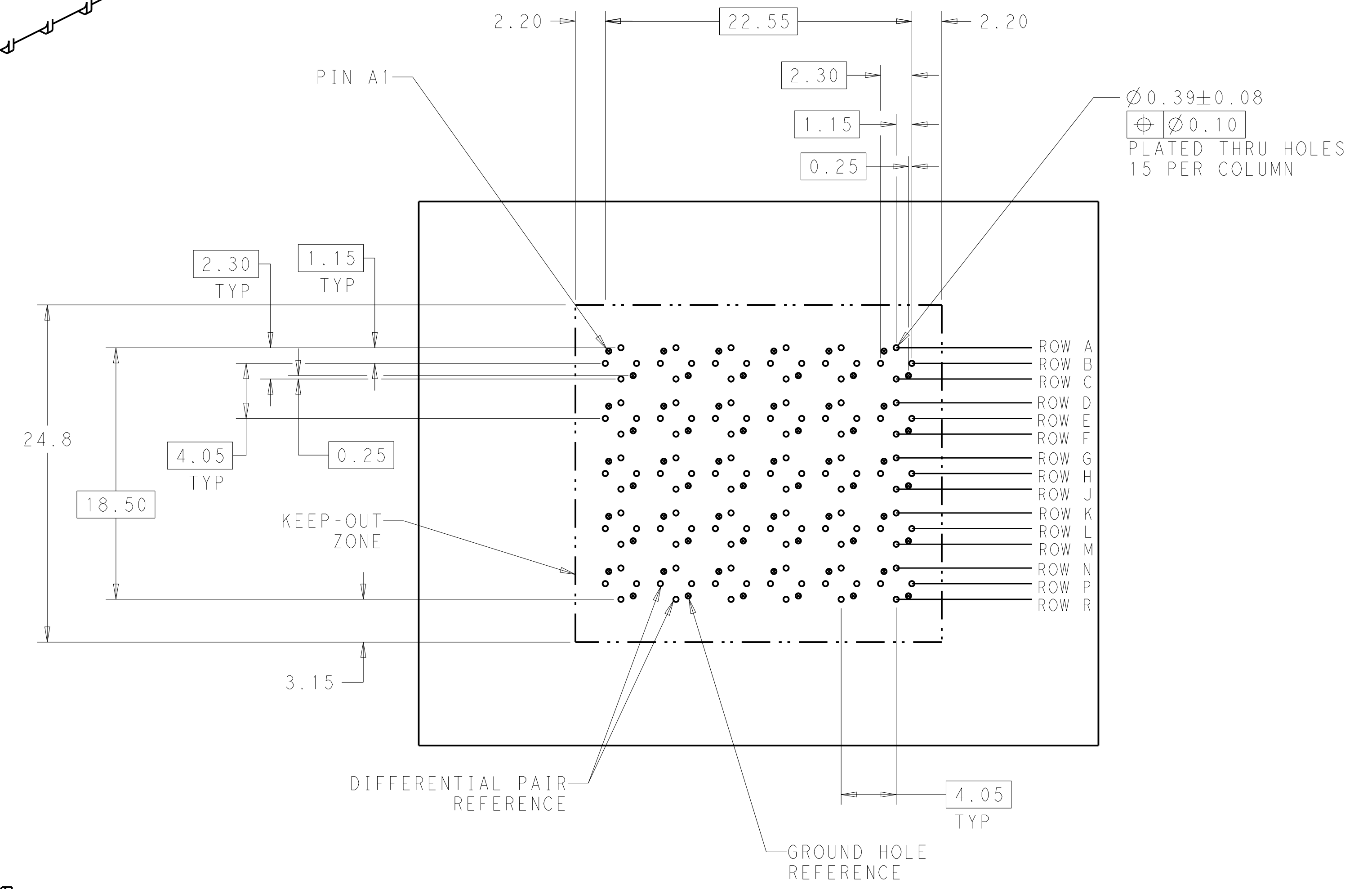


NOTCH DESIGNATES ROW A

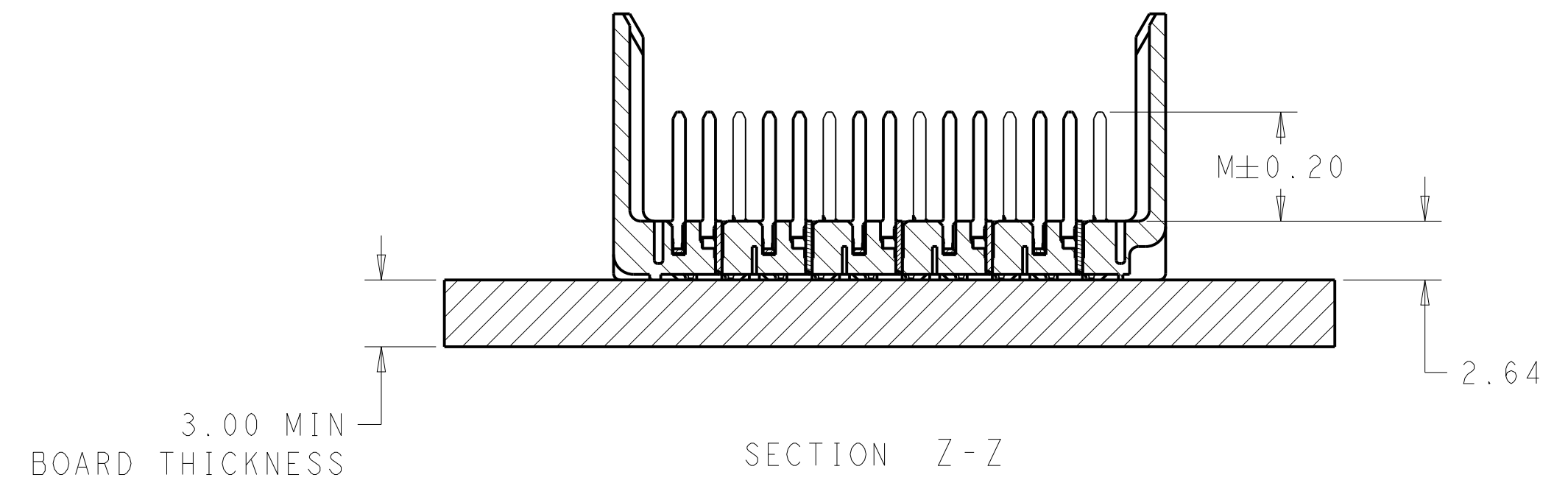
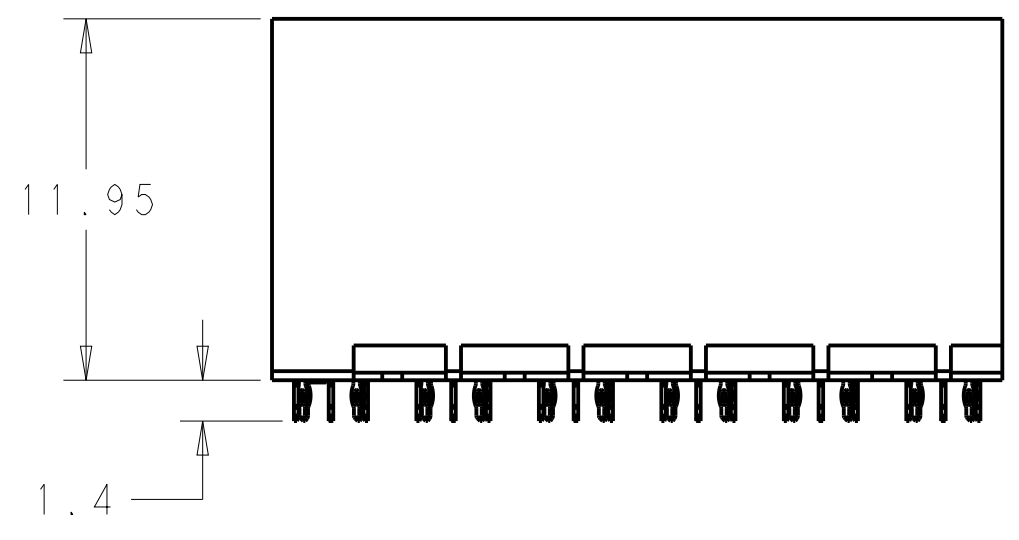


1 MATERIAL:
 HOUSING: LCP GLASS FILLED UL94V-0
 TERMINALS: HIGH PERFORMANCE COPPER ALLOY

2 FINISH:
 30μ" MIN GOLD IN CONTACT AREA
 SELECTIVE TIN ON PCB TAILS.
 NICKEL OVERALL.



LEFT GUIDED
 BACKPLANE HOLE PATTERN
 (CONNECTOR SIDE)
 SCALE 4:1



2	5.5	2143573-2
2	4.9	2143573-1
FINISH	DIM M	PART NUMBER

THIS DRAWING IS A CONTROLLED DOCUMENT.		DWN J. K. SHOBER 18AUG2010	TE Connectivity NAME: IMPACT, 5 PAIR, 12 COLUMN, UNGUIDED OPEN END WALL ASSEMBLY, ORTHOGONAL, 0.39 PTH SIZE: A1 CAGE CODE: 2143573 CUSTOMER DRAWING
DIMENSIONS: mm		CHK J. EARY 18AUG2010	
TOLERANCES UNLESS OTHERWISE SPECIFIED:		APVD J. EARY 18AUG2010	
0 PLC ± 1 PLC ±0.25 2 PLC ±0.13 3 PLC ± 4 PLC ± ANGLES ±0		PRODUCT SPEC APPLICATION SPEC WEIGHT SCALE 4:1 SHEET 1 OF 1 REV B	