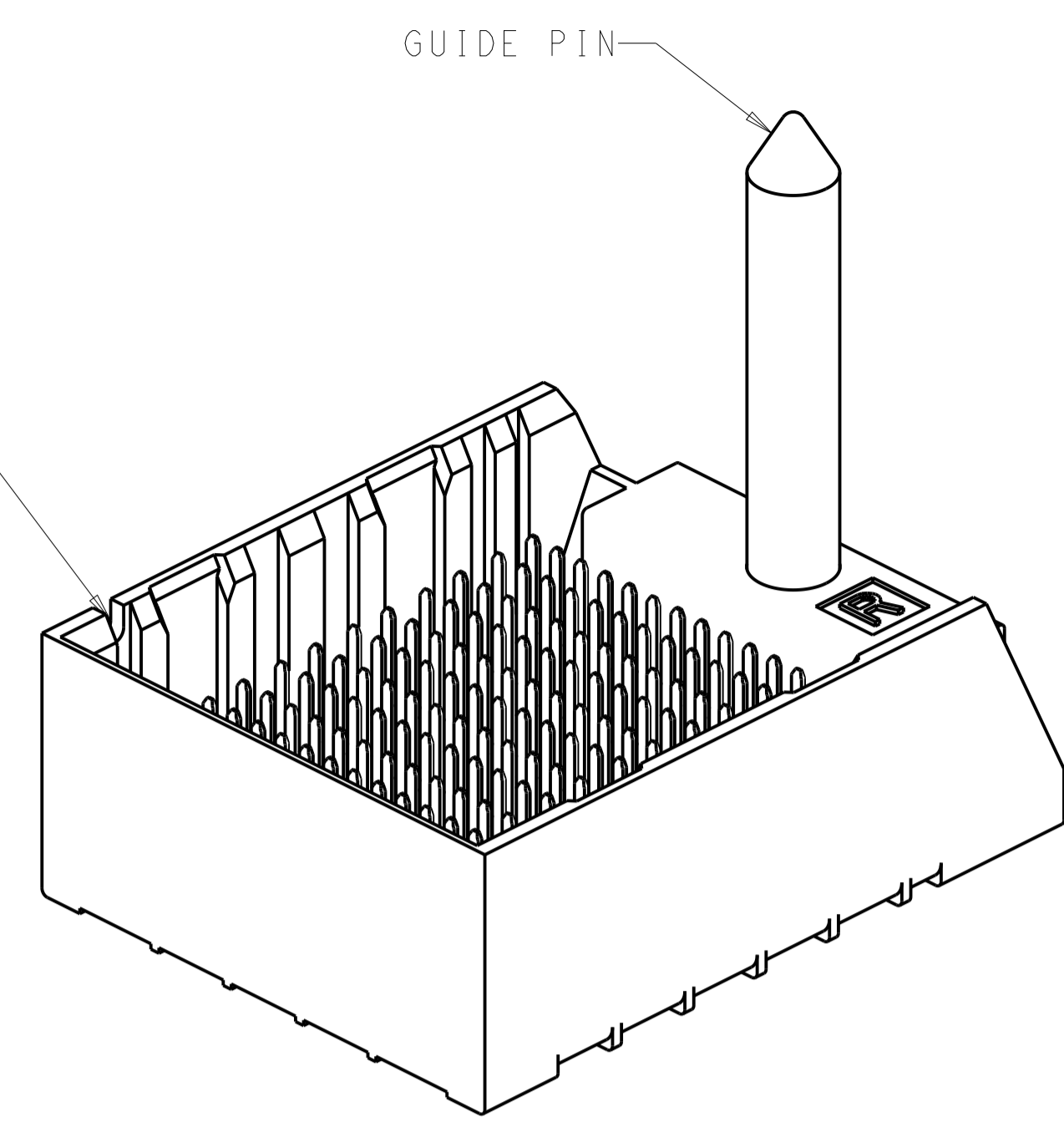
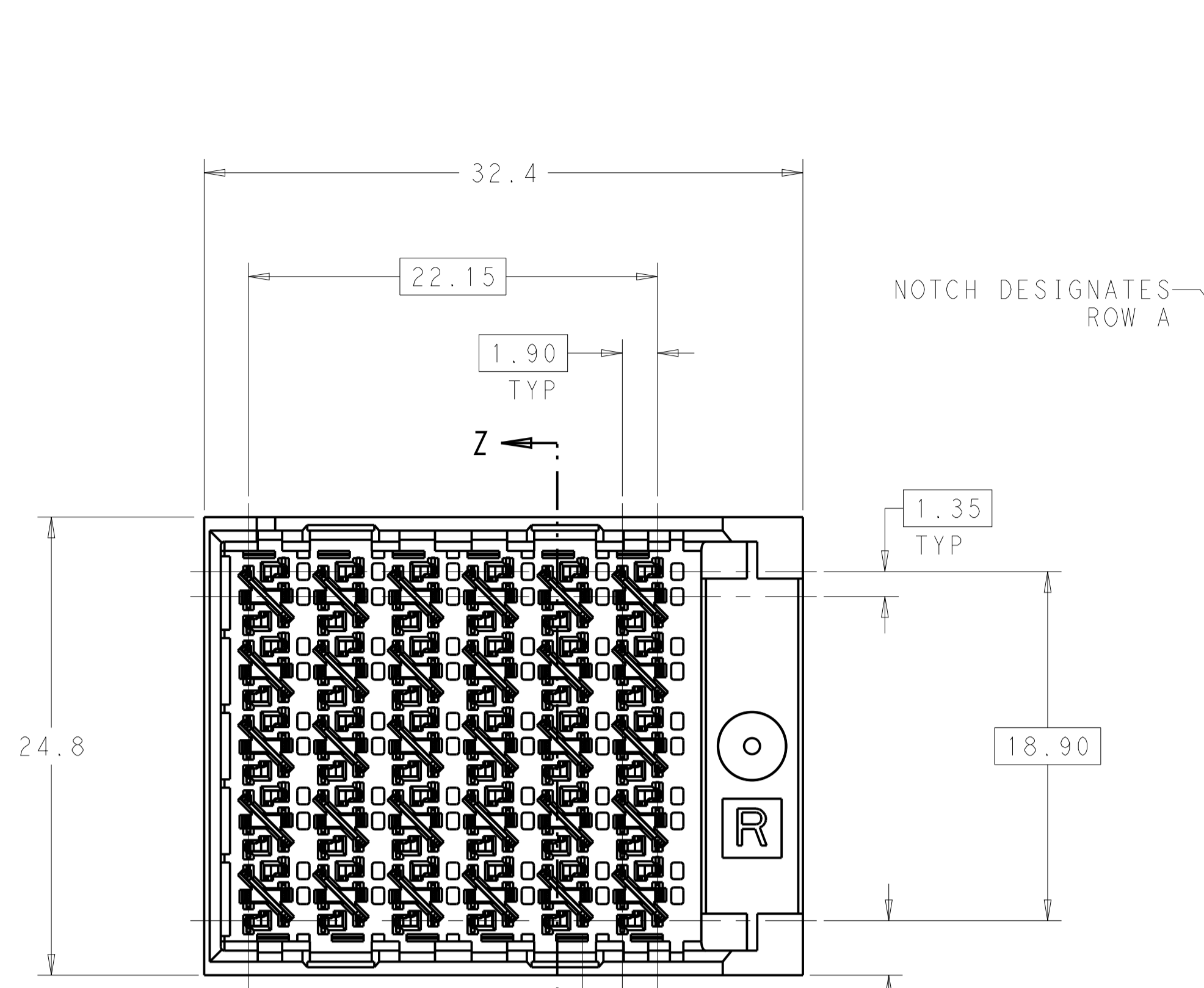
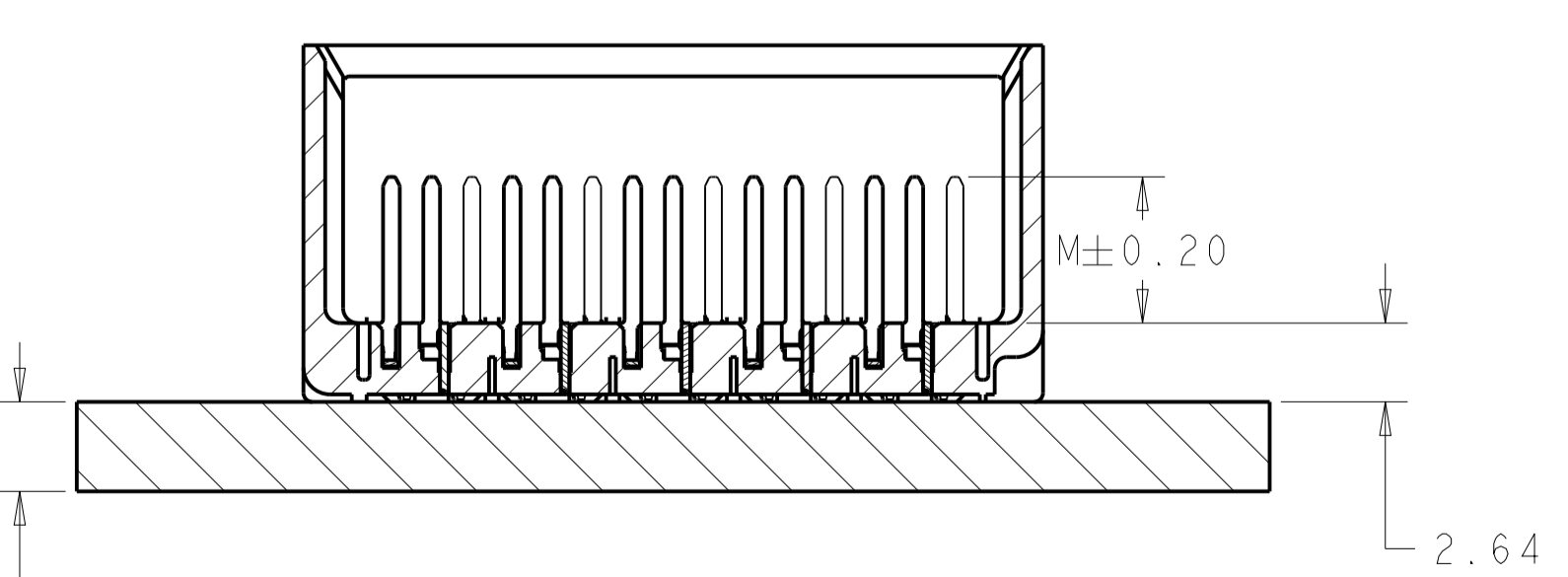
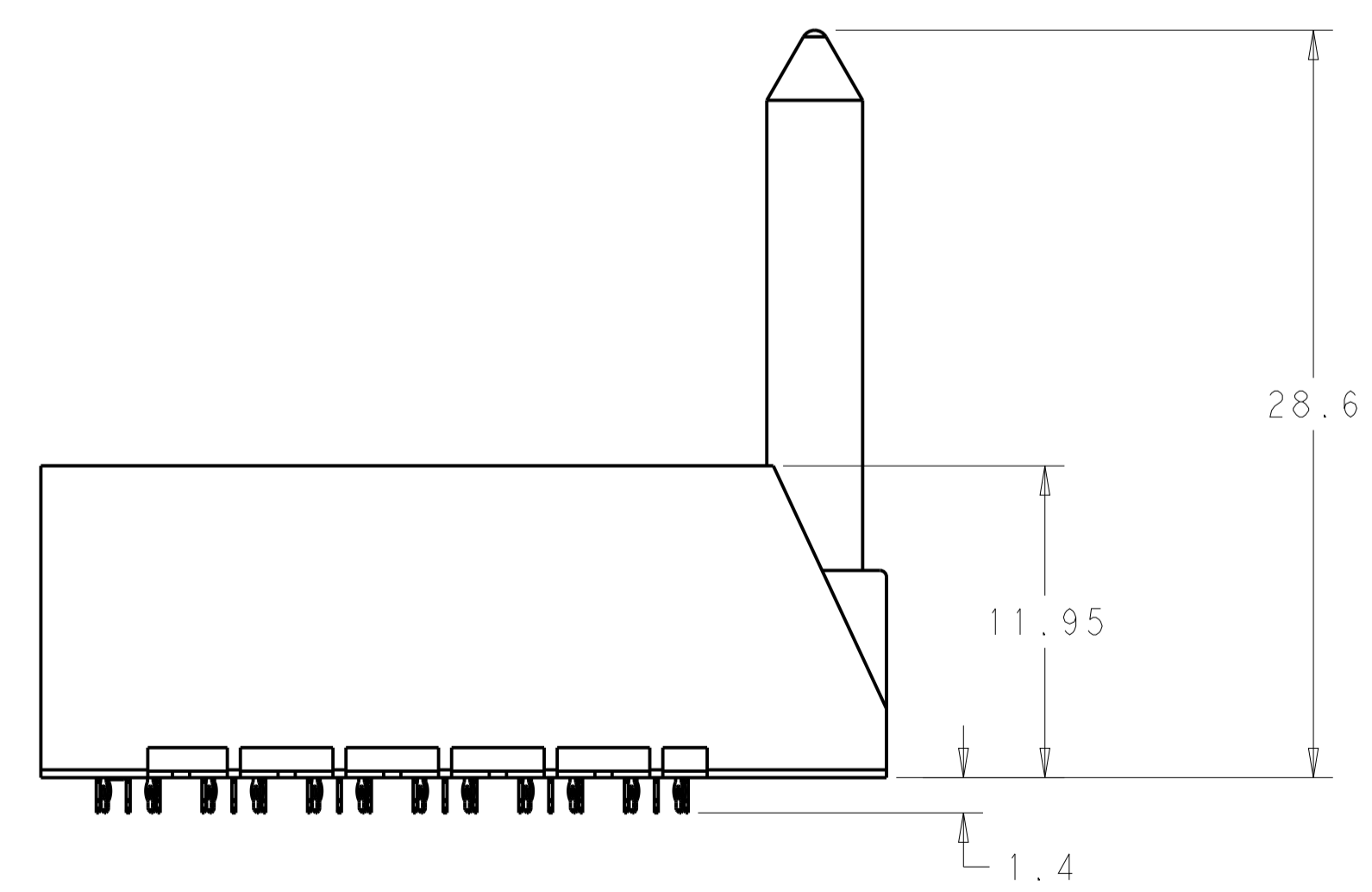
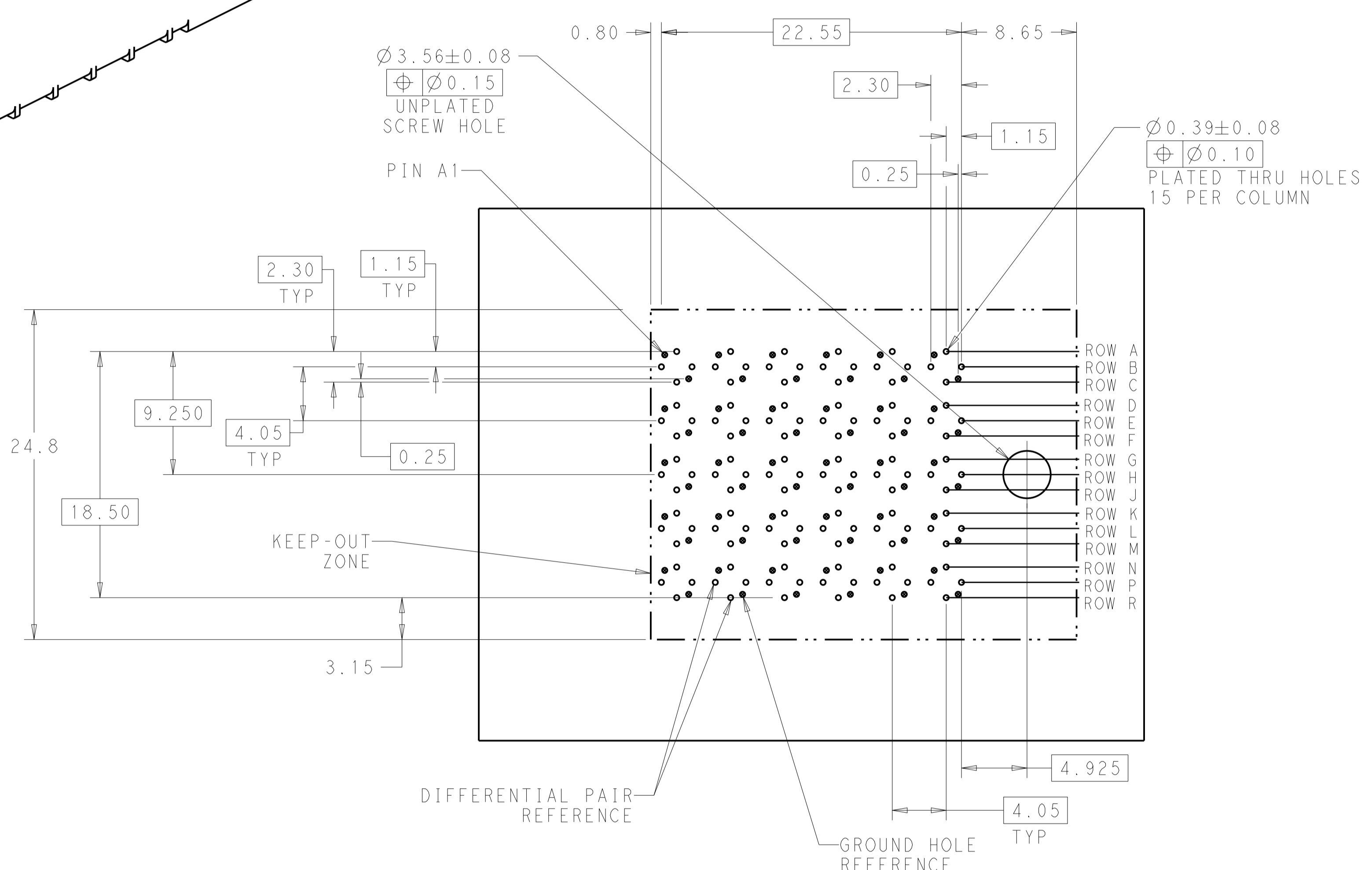


REVISIONS				
P.	LTN	DESCRIPTION	DATE	APVD
B		REVISED PER ECO-14-013272	09SEP2014	AP DD



- 1 MATERIAL:
HOUSING: LCP GLASS FILLED UL94V-0
TERMINALS: HIGH PERFORMANCE COPPER ALLOY
- 2 FINISH:
30µ" MIN GOLD IN CONTACT AREA
SELECTIVE TIN ON PCB TAILS.
NICKEL OVERALL.
- 3. SCREWS PACKAGED IN THE END OF PACKAGING TUBE.



3.00 MIN BOARD THICKNESS

SECTION Z-Z

LEFT GUIDED BACKPLANE HOLE PATTERN (CONNECTOR SIDE) SCALE 4:1

FINISH	5.5	2143572-2
DIM M	4.9	2143572-1
PART NUMBER		

THIS DRAWING IS A CONTROLLED DOCUMENT.

DIMENSIONS: mm	TOLERANCES UNLESS OTHERWISE SPECIFIED:	0 PLC ±0.25	1 PLC ±0.13	2 PLC ±0.13	3 PLC ±0.13	4 PLC ±0.13	ANGLES ±0
MATERIAL	SEE TABLE	FINISH	SEE TABLE	WEIGHT		Customer Drawing	

APVD: J. K. SHOBER 18AUG2010, J. EARY 18AUG2010

NAME: IMPACT, 5 PAIR, 12 COLUMN, RIGHT GUIDED LEFT END WALL ASSEMBLY, ORTHOGONAL, 0.39 PTH

SIZE: A1 00779 ©=2143572

SCALE: 4:1 SHEET 1 OF 1 REV B