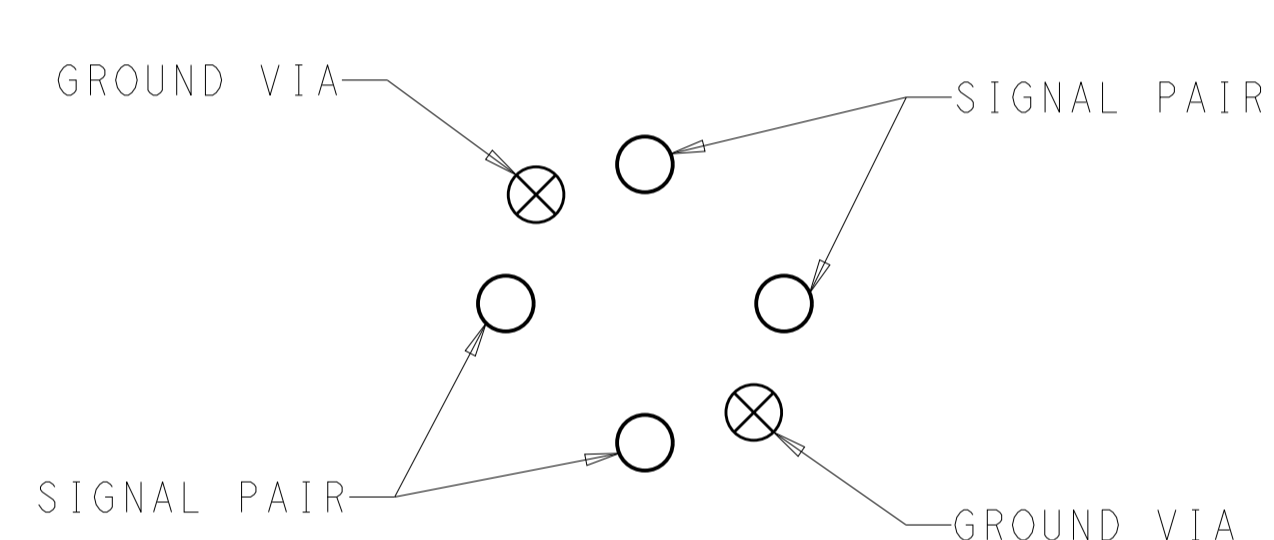
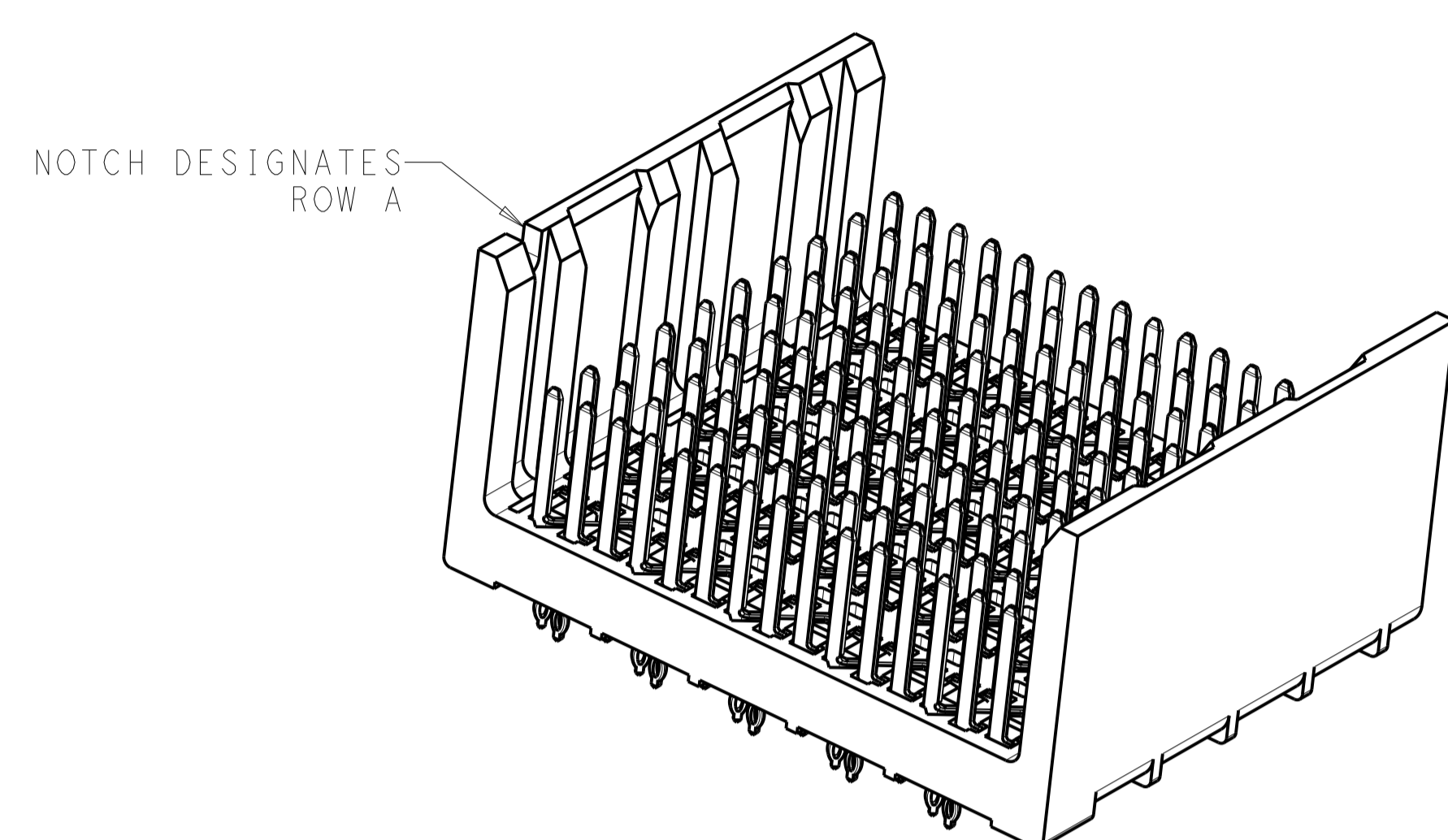
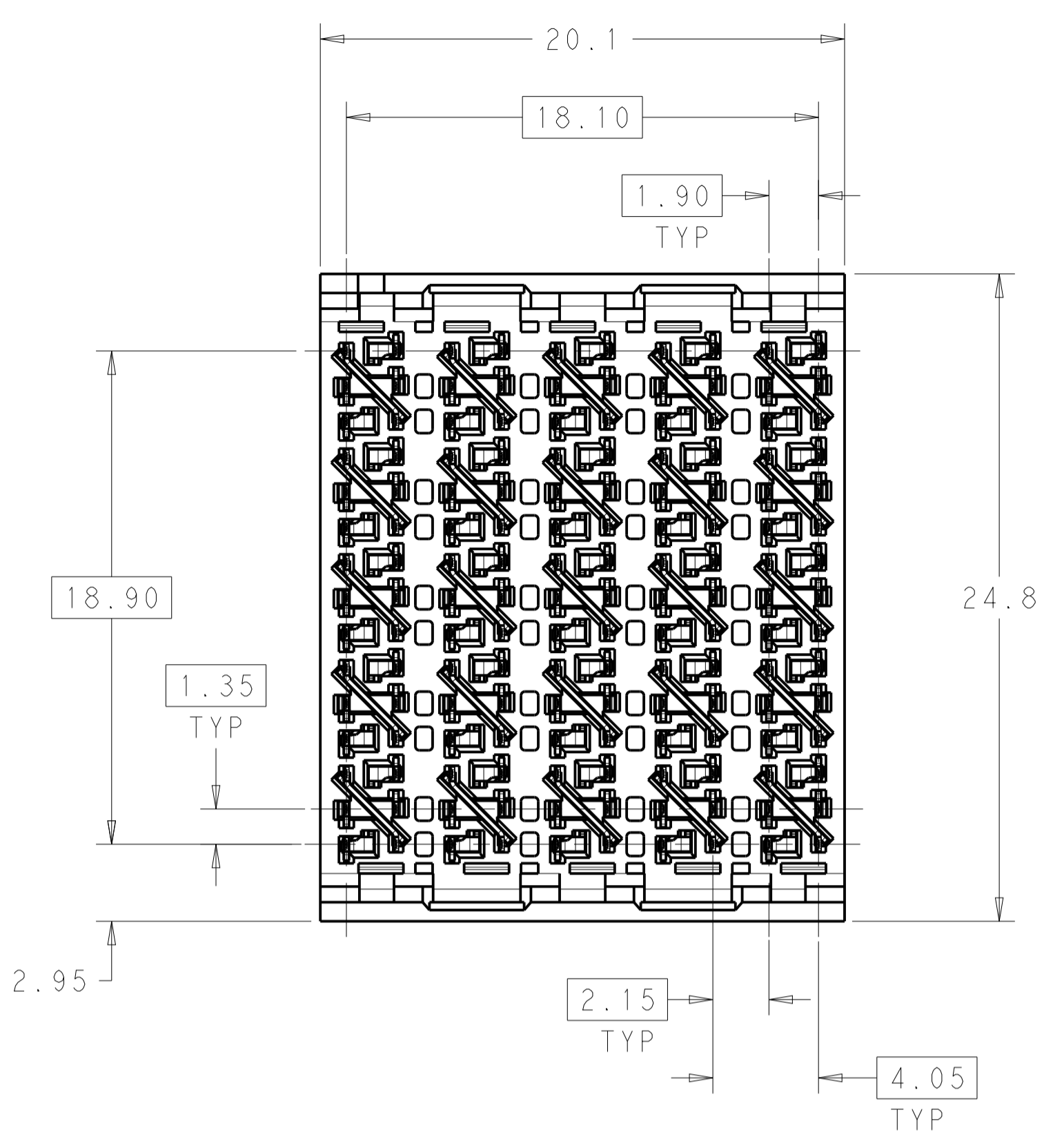
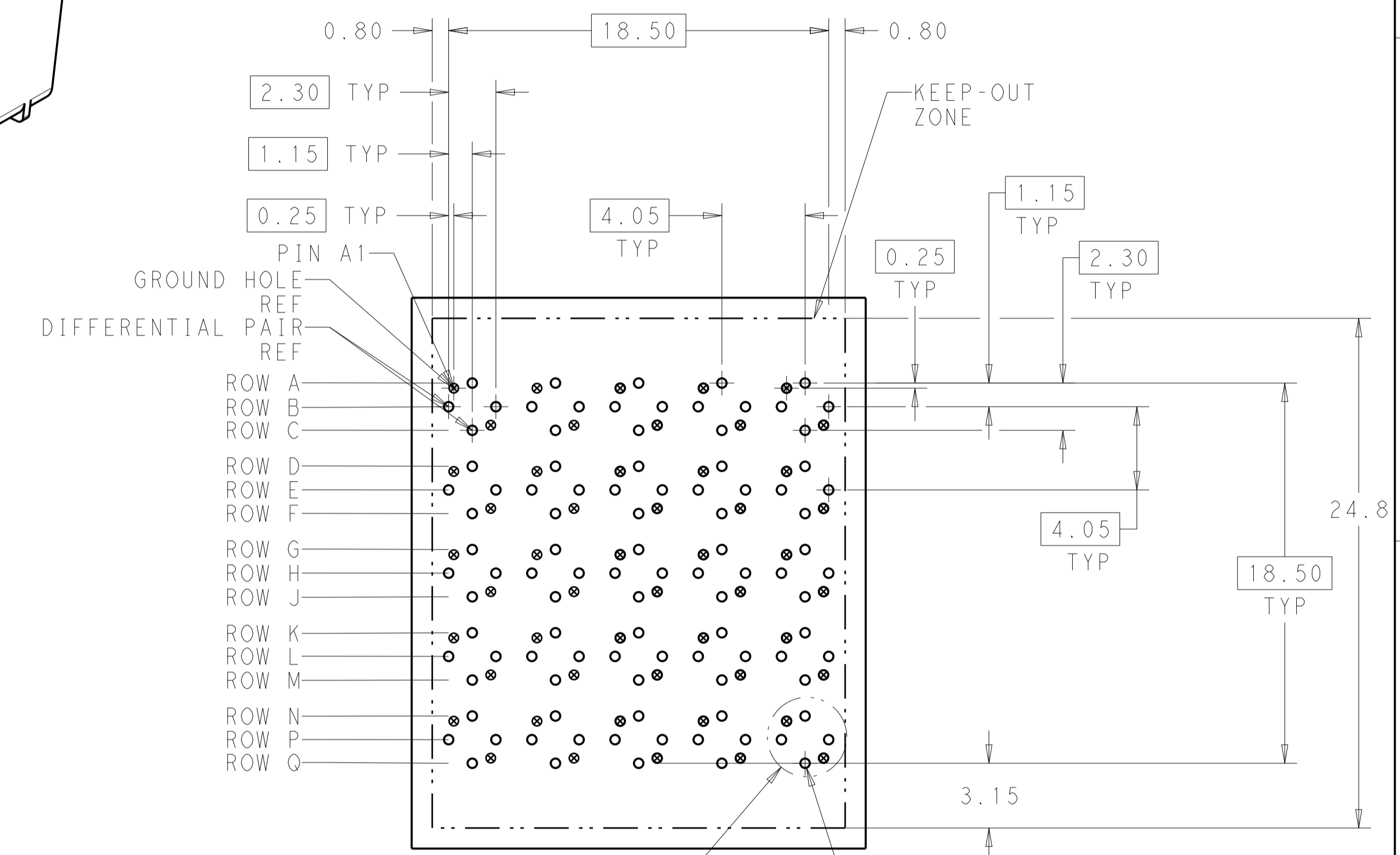


REVISIONS				
P.	LTN	DESCRIPTION	DATE	APPROV
B		REVISED PER ECO-14-013272	09SEP2014	AP DD



DETAIL X
SCALE 16:1

- 1 MATERIAL:
HOUSING: LCP, GLASS FILLED, UL94V-0.
TERMINALS: HIGH PERFORMANCE COPPER ALLOY.
- 2 FINISH:
30μ" MIN GOLD IN CONTACT AREA. SELECTIVE TIN ON PCB TAILS, NICKEL OVERALL.



SEE DETAIL X

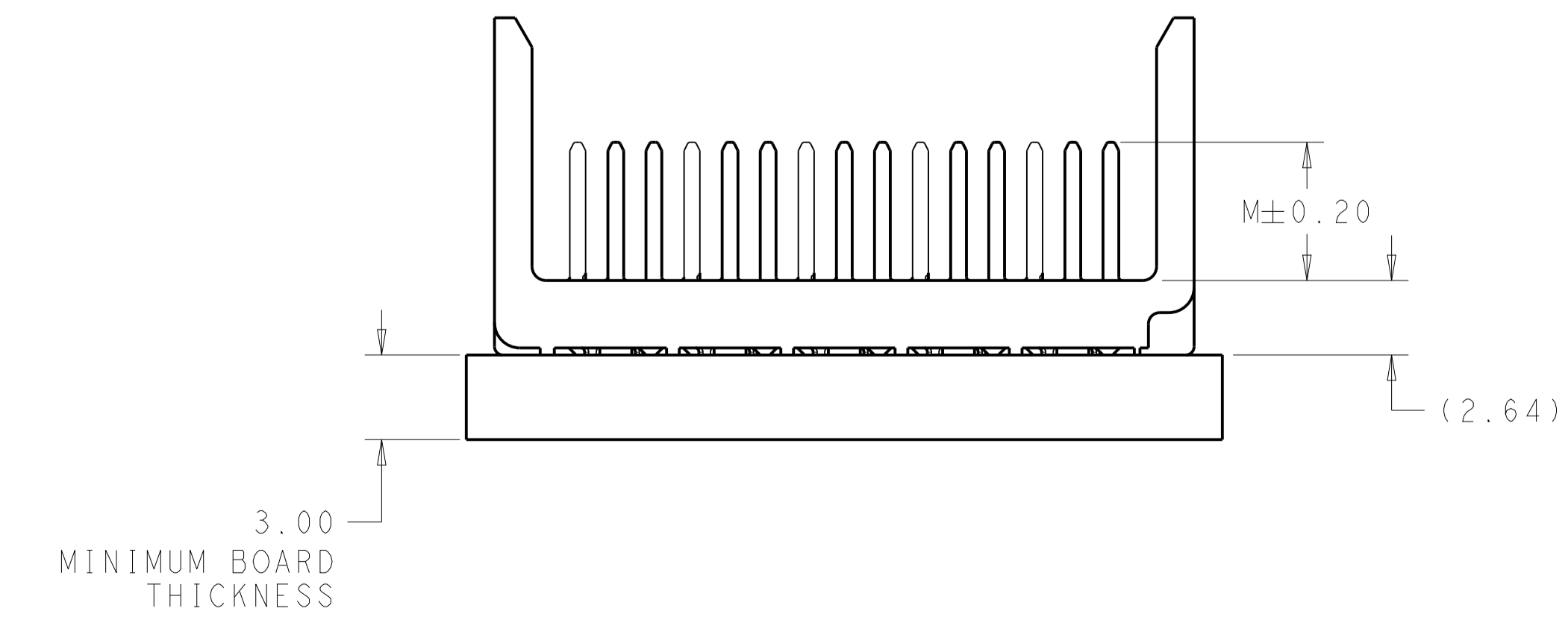
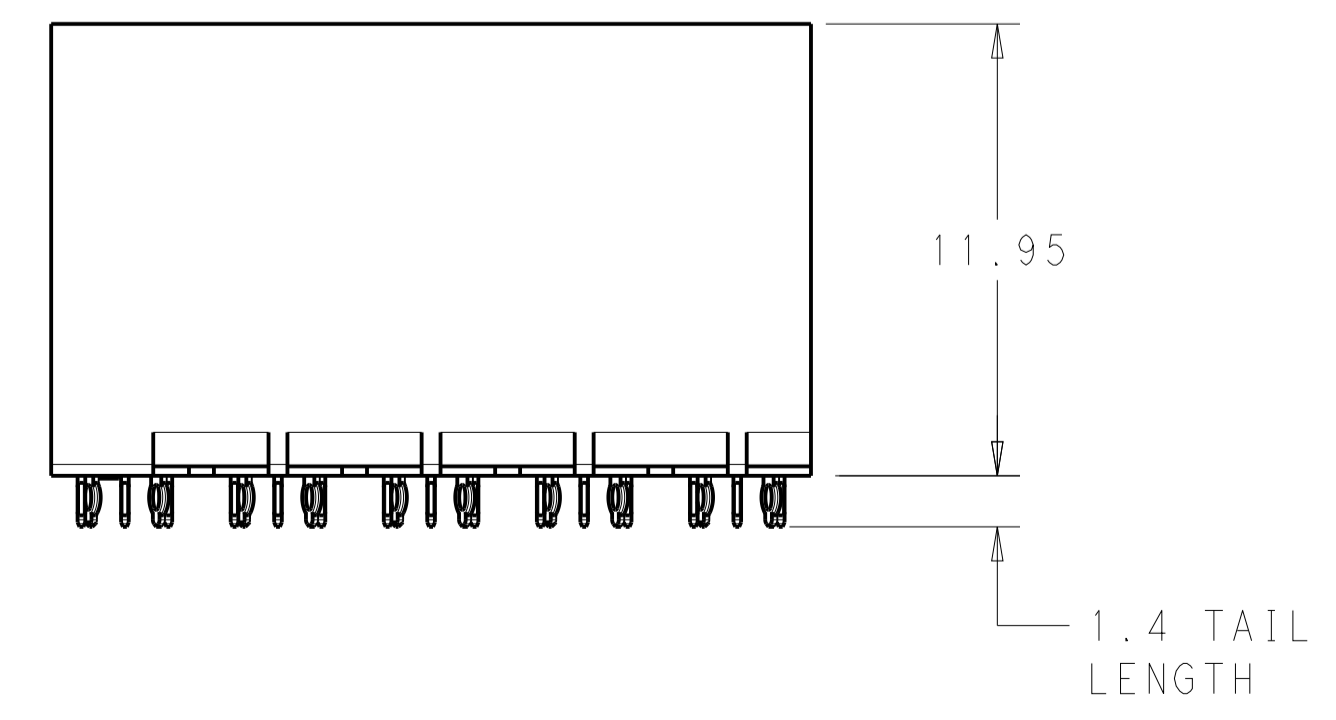
150X $\varnothing 0.46 \pm 0.08$ PLATED THRU HOLE

150X $\varnothing 0.55 \pm 0.013$ DRILL HOLE

$\varnothing 0.10$

UNGUIDED BACKPLANE HOLE PATTERN (CONNECTOR SIDE)

REFER TO WWW.TE.COM FOR PRODUCT AVAILABILITY



2	5.5	2143567-2
2	4.9	2143567-1
FINISH	DIM M	PART NUMBER

THIS DRAWING IS A CONTROLLED DOCUMENT.		OWN: KIRAN HOLAL 12DEC2012	NAME: IMPACT, ORTHOGONAL, 5 PAIR, 10 COLUMN HEADER, UNGUIDED, OPEN END WALL SIGNAL MODULE, 0.46 PTH
DIMENSIONS: mm		CHK: D. DIXON 12DEC2012	
TOLERANCES UNLESS OTHERWISE SPECIFIED:		APPROV: D. DIXON 12DEC2012	PRODUCT SPEC: -
0 PLC ±0.25		APPLICATION SPEC: -	SIZE: CAGE CODE DRAWING NO: A100779C=2143567
2 PLC ±0.13		RESTRICTED TO: -	SCALE: 5:1 SHEET 1 OF 1 REV B
3 PLC ±0.10		WEIGHT: -	
4 PLC ±0.08		CUSTOMER DRAWING	
ANGLES ±0.5			
MATERIAL: SEE TABLE			