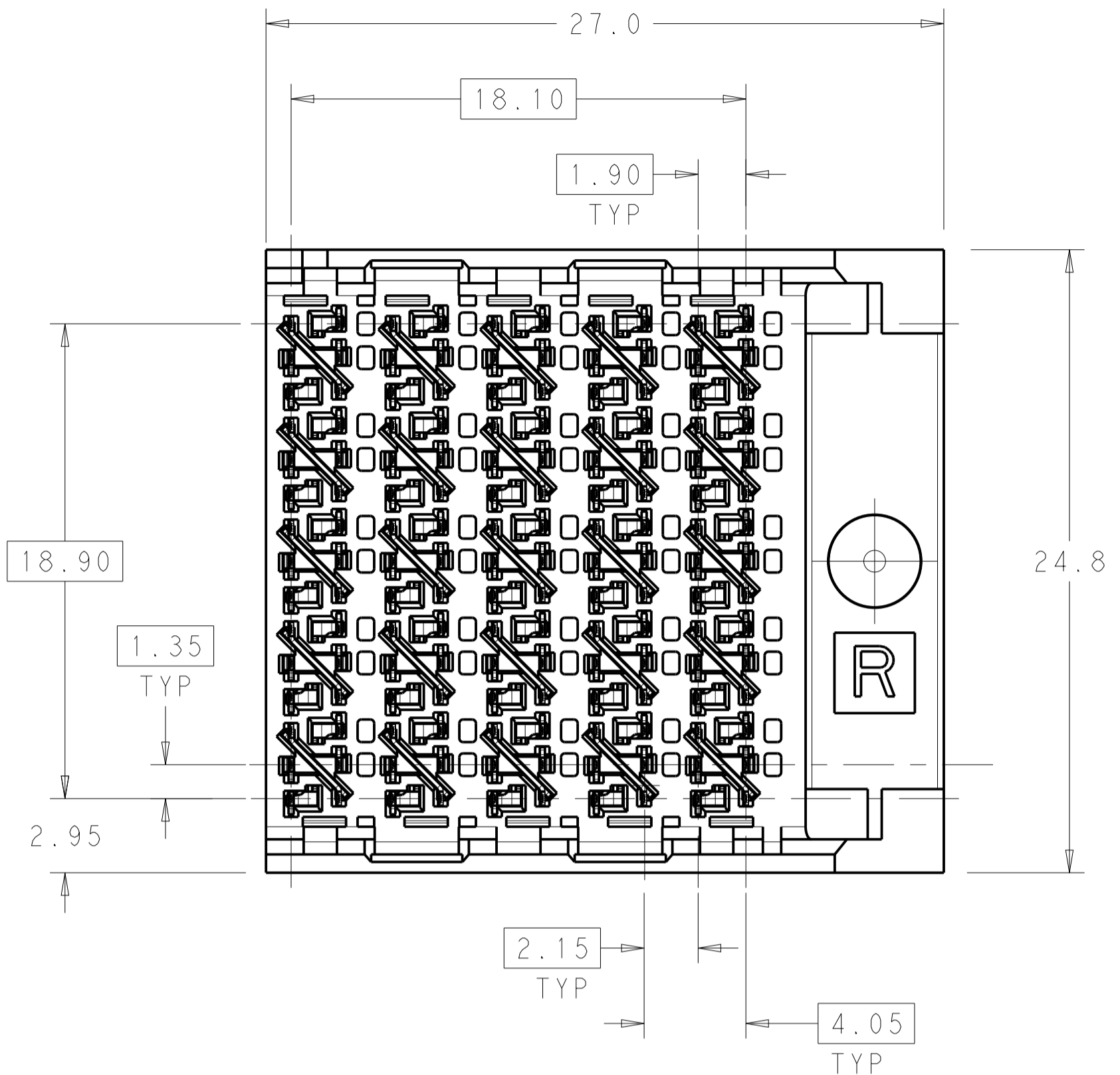
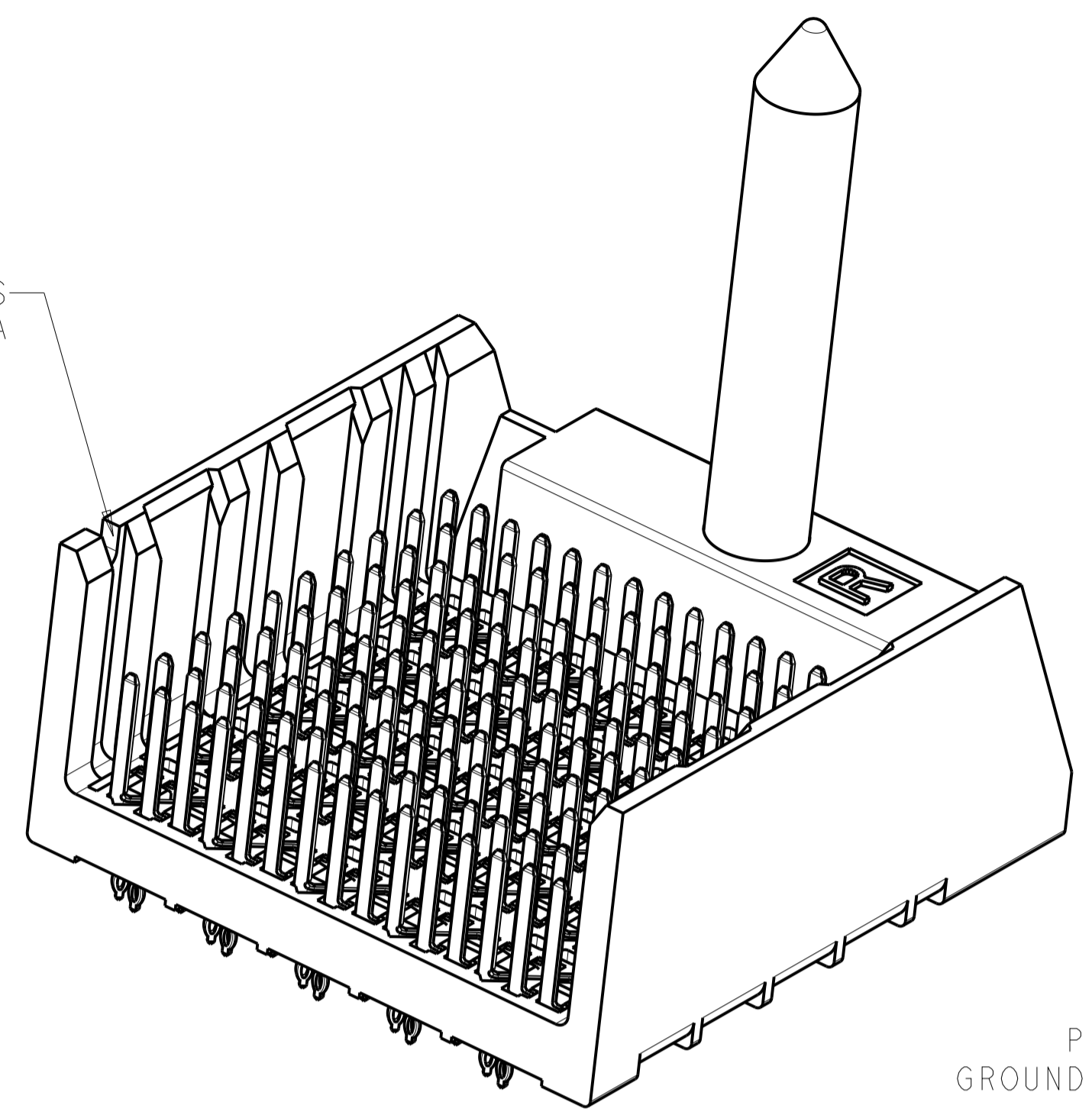


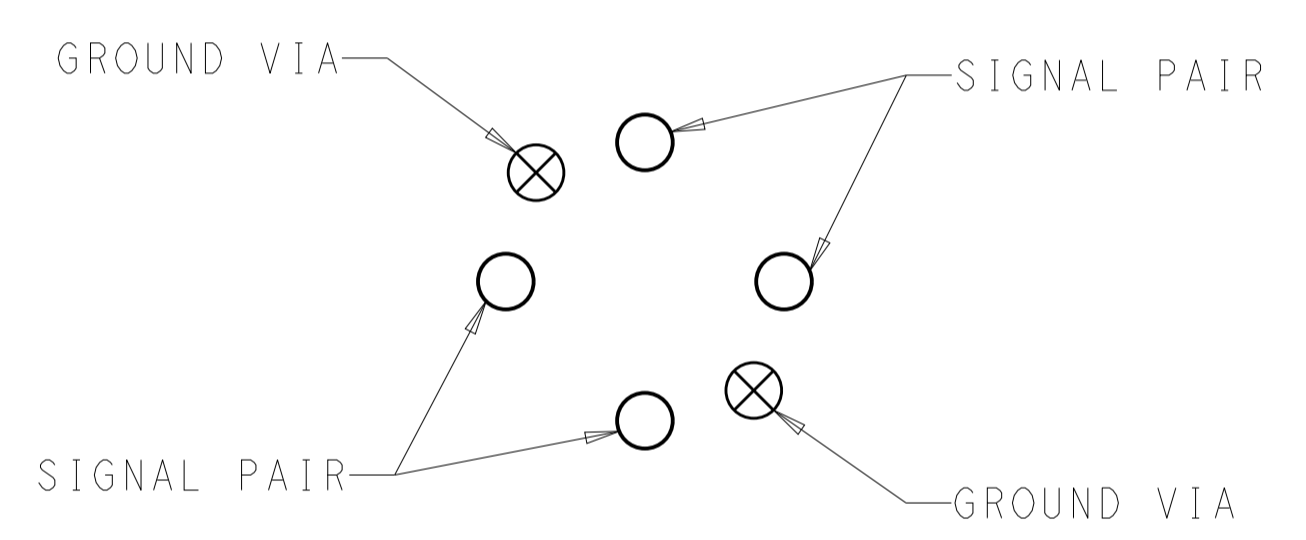
REVISIONS				
REV	LTN	DESCRIPTION	DATE	APVD
B		REVISED PER ECO-14-013272	09SEP2014	AP DD



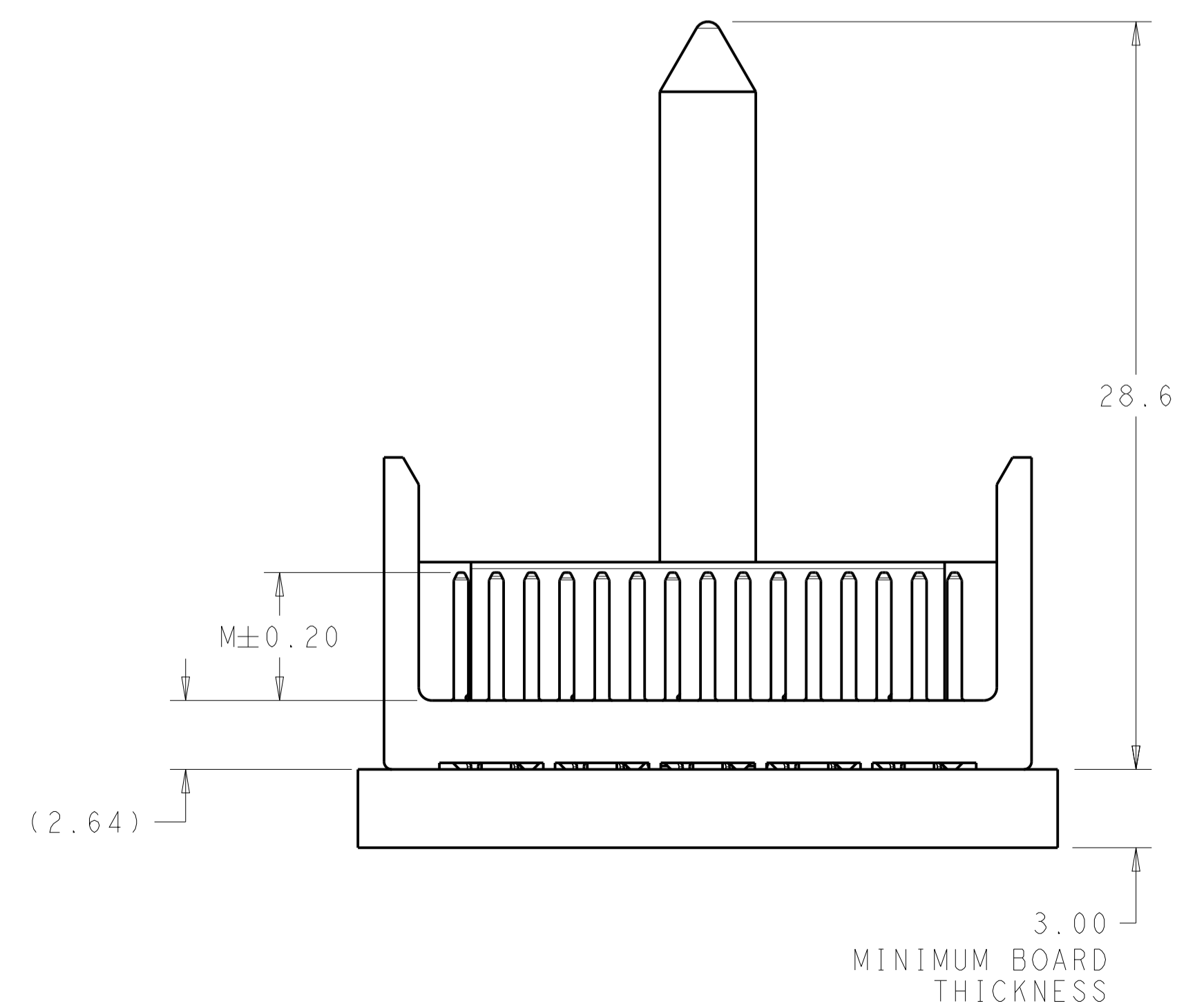
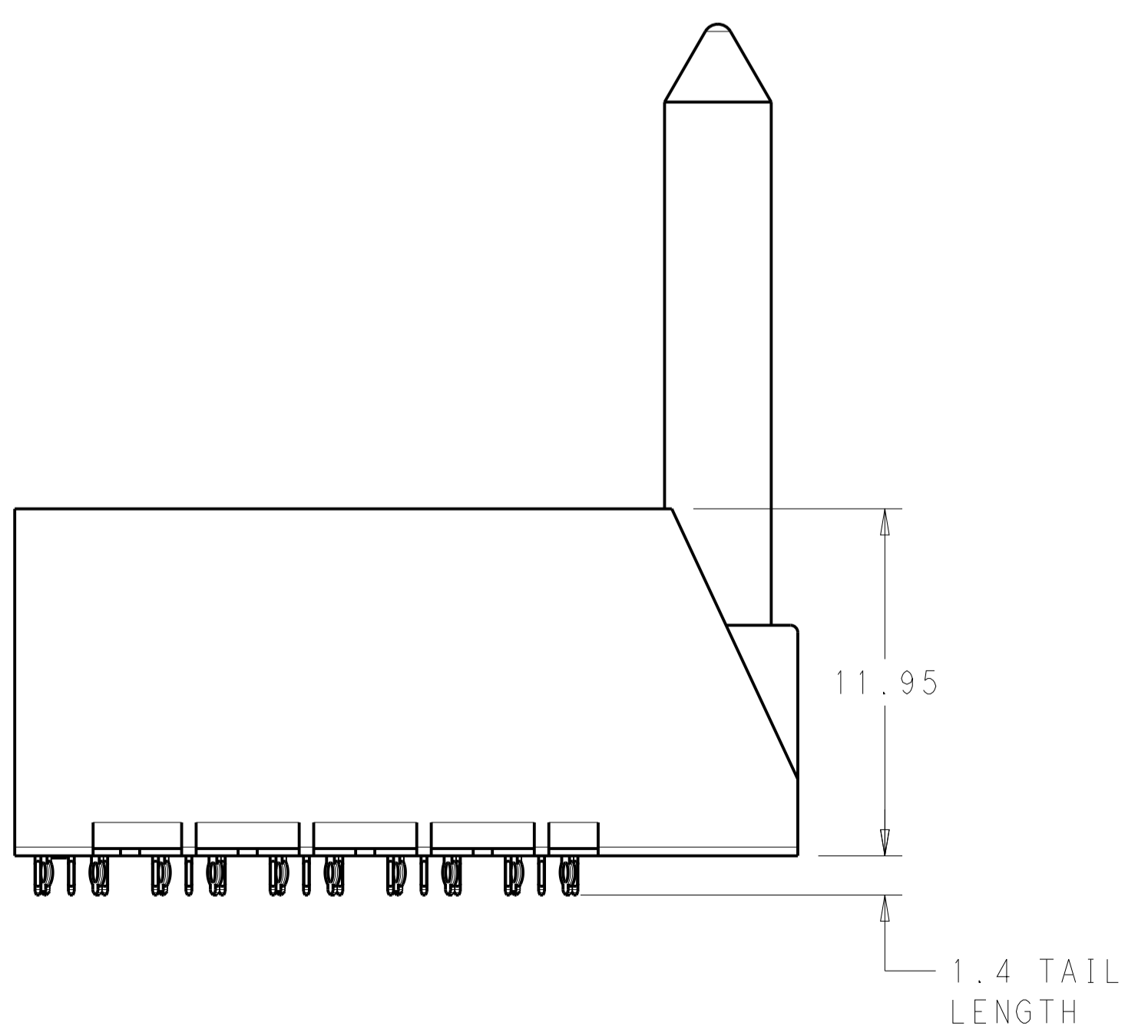
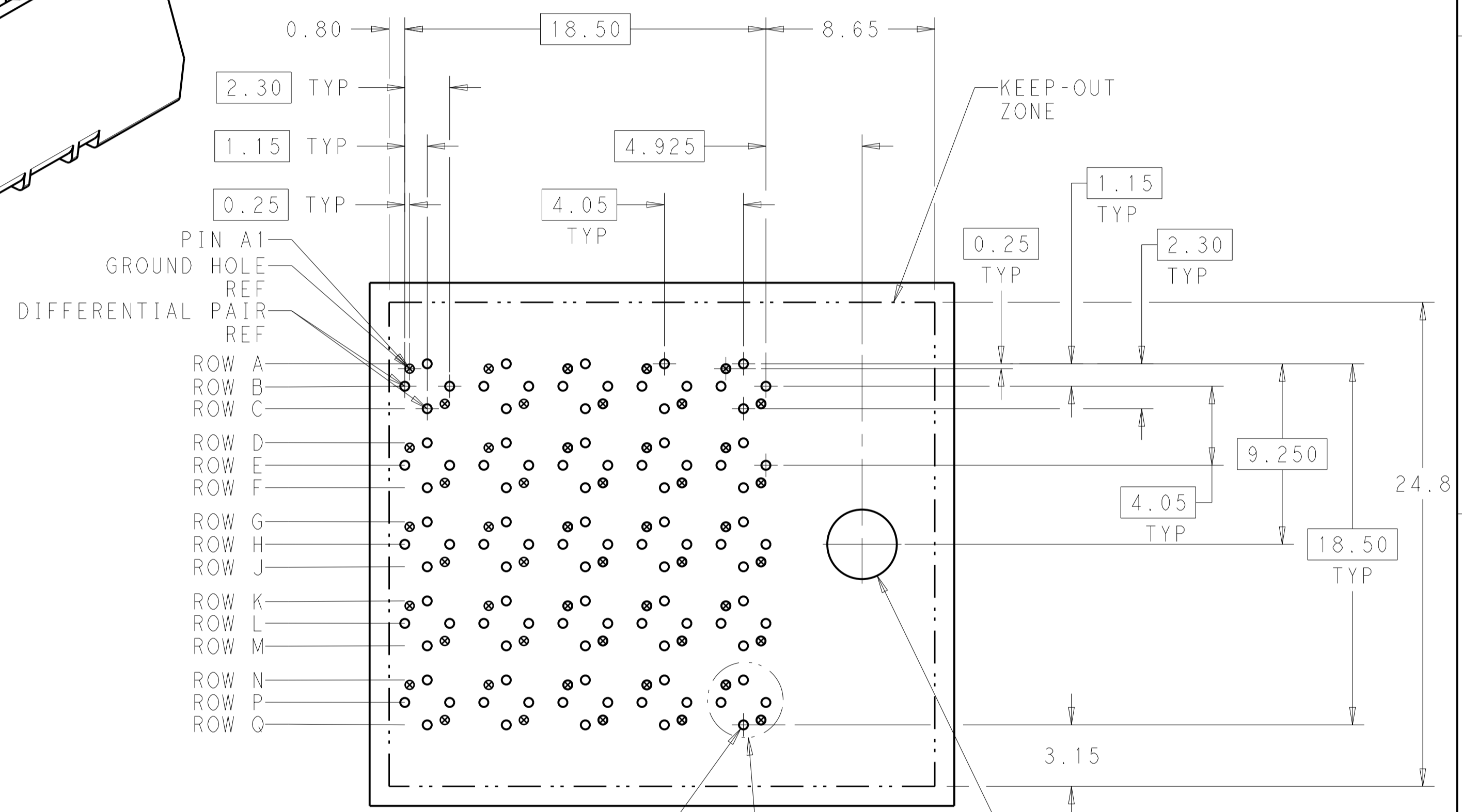
NOTCH DESIGNATES ROW A



- 1 MATERIAL:
HOUSING: LCP, GLASS FILLED, UL94V-0.
TERMINALS: HIGH PERFORMANCE COPPER ALLOY.
- 2 FINISH:
30µ" MIN GOLD IN CONTACT AREA. SELECTIVE TIN ON PCB TAILS, NICKEL OVERALL.
- 3. SCREWS PACKAGED IN END OF PACKAGING TUBE.
- 4 FOR GROUNDED GUIDE PIN USE $\varnothing 3.56 \pm 0.08$ PTH, $\varnothing 3.66$ DRILL, AND $\varnothing 6.5$ PAD.



DETAIL X
SCALE 16:1



REFER TO WWW.TE.COM FOR PRODUCT AVAILABILITY

2	5.5	2143565-2
2	4.9	2143565-1
FINISH	DIM M	PART NUMBER

THIS DRAWING IS A CONTROLLED DOCUMENT.		OWN: RIRAN HOLAL 12DEC2012	TE Connectivity	
DIMENSIONS: mm		CHK: D. DIXON 12DEC2012	NAME: IMPACT, ORTHOGONAL, 5 PAIR, 10 COLUMN HEADER, RIGHT GUIDED, OPEN END WALL SIGNAL MODULE, 0.46 PTH	
TOLERANCES UNLESS OTHERWISE SPECIFIED:		APVD: D. DIXON 12DEC2012	SIZE: CAGE CODE DRAWING NO: A100779C=2143565	
0 PLC	±	PRODUCT SPEC	RESTRICTED TO	
1 PLC	±0.25	APPLICATION SPEC	SCALE: 5:1 SHEET 1 OF 1 REV B	
2 PLC	±0.13	WEIGHT		
3 PLC	±	CUSTOMER DRAWING		
4 PLC	±			
ANGLES	±			
FINISH	SEE TABLE			