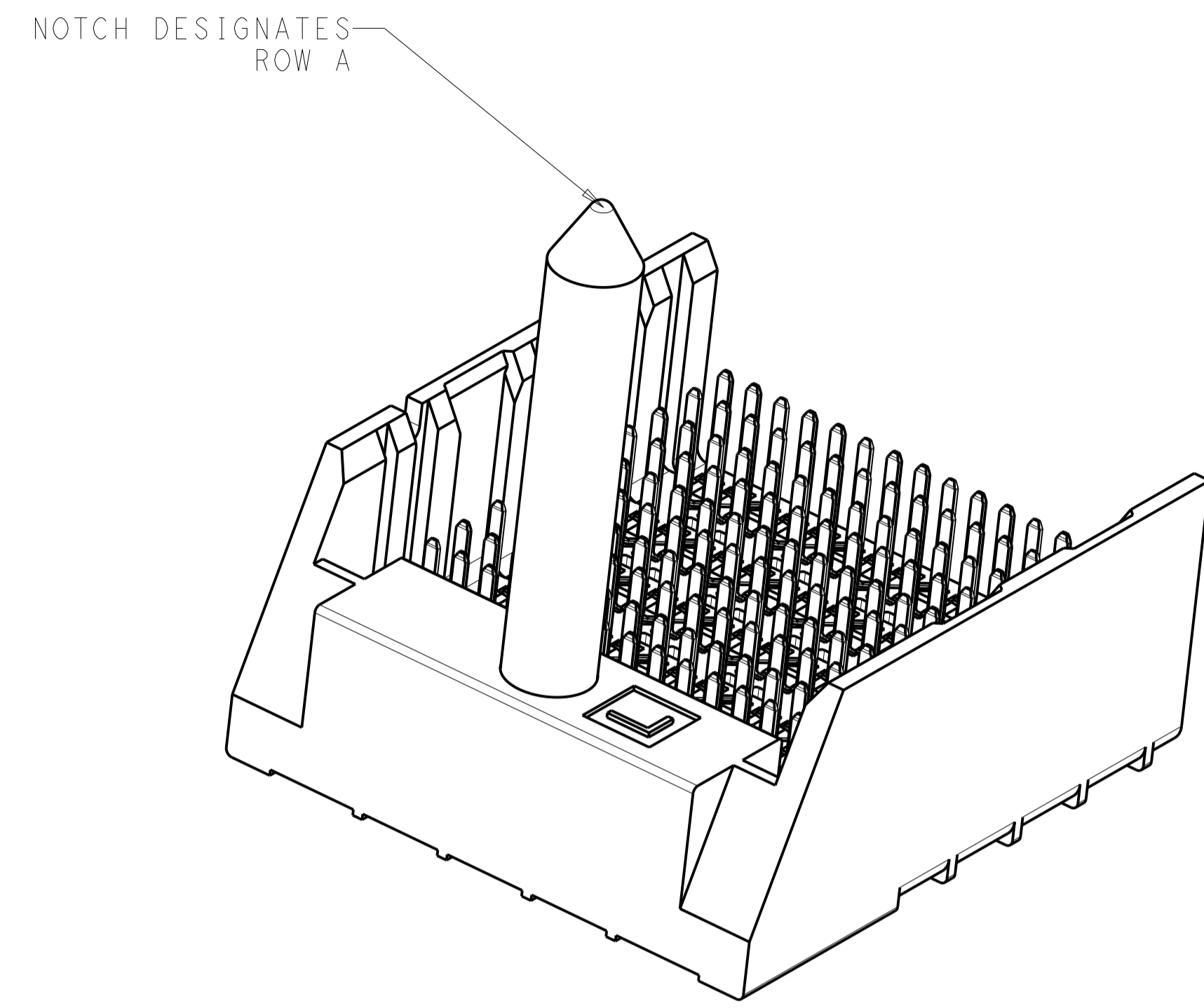
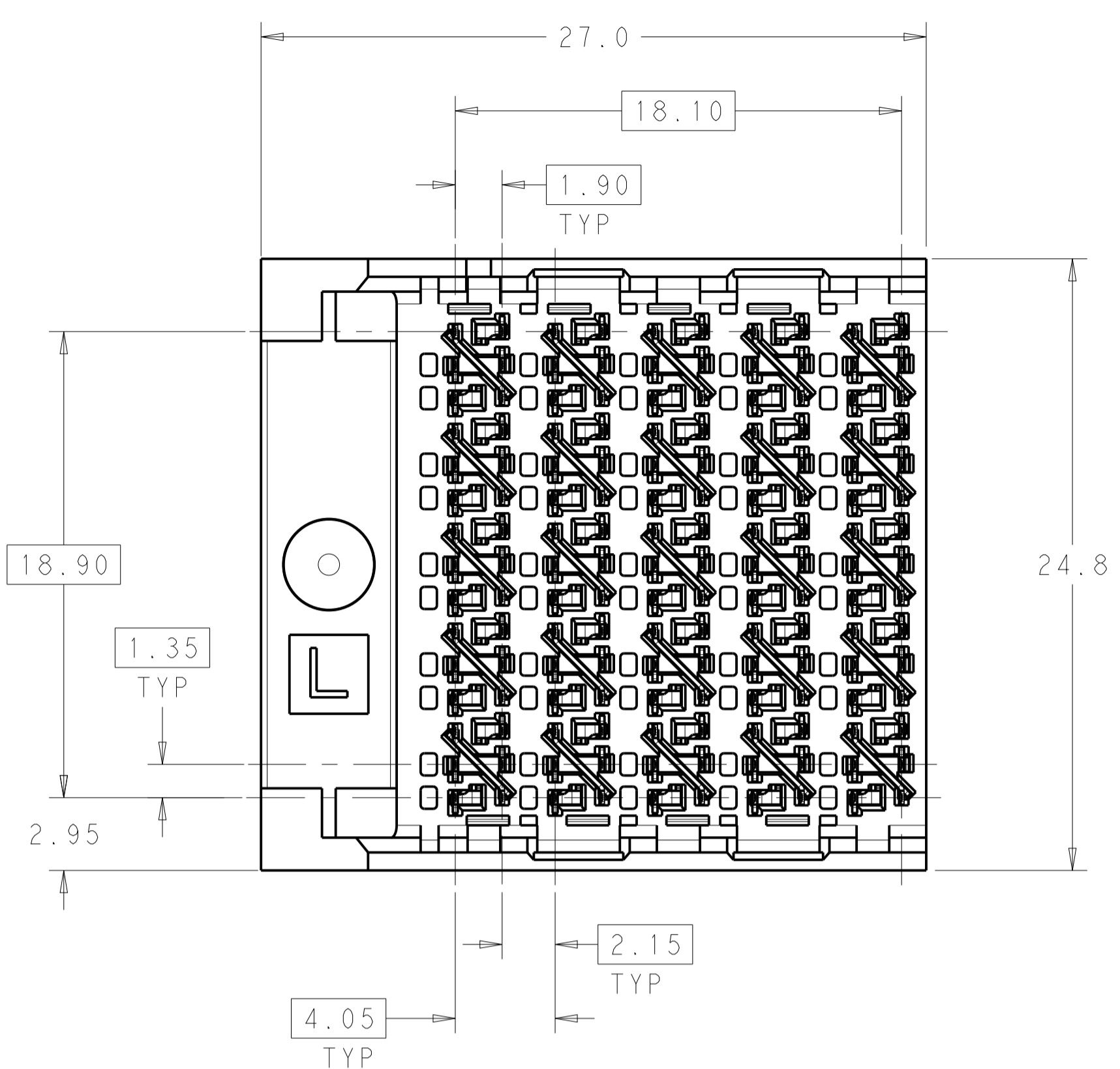
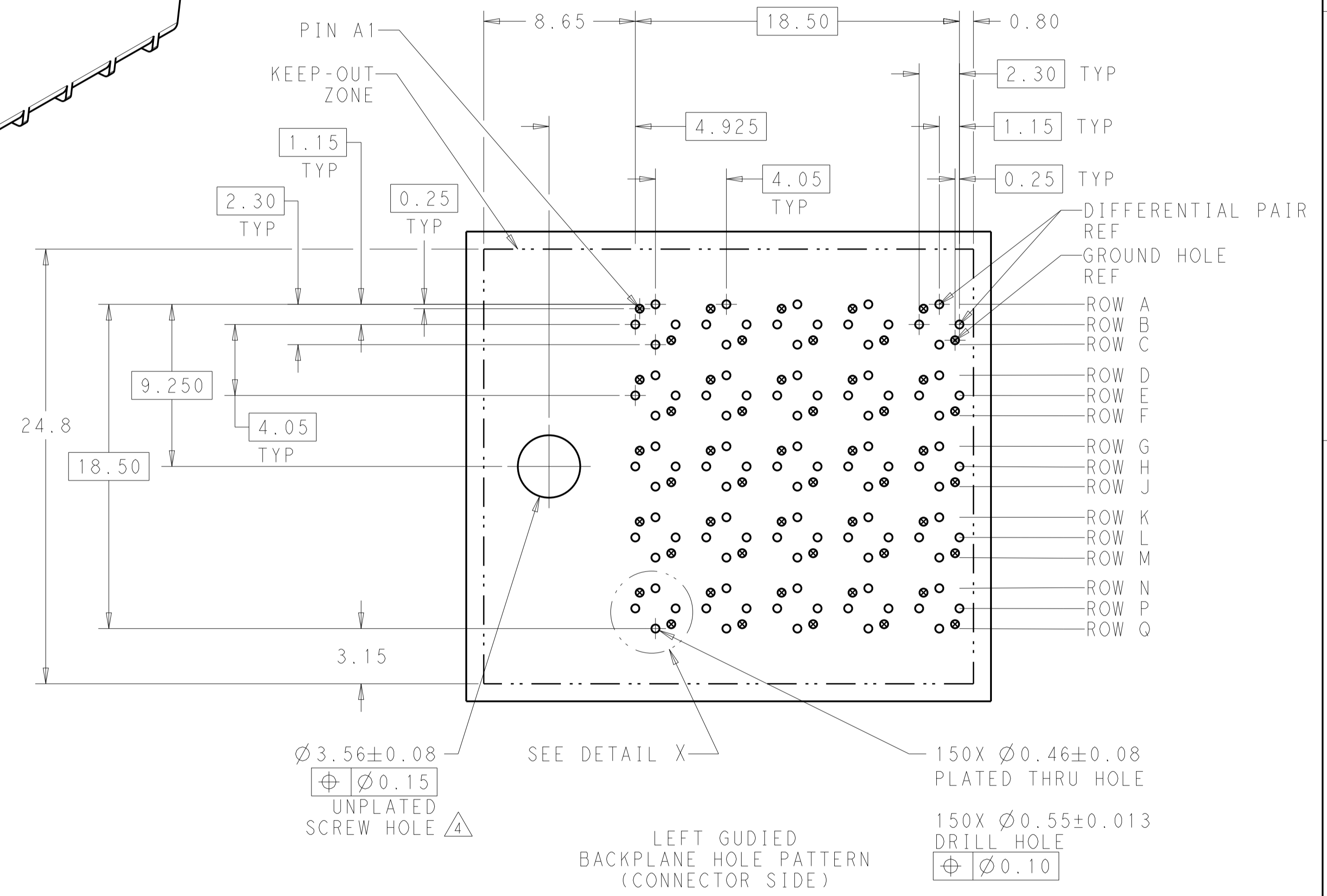
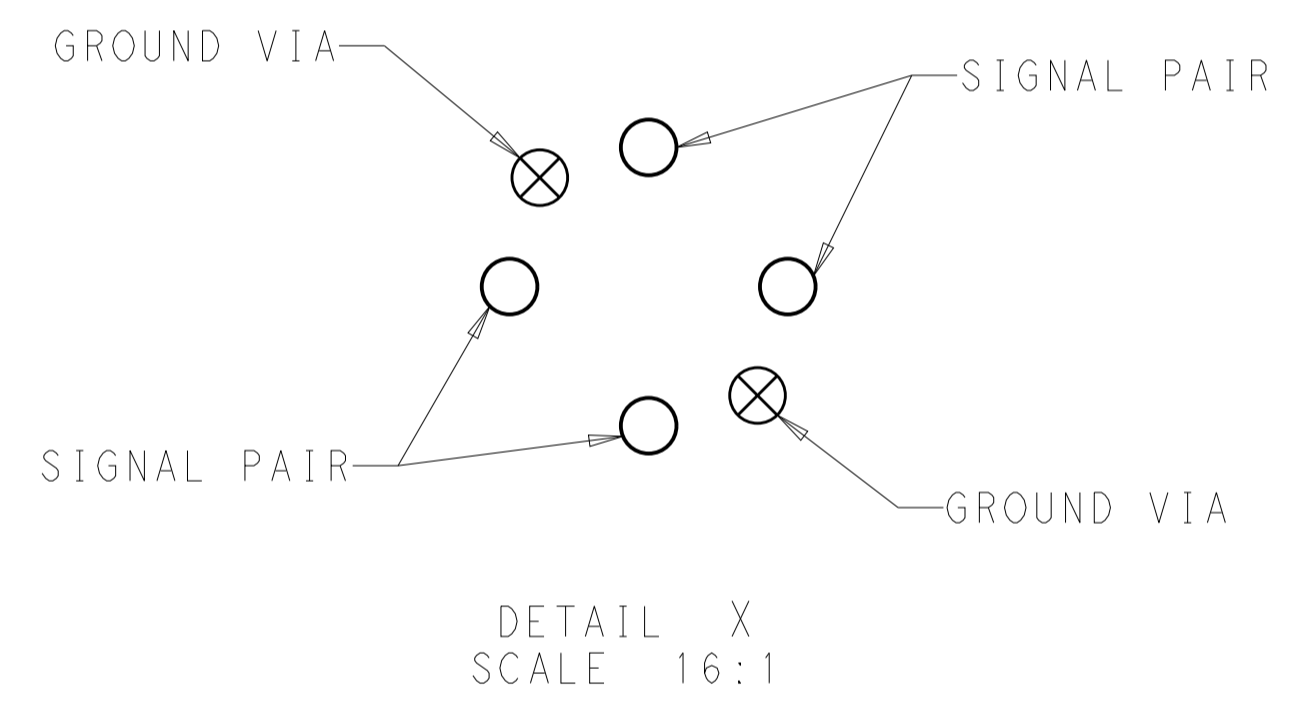


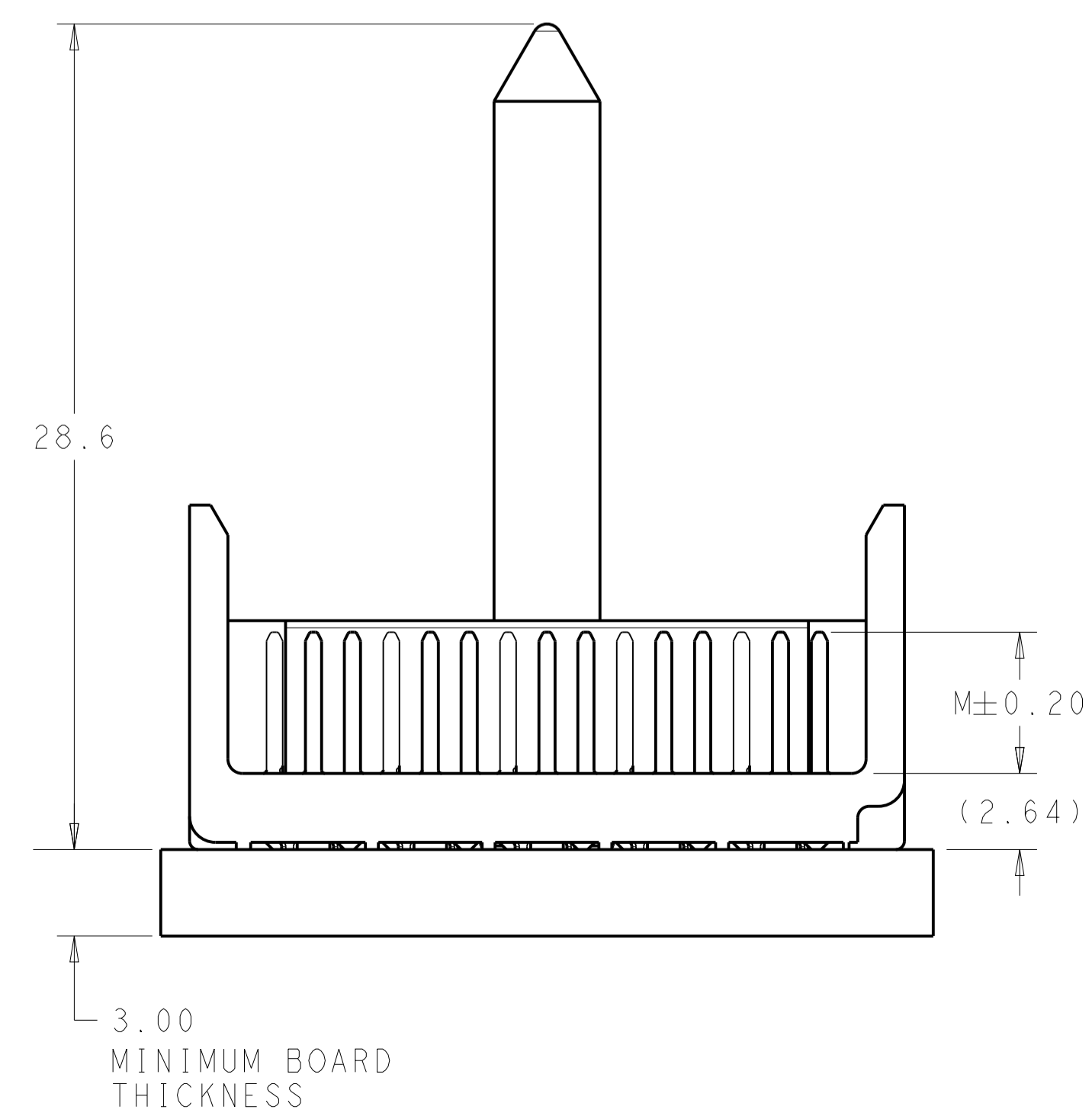
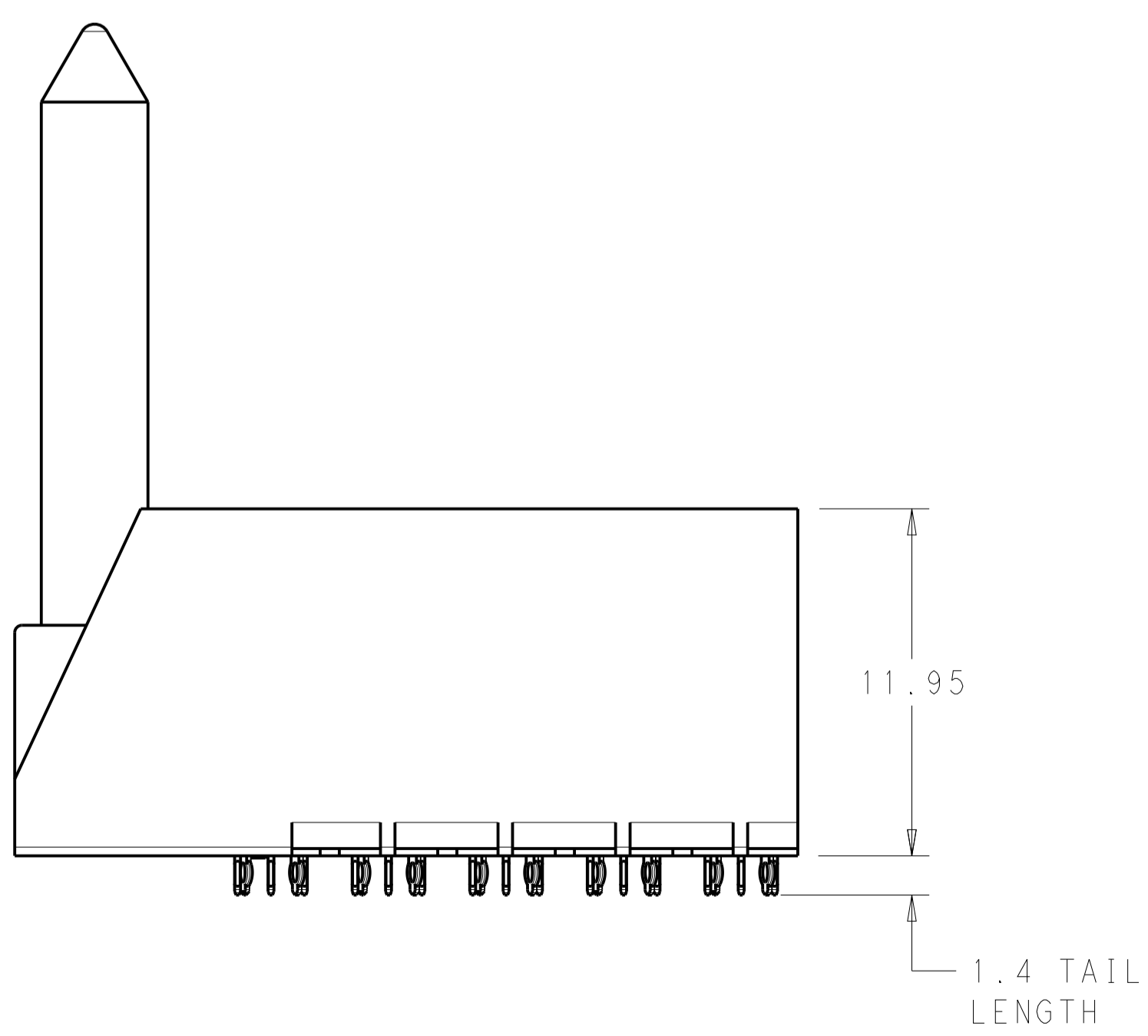
REVISIONS				
REV	LTN	DESCRIPTION	DATE	APV
B		REVISED PER ECO-14-013272	08SEP2014	AP DD



- 1 MATERIAL:  
HOUSING: LCP, GLASS FILLED, UL94V-0.  
TERMINALS: HIGH PERFORMANCE COPPER ALLOY.
- 2 FINISH:  
30µ" MIN GOLD IN CONTACT AREA. SELECTIVE TIN ON PCB TAILS, NICKEL OVERALL.
- 3. SCREWS PACKAGED IN END OF PACKAGING TUBE.
- 4 FOR GROUNDED GUIDE PIN USE  $\varnothing 3.56 \pm 0.08$  PTH,  $\varnothing 3.66$  DRILL, AND  $\varnothing 6.5$  PAD.



REFER TO WWW.TE.COM FOR PRODUCT AVAILABILITY



2	5.5	2143563-2
2	4.9	2143563-1
FINISH	DIM M	PART NUMBER

THIS DRAWING IS A CONTROLLED DOCUMENT.		OWN: KIRAN HOLH 31DEC2012	NAME: IMPACT, ORTHOGONAL, 5 PAIR, 10 COLUMN HEADER, LEFT GUIDED, OPEN END WALL SIGNAL MODULE, 0.46 PTH
DIMENSIONS:	TOLERANCES UNLESS OTHERWISE SPECIFIED:	CHK: D. DIXON 31DEC2012	PRODUCT SPEC
mm	0 PLC ±0.25 1 PLC ±0.13 3 PLC ±0.13 4 PLC ±0.13	APV: D. DIXON 31DEC2012	APPLICATION SPEC
MATERIAL	FINISH	WEIGHT	SIZE: CAGE CODE DRAWING NO. RESTRICTED TO
	SEE TABLE		A100779C=2143563
CUSTOMER DRAWING		SCALE: 5:1	SHEET 1 OF 1 REV B