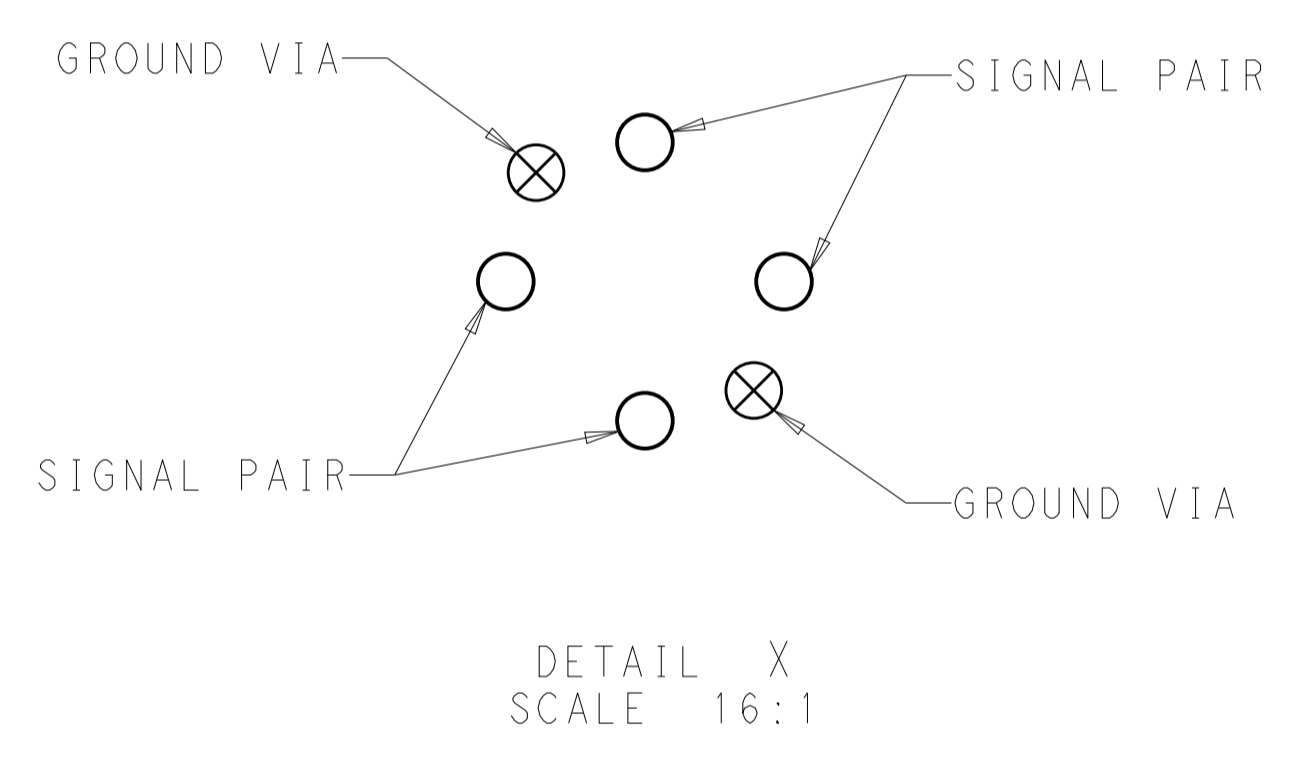
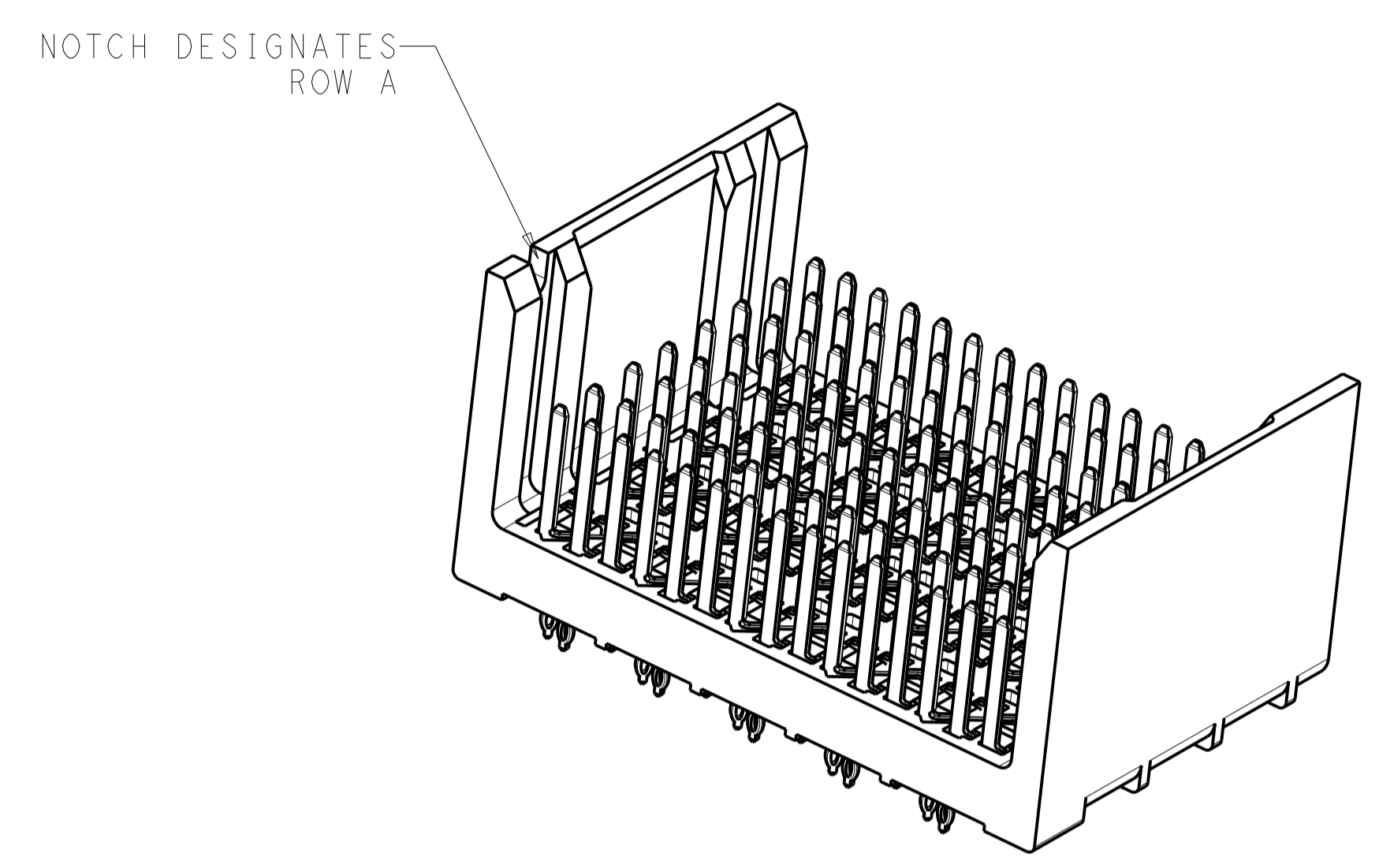
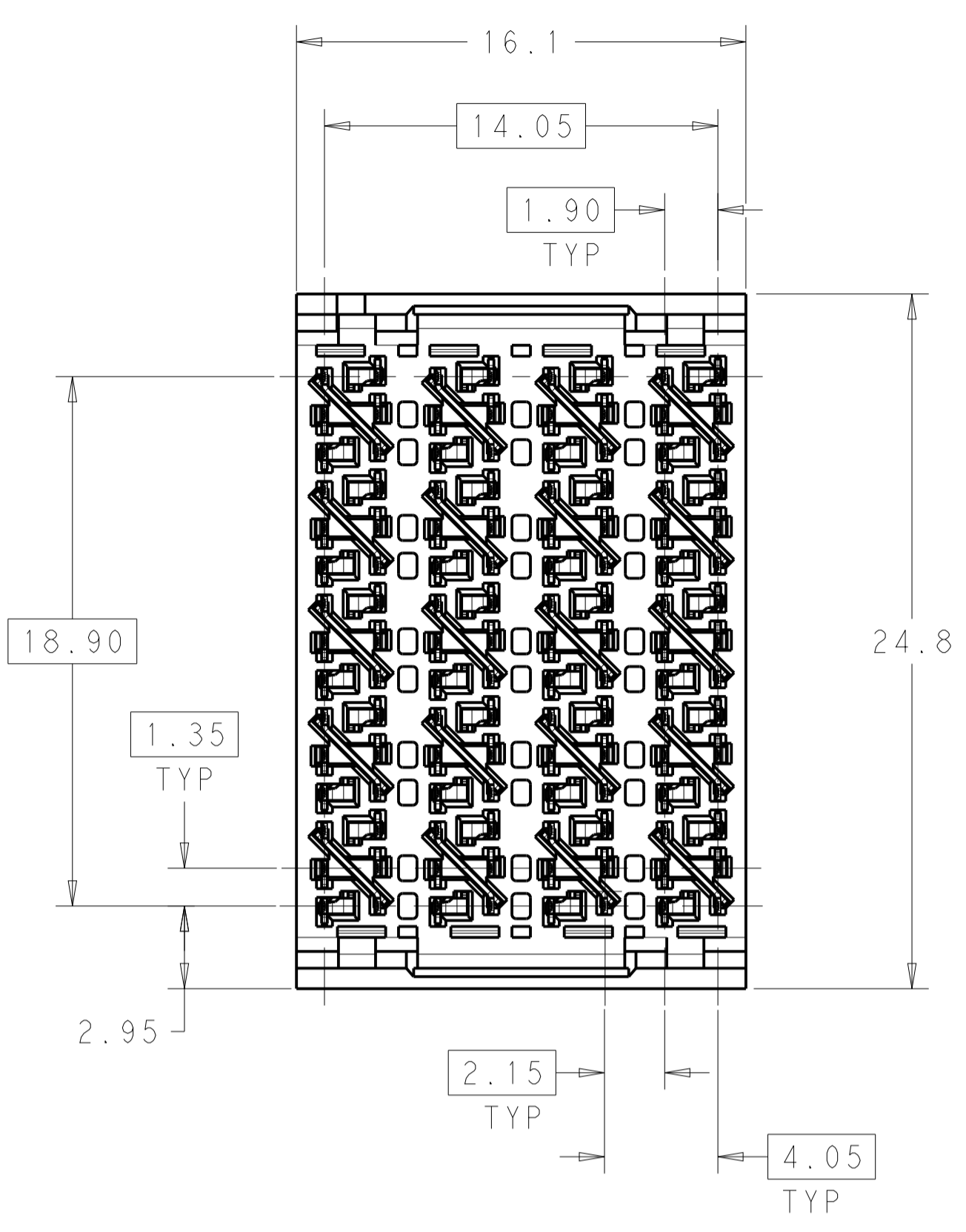
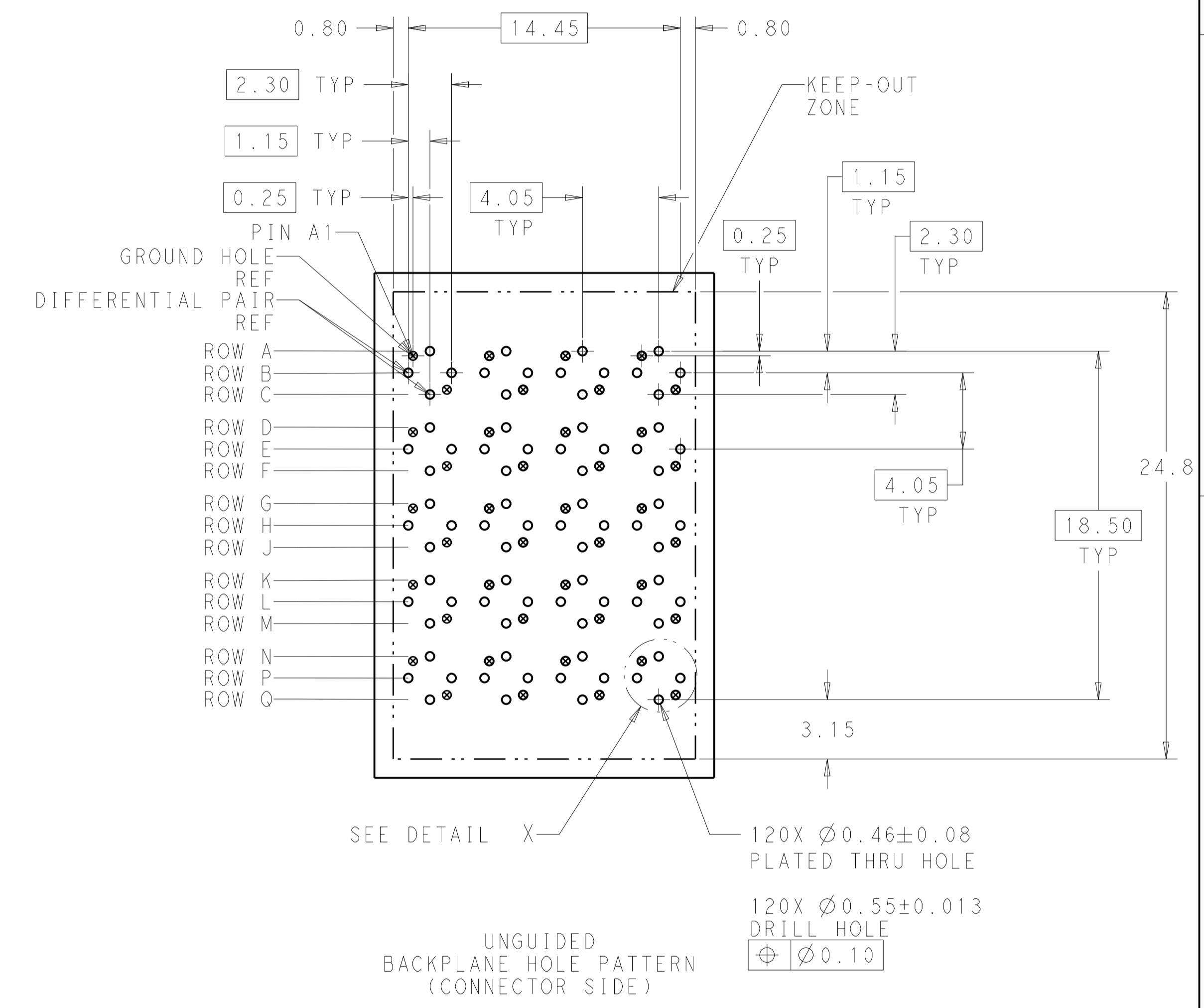


REVISIONS				
P.	LTN	DESCRIPTION	DATE	APV'D
B		REVISED PER ECO-14-013272	08SEP2014	AP DD

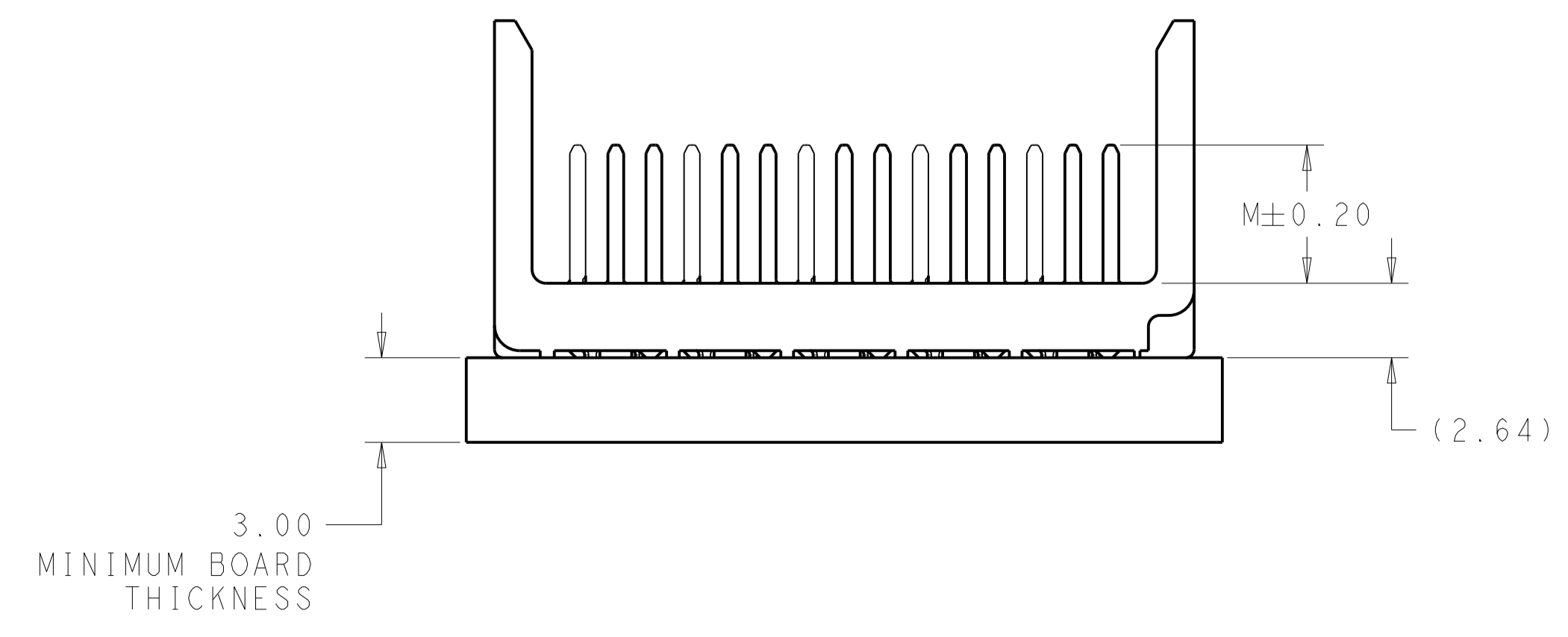
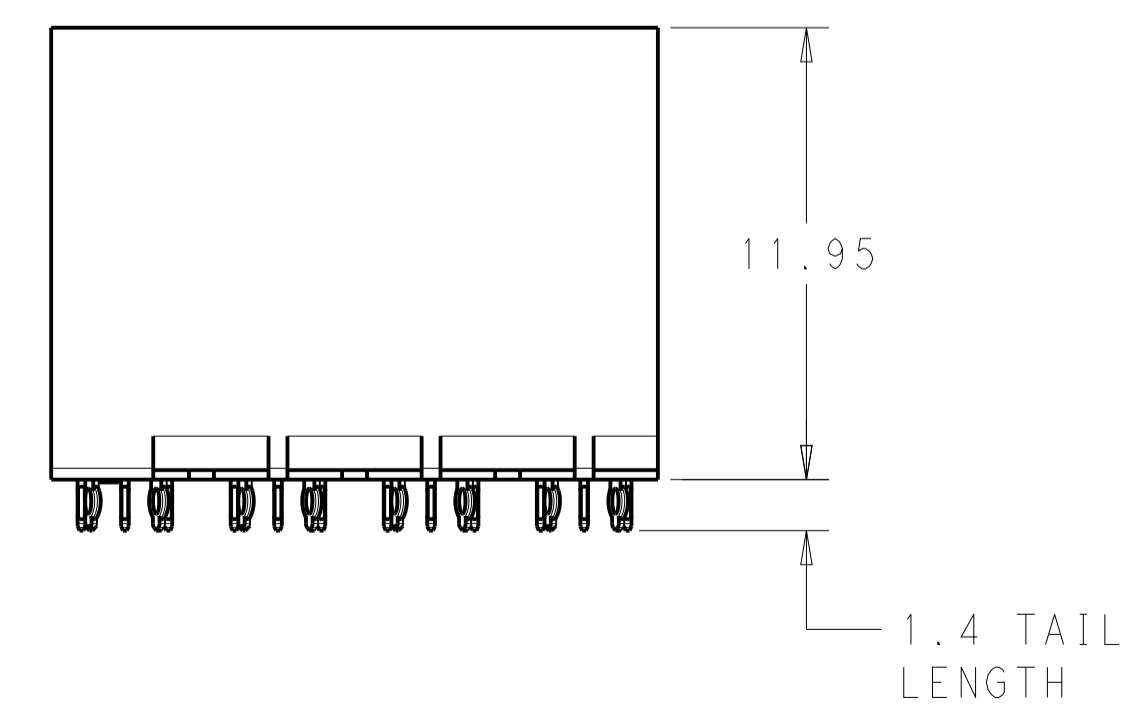


△ MATERIAL:
 HOUSING: LCP, GLASS FILLED, UL94V-0.
 TERMINALS: HIGH PERFORMANCE COPPER ALLOY.

△ FINISH:
 30μ" MIN GOLD IN CONTACT AREA. SELECTIVE TIN
 ON PCB TAILS, NICKEL OVERALL.



REFER TO WWW.TE.COM
 FOR PRODUCT AVAILABILITY



△	5.5	2143555-2
△	4.9	2143555-1
FINISH	DIM M	PART NUMBER

THIS DRAWING IS A CONTROLLED DOCUMENT.		DWN: KIRAN HOLH 01DEC2012	NAME: IMPACT, ORTHOGONAL, 5 PAIR, 8 COLUMN HEADER, UNGUIDED, OPEN END WALL SIGNAL MODULE, 0.46 PTH
DIMENSIONS: mm		CHK: D. DIXON 01DEC2012	
TOLERANCES UNLESS OTHERWISE SPECIFIED:		APV'D: D. DIXON 01DEC2012	SIZE: CAGE CODE DRAWING NO. RESTRICTED TO
0 PLC ±	0.25	PRODUCT SPEC	A100779C=2143555
2 PLC ±	0.13	APPLICATION SPEC	SCALE 5:1 SHEET 1 OF 1 REV B
3 PLC ±		WEIGHT	
4 PLC ±		CUSTOMER DRAWING	
ANGLES ±			
MATERIAL: SEE TABLE			