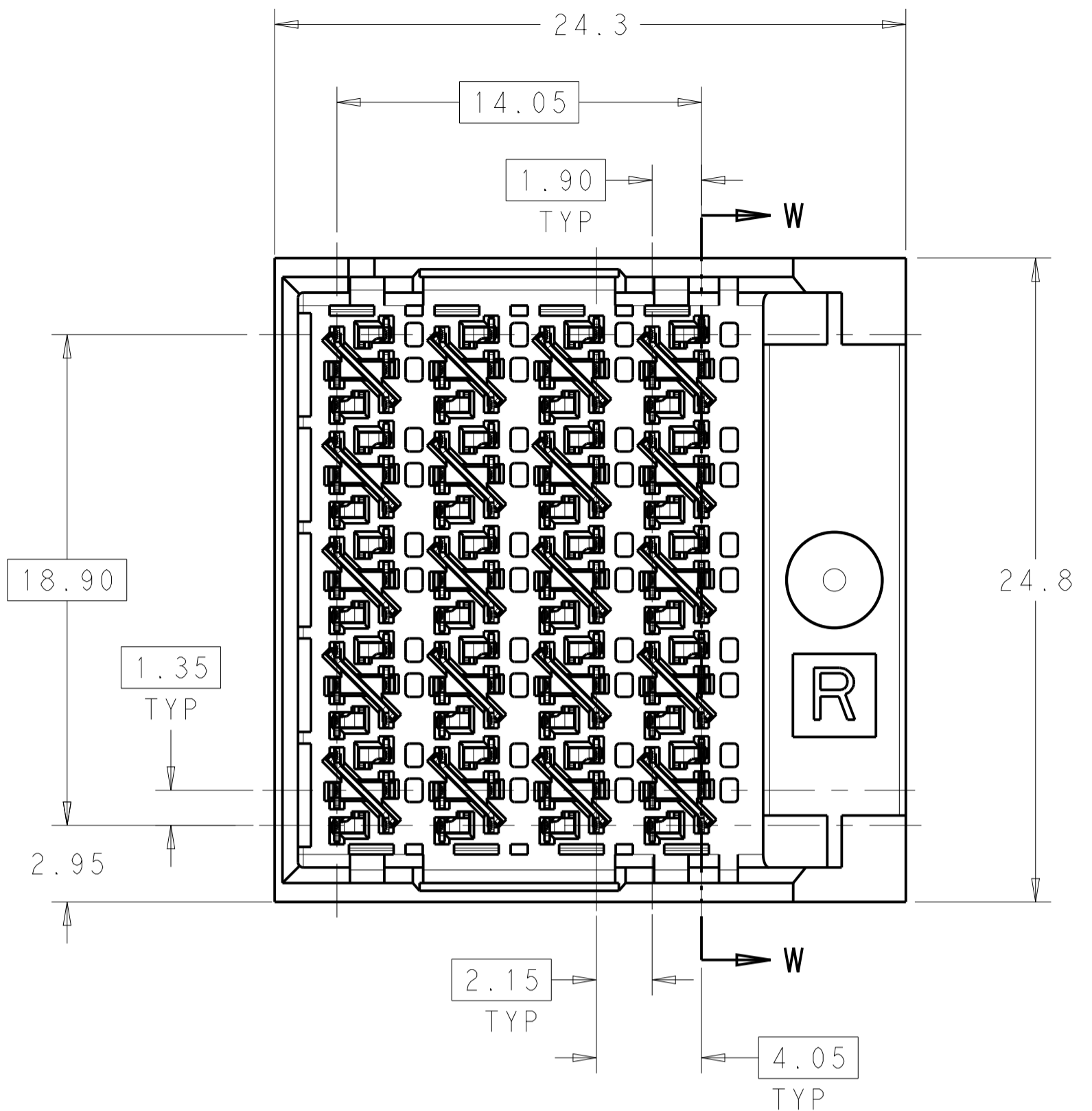
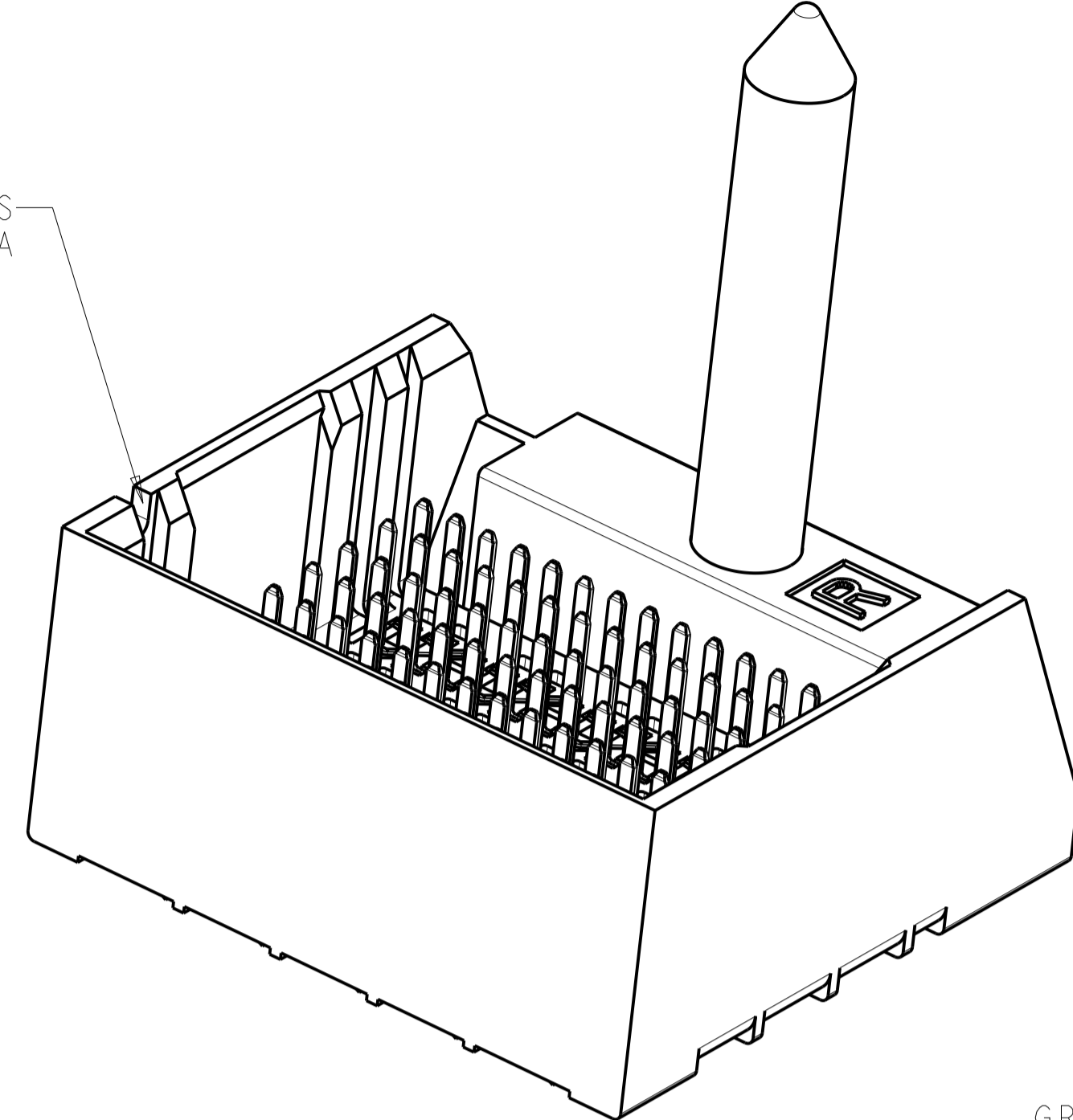


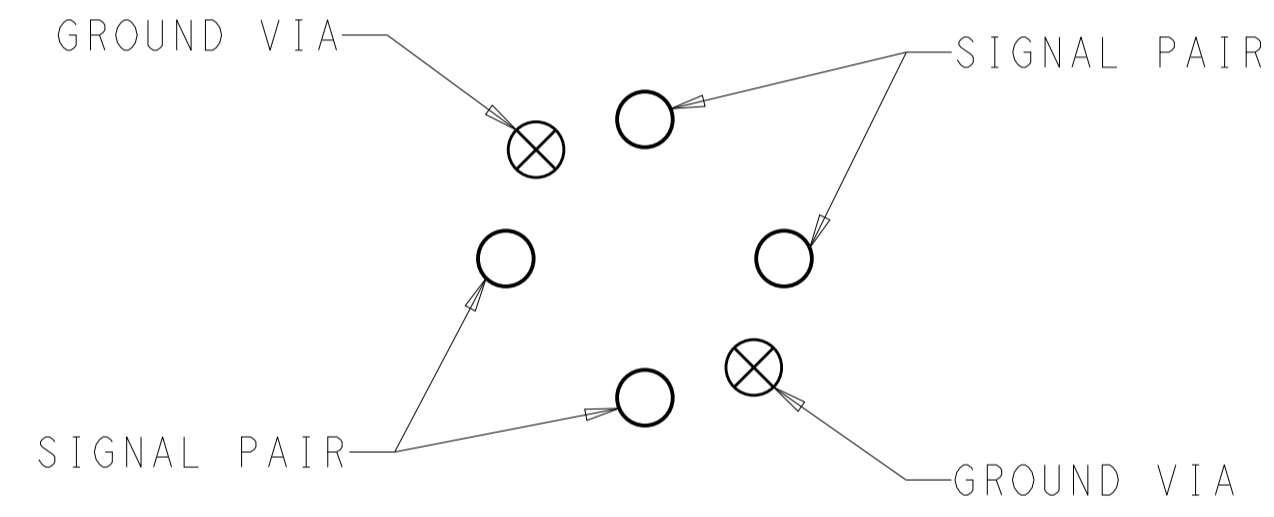
REVISIONS				
REV	LTN	DESCRIPTION	DATE	APV
B		REVISED PER ECO-14-013272	08SEP2014	AP DD



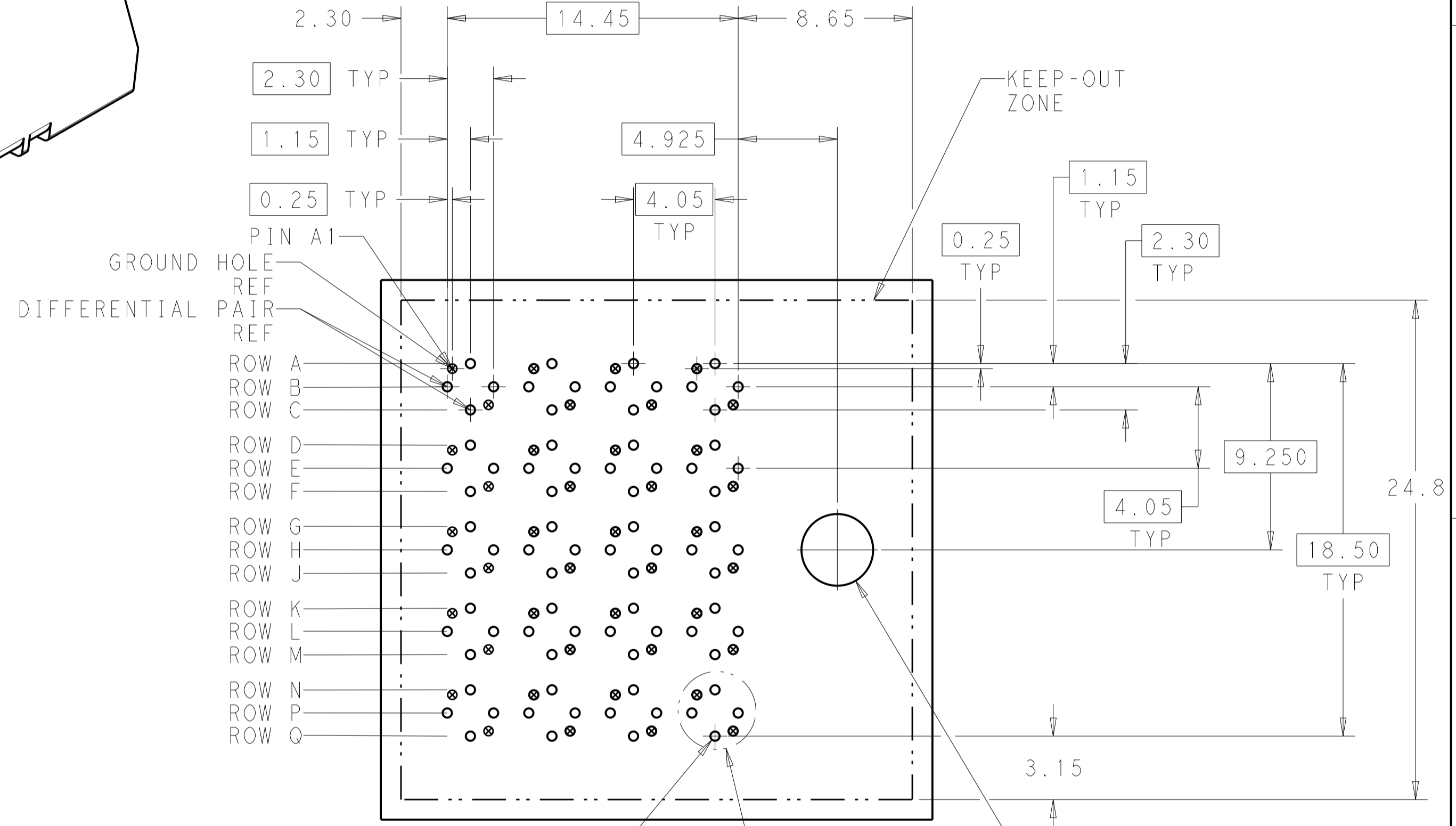
NOTCH DESIGNATES ROW A



- 1 MATERIAL:
HOUSING: LCP, GLASS FILLED, UL94V-0.
TERMINALS: HIGH PERFORMANCE COPPER ALLOY.
- 2 FINISH:
30µ" MIN GOLD IN CONTACT AREA. SELECTIVE TIN ON PCB TAILS, NICKEL OVERALL.
- 3. SCREWS PACKAGED IN END OF PACKAGING TUBE.
- 4 FOR GROUNDED GUIDE PIN USE $\varnothing 3.56 \pm 0.08$ PTH, $\varnothing 3.66$ DRILL, AND $\varnothing 6.5$ PAD.

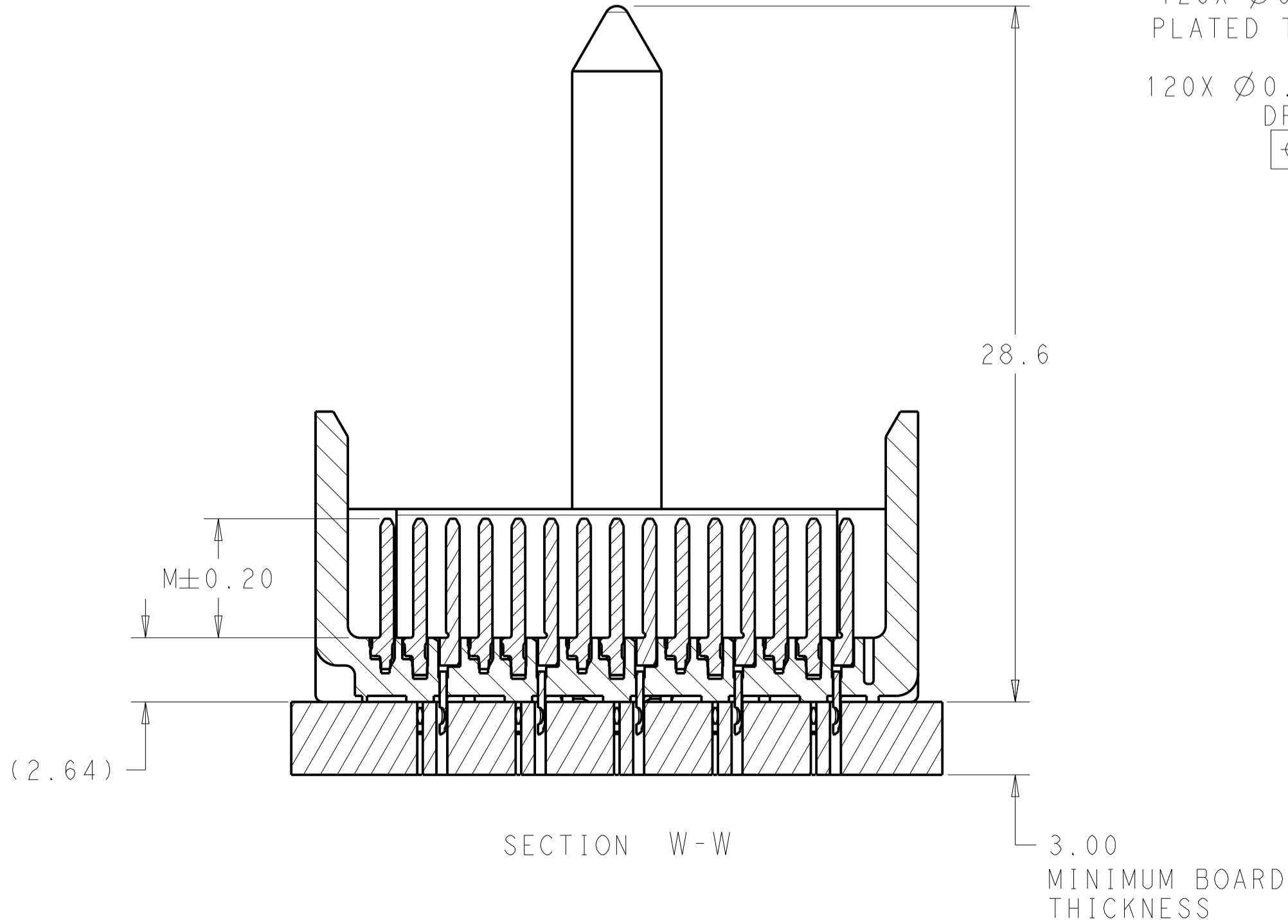
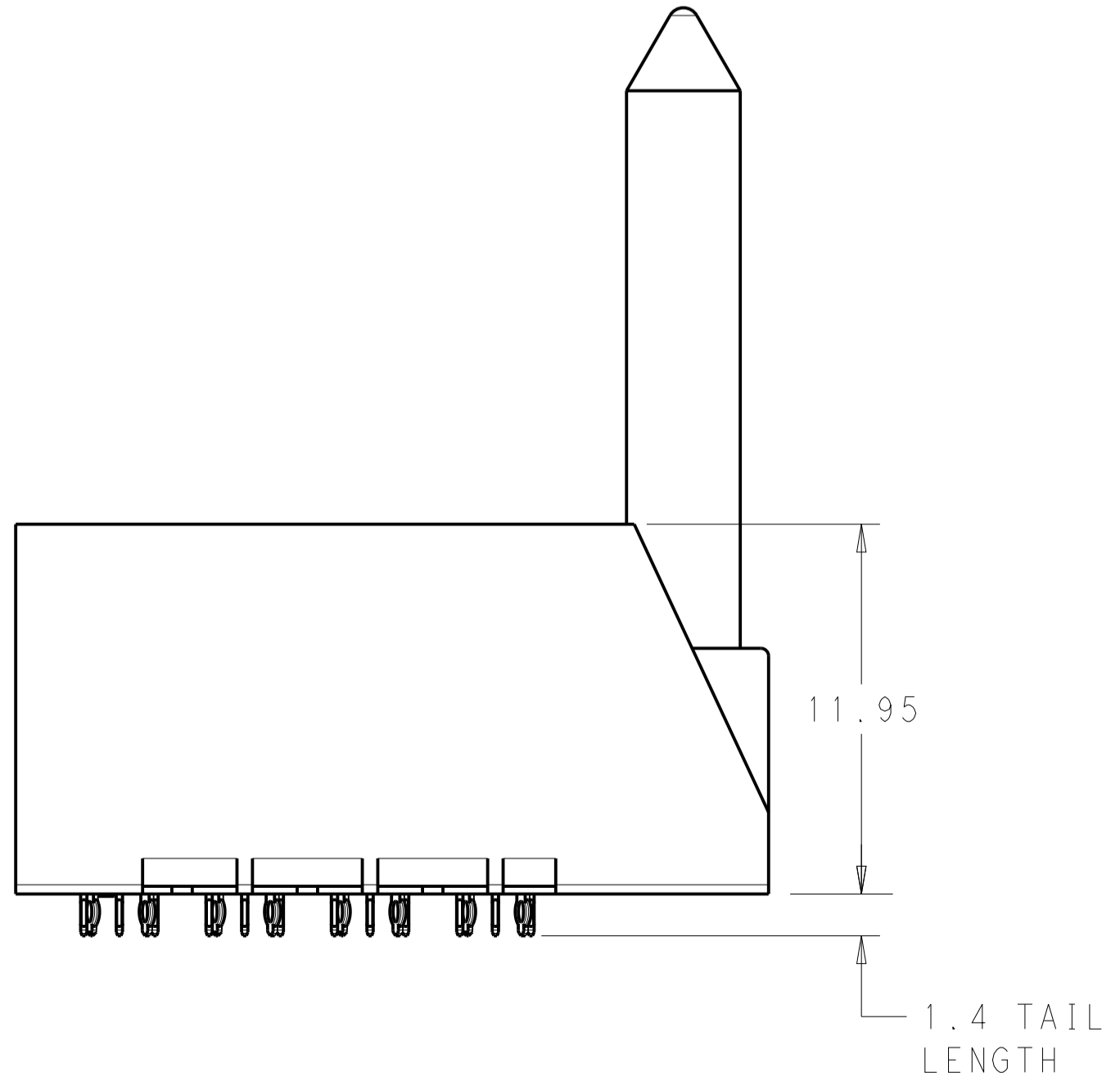


DETAIL X
SCALE 16:1



120X $\varnothing 0.46 \pm 0.08$ PLATED THRU HOLE
 120X $\varnothing 0.55 \pm 0.013$ DRILL HOLE $\varnothing 0.10$
 RIGHT GUIDED BACKPLANE HOLE PATTERN (CONNECTOR SIDE)
 $\varnothing 3.56 \pm 0.08$ UNPLATED SCREW HOLE 4

REFER TO WWW.TE.COM FOR PRODUCT AVAILABILITY



2	5.5	2143554-2
2	4.9	2143554-1
FINISH	DIM M	PART NUMBER

THIS DRAWING IS A CONTROLLED DOCUMENT.		OWN: R. IRAN HOLA 01DEC2012	NAME: IMPACT, ORTHOGONAL, 5 PAIR, 8 COLUMN HEADER, RIGHT GUIDED, LEFT END WALL SIGNAL MODULE, 0.46 PTH
DIMENSIONS: mm		CHK: D. DIXON 01DEC2012	
TOLERANCES UNLESS OTHERWISE SPECIFIED:		APV: D. DIXON 01DEC2012	PRODUCT SPEC
0 PLC ±		APPLICATION SPEC	SIZE: CAGE CODE DRAWING NO
1 PLC ±0.25		WEIGHT	A100779C=2143554
2 PLC ±0.13		FINISH	RESTRICTED TO
3 PLC ±		SEE TABLE	CUSTOMER DRAWING
4 PLC ±		SCALE 5:1	SHEET 1 OF 1 REV B
ANGLES			