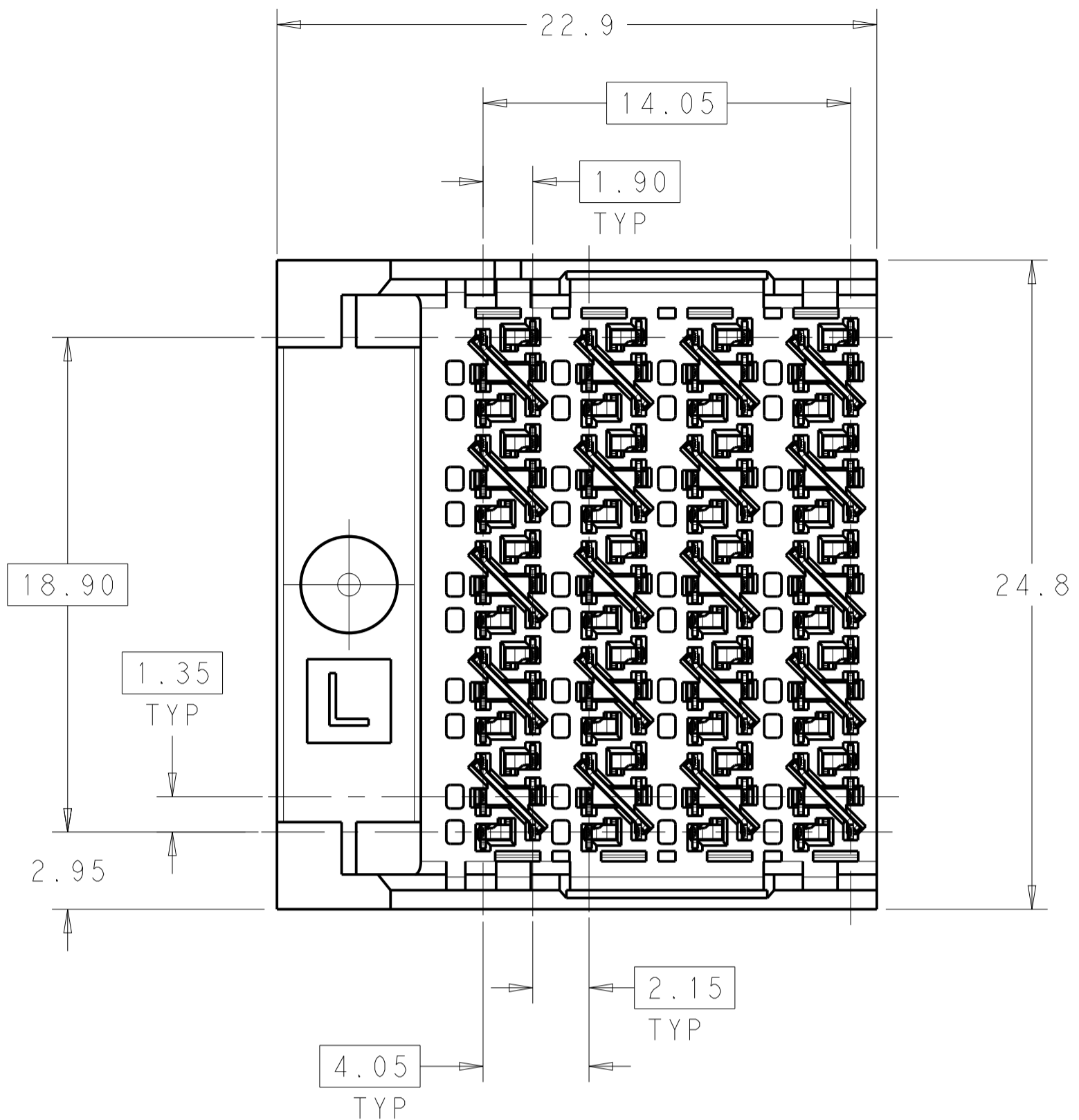
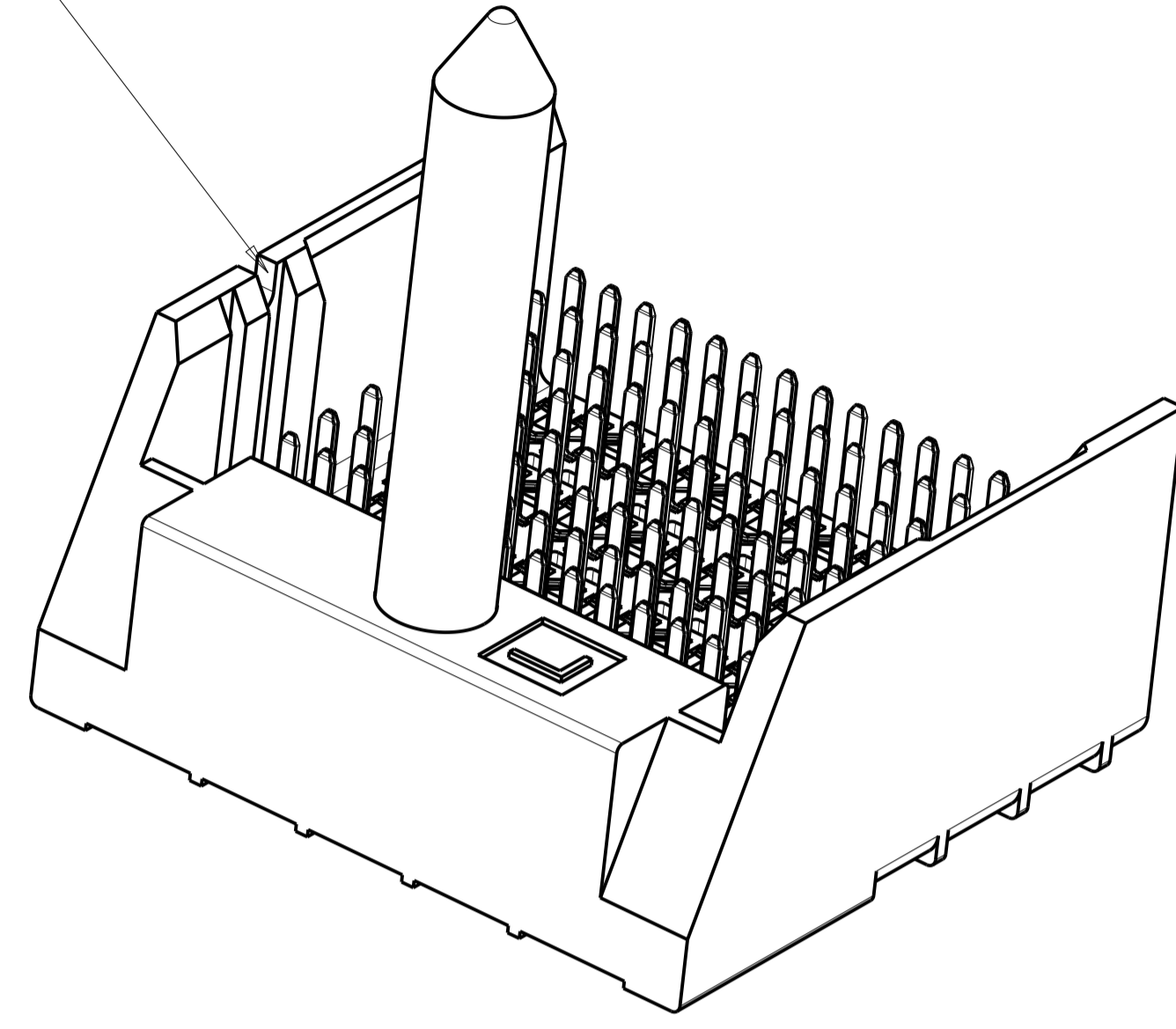


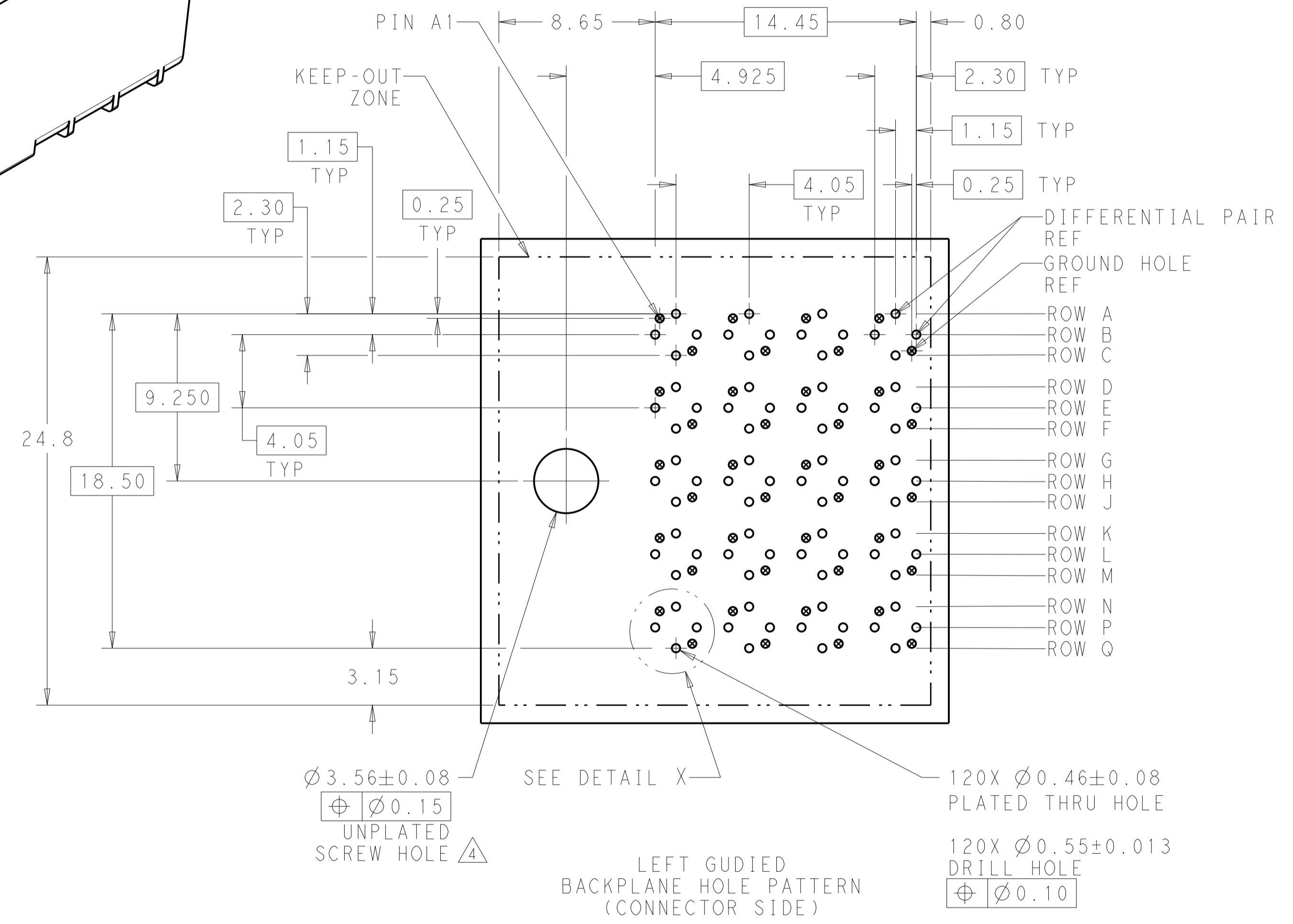
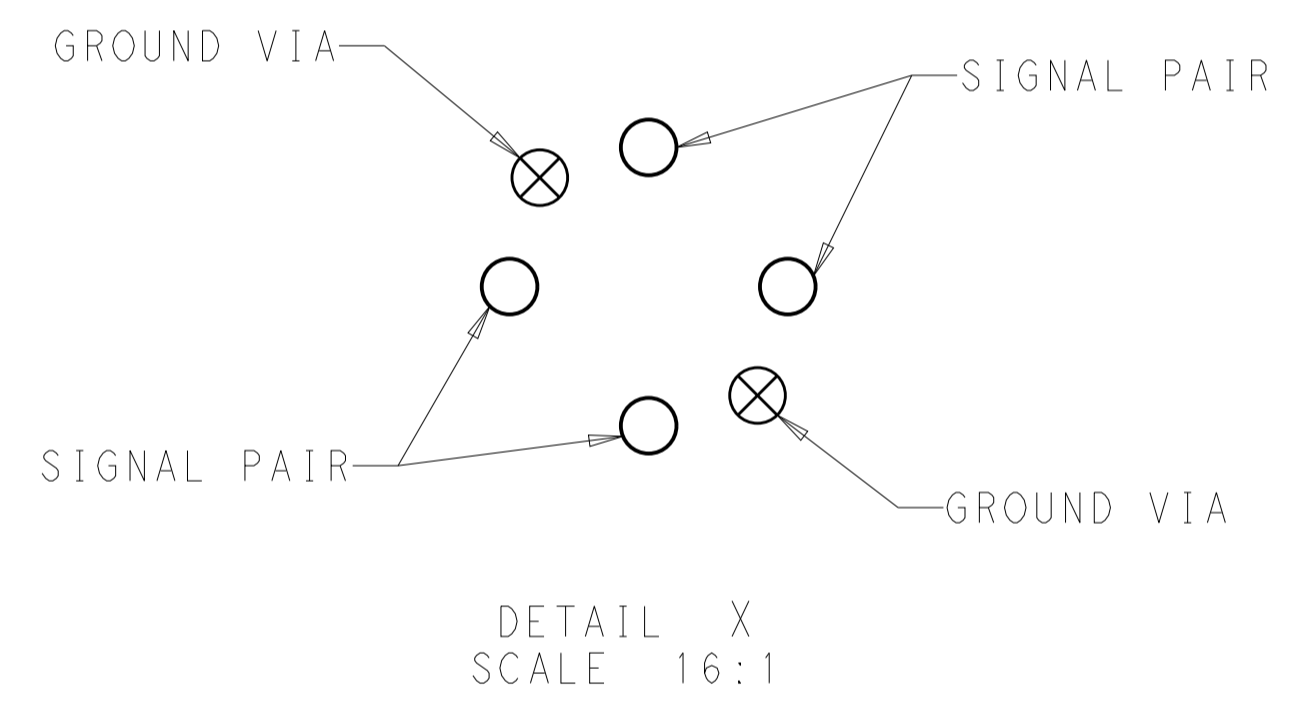
REVISIONS				
P.	LTN	DESCRIPTION	DATE	DMN APVD
B		REVISED PER ECO-14-013272	08SEP2014	AP DD



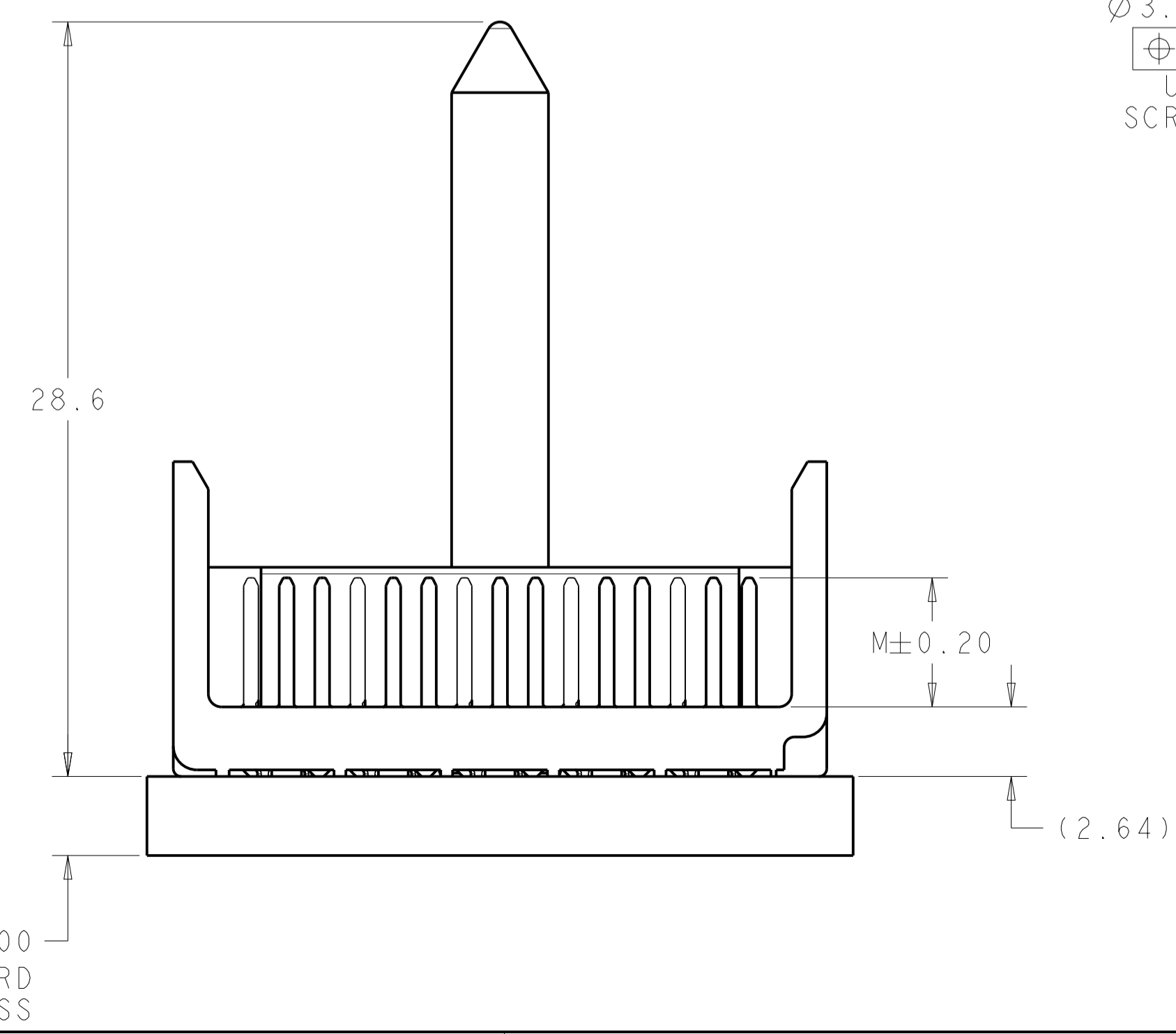
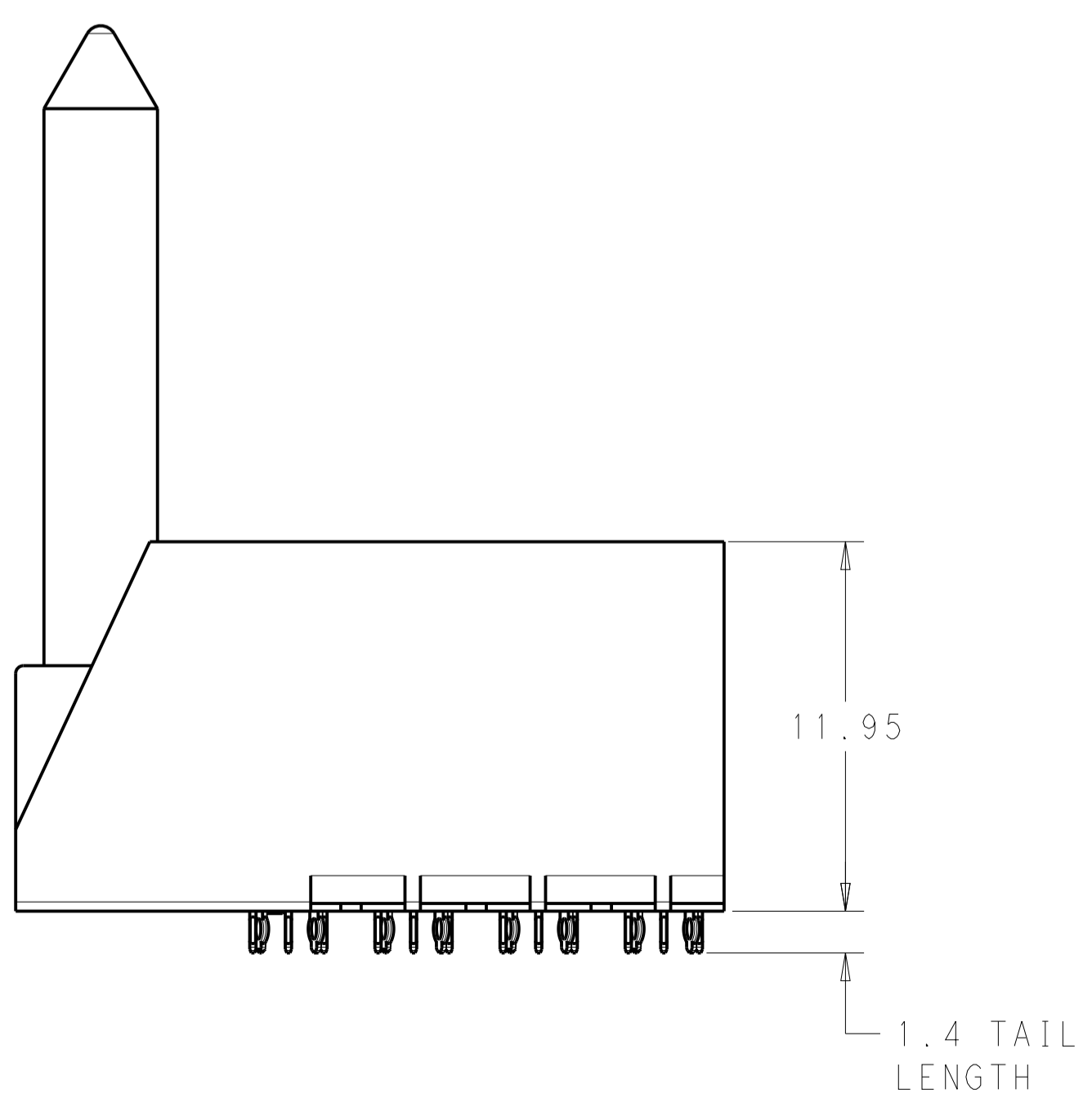
NOTCH DESIGNATES ROW A



- 1 MATERIAL:
HOUSING: LCP, GLASS FILLED, UL94V-0.
TERMINALS: HIGH PERFORMANCE COPPER ALLOY.
- 2 FINISH:
30µ" MIN GOLD IN CONTACT AREA. SELECTIVE TIN ON PCB TAILS, NICKEL OVERALL.
- 3. SCREWS PACKAGED IN END OF PACKAGING TUBE.
- 4 FOR GROUNDED GUIDE PIN USE $\varnothing 3.56 \pm 0.08$ PTH, $\varnothing 3.66$ DRILL, AND $\varnothing 6.5$ PAD.



REFER TO WWW.TE.COM FOR PRODUCT AVAILABILITY



2	5.5	2143551-2
2	4.9	2143551-1
FINISH	DIM M	PART NUMBER

THIS DRAWING IS A CONTROLLED DOCUMENT.		DMN: 30NOV2012	
DIMENSIONS: mm		CHK: 30NOV2012	
TOLERANCES UNLESS OTHERWISE SPECIFIED:		APVD: 30NOV2012	
0 PLC ±		NAME: IMPACT, ORTHOGONAL, 5 PAIR, 8 COLUMN HEADER, LEFT GUIDED, OPEN END WALL SIGNAL MODULE, 0.46 PTH	
1 PLC ±0.25		PRODUCT SPEC	SIZE: CAGE CODE DRAWING NO
2 PLC ±0.13		APPLICATION SPEC	RESTRICTED TO
3 PLC ±		WEIGHT	A100779C=2143551
4 PLC ±		Customer Drawing	SCALE: 5:1 SHEET 1 OF 1 REV B
ANGLES			
FINISH			
SEE TABLE			