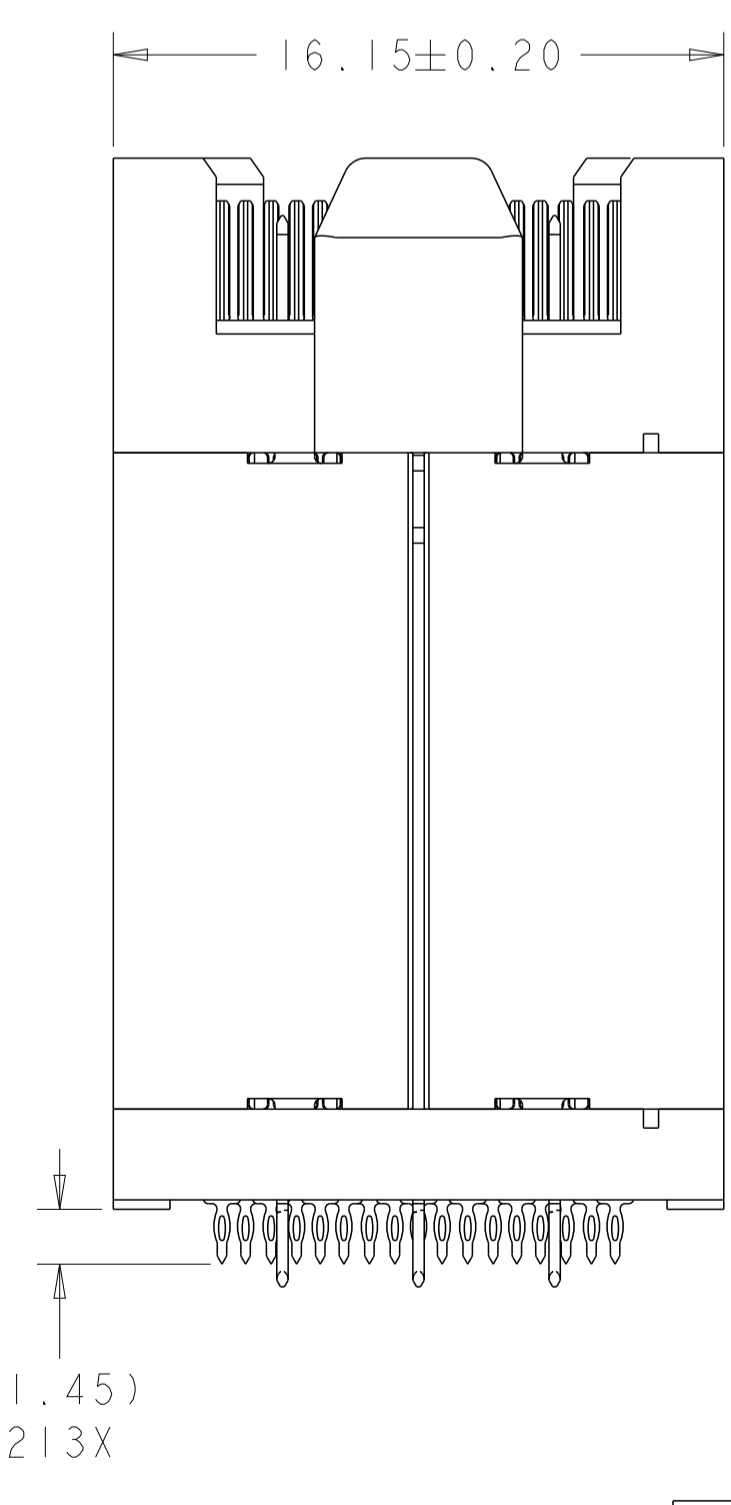
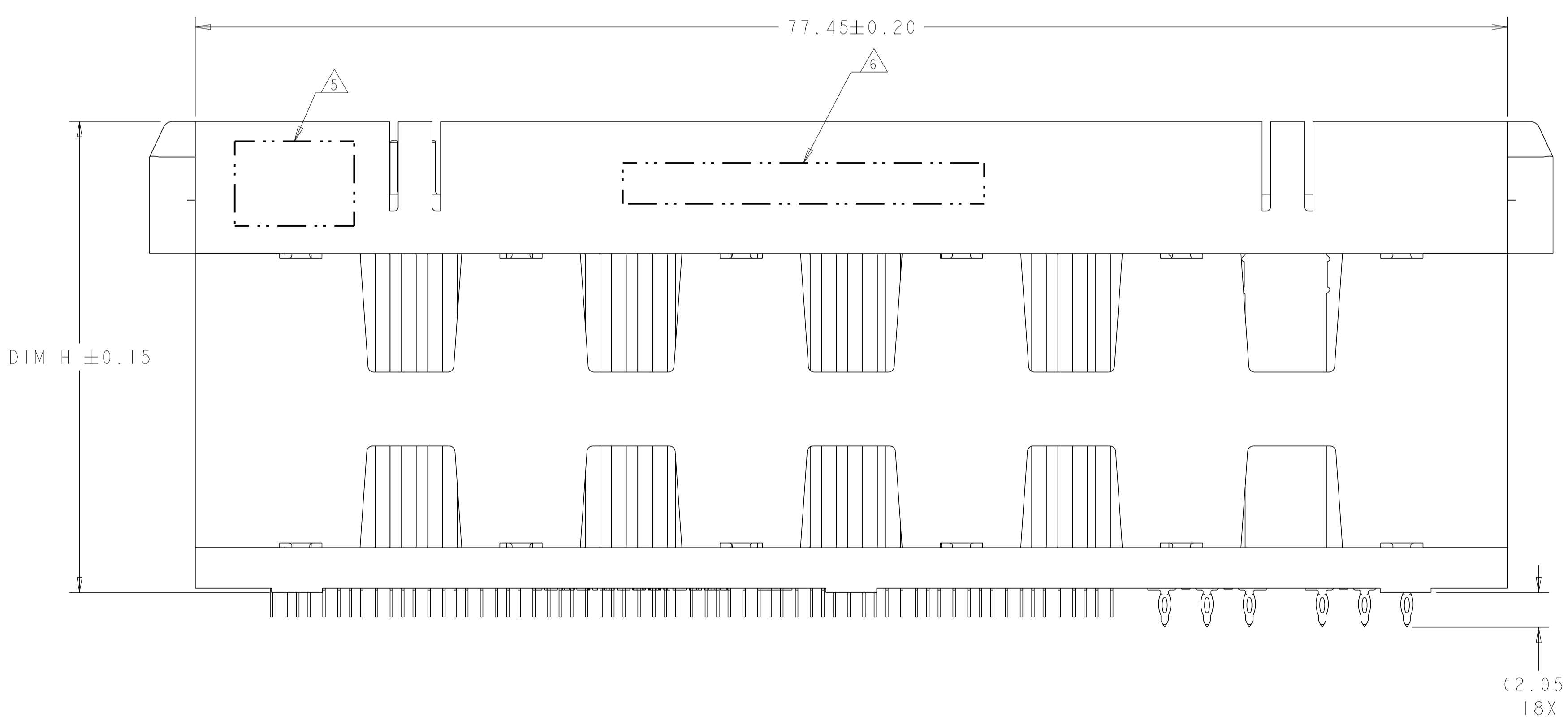
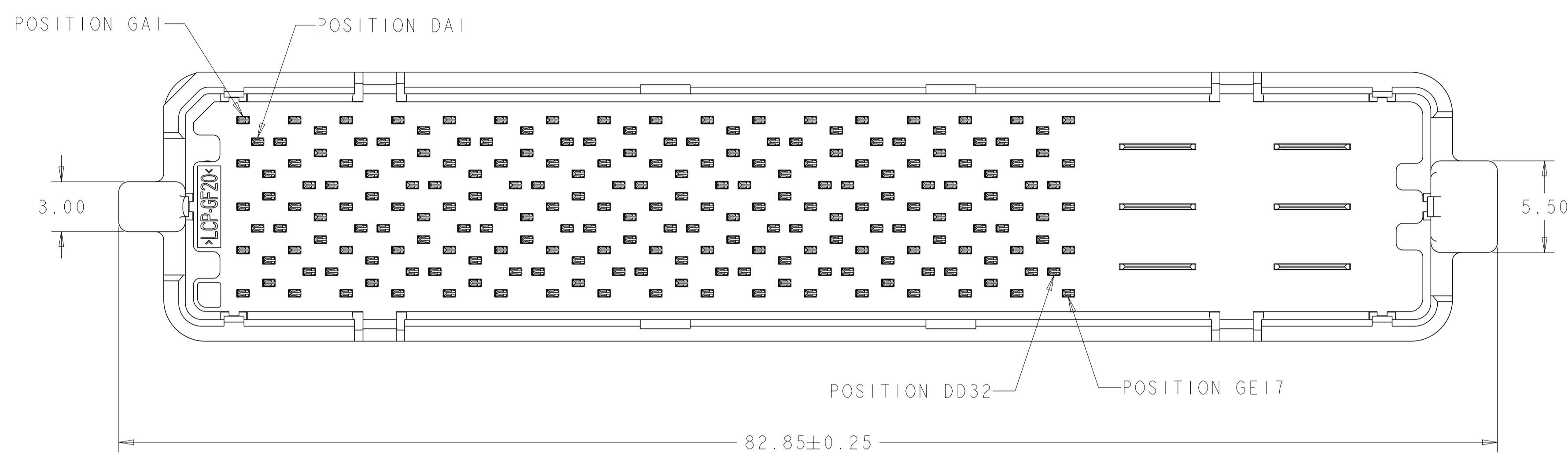


LOC		DIST		REVISIONS			
GP	00	P	LTN	DESCRIPTION	DATE	DWN	APVD
		A		REVISED PER ECO-12-018201	11OCT2012	KH	MH



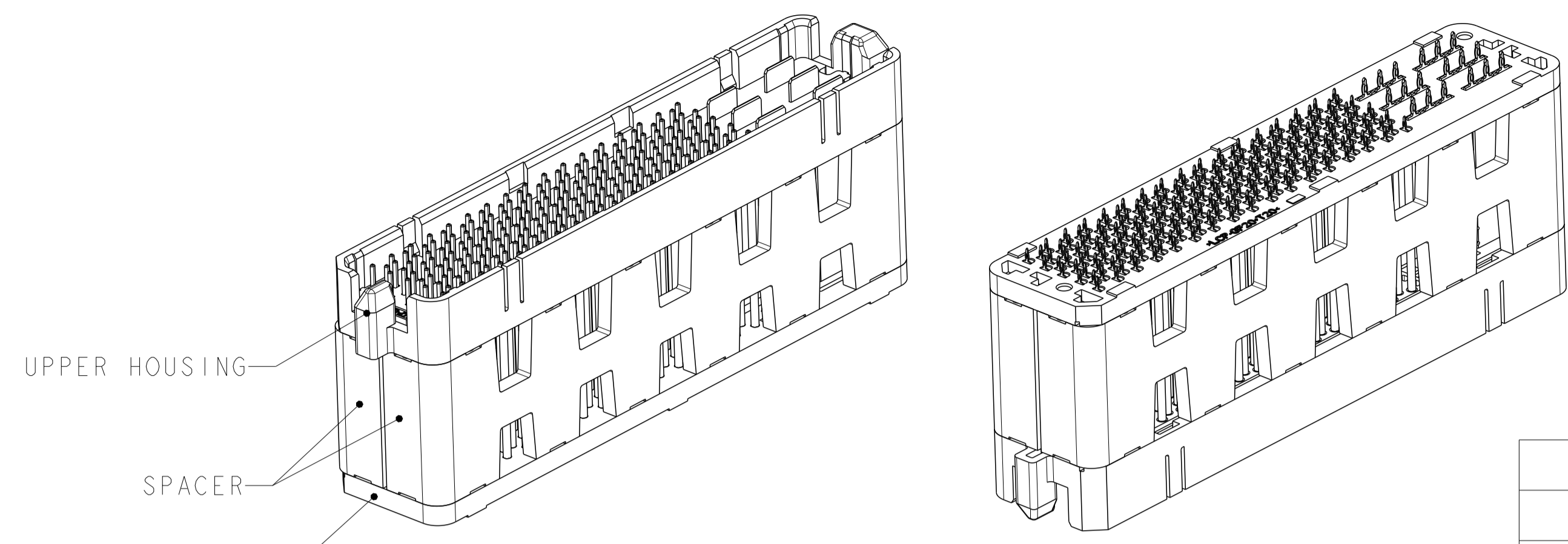
- △ MATERIAL:
 BASE HOUSING, UPPER HOUSING, ORGANIZER,
 AND SPACER: THERMOPLASTIC, FLAMMABILITY
 RATING UL94 V-0
 CONTACT: COPPER ALLOY
- 2. CONFORMS TO THE REQUIREMENTS OF TE PRODUCT
 SPECIFICATION, 108-2375; BASED ON TELCORDIA
 GR-1217-CORE FOR SYSTEM QUALITY LEVEL III,
 APPLICATIONS IN CONTROLLED ENVIRONMENTS
 (CENTRAL OFFICE).
 SEE TE PRODUCT SPECIFICATION 108-2375 FOR
 TEST SEQUENCES.
- △ 3. ROWS GA THRU GE (SHOWN DARKENED) ARE TYPICALLY
 USED AS GROUNDS.
- △ 4. SPECIFIED POSITIONAL TOLERANCE DEFINES HOLE TO
 HOLE LOCATION WITHIN HOLE PATTERN. POSITIONAL
 TOLERANCE OF HOLE PATTERN TO FIDUCIAL MARKS
 OR PCB DATUMS SHALL BE DEFINED BY CUSTOMER.
- △ 5. AREA RESERVED FOR TE CONNECTIVITY LOGO.
- △ 6. AREA RESERVED FOR PART NUMBER (X-XXXXXXX-X) AND
 DATE CODE (YYWW).
- △ 7. USE CENTER LINES INDICATED ON PCB HOLE PATTERN
 TO ESTABLISH ALIGNMENT BETWEEN HEADER AND
 RECEPTACLE BOARDS.
- △ 8. PLATED THROUGH HOLE REQUIREMENTS - SIGNAL:
 HOLE SIZE PRIOR TO PLATING = $\varnothing 0.420 \pm 0.013$
 COPPER PLATING THICKNESS = 0.038 ± 0.013
 CALCULATED FINISHED HOLE SIZE = $\varnothing 0.344 \pm 0.039$
 THESE DIMENSIONS APPLY TO THE TOP 1.25mm OF
 THE PCB THICKNESS FROM THE CONNECTOR MOUNTING
 SIDE.
- △ 9. PLATED THROUGH HOLE REQUIREMENTS - POWER:
 HOLE SIZE PRIOR TO PLATING = $\varnothing 0.700 \pm 0.025$
 COPPER PLATING THICKNESS = 0.038 ± 0.013
 CALCULATED FINISHED HOLE SIZE = $\varnothing 0.624 \pm 0.051$
 THESE DIMENSIONS APPLY TO THE TOP 1.50mm OF
 THE PCB THICKNESS FROM THE CONNECTOR MOUNTING
 SIDE.
- △ 10. CONTACT SALES FOR AVAILABILITY OF THIS STACK
 HEIGHT.

SIZE 3 HALF-WIDE W/GUIDE POSTS *
64 DIFFERENTIAL PAIRS + GROUNDS
213 TOTAL SIGNAL CONTACTS
6 POWER CONTACTS

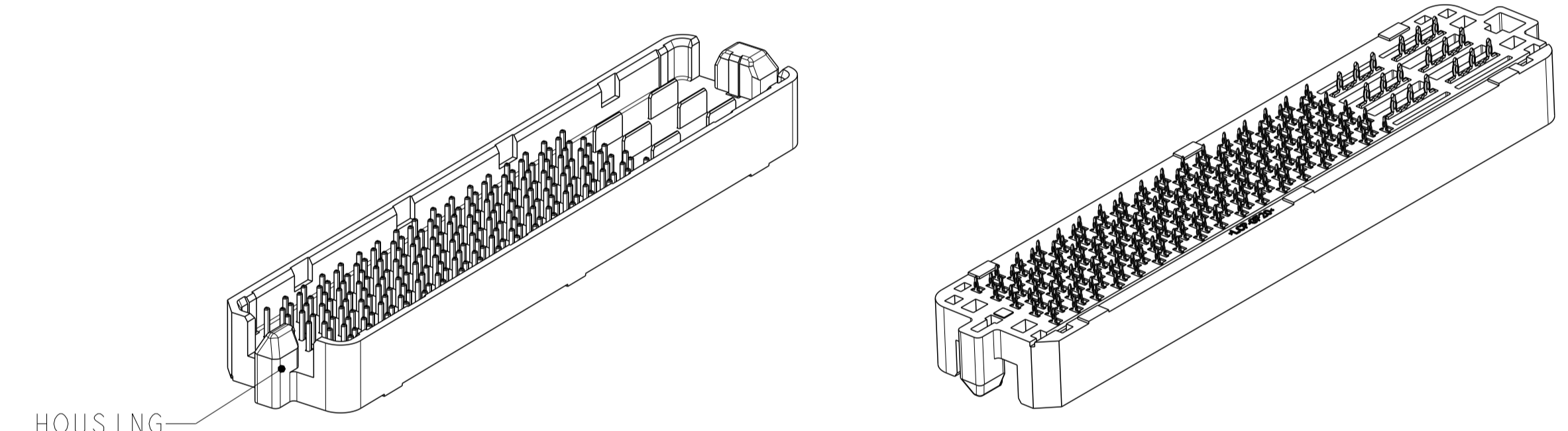
* SIZE 1 AND SIZE 2 ARE ALSO AVAILABLE

THIS DRAWING IS A CONTROLLED DOCUMENT.		DWN HAMNER 02DEC2010	TE Connectivity
DIMENSIONS:		CHK D. TROUT 02DEC2010	
TOLERANCES UNLESS OTHERWISE SPECIFIED:		APVD J. FEDDER 02DEC2010	NAME
mm	0 PLC ±	PRODUCT SPEC	HEADER ASSEMBLY,
	1 PLC ±0.13	APPLICATION SPEC	HALF-WIDE, 64/213/6P
	3 PLC ±0.013	SIZE CAGE CODE DRAWING NO	STRADA MESA MEZZANINE CONNECTOR
	4 PLC ±	RESTRICTED TO	
	ANGLES ±	SCALE 5:1 SHEET 1 OF 4 REV A	
MATERIAL	FINISH	WEIGHT	
		CUSTOMER DRAWING	

LOC	DIST	REVISIONS					
GP	00	P	LYN	DESCRIPTION	DATE	OWN	APVD
		-		SEE SHEET 1			



ISOMETRIC VIEWS
 TYPICAL CONFIGURATION FOR 14mm THRU 42mm
 28mm SHOWN
 SCALE 2:1



ISOMETRIC VIEWS
 TYPICAL CONFIGURATION FOR 8mm THRU 13mm
 8mm SHOWN
 SCALE 2:1

TOOLED	DIM H	STACK HEIGHT	CONTACT TAIL PLATING	PART NUMBER
△10	41.8	42mm	MATTE Sn	9-2143540-2
△10	40.8	41mm	MATTE Sn	9-2143540-1
△10	39.8	40mm	MATTE Sn	9-2143540-0
△10	38.8	39mm	MATTE Sn	8-2143540-9
△10	37.8	38mm	MATTE Sn	8-2143540-8
△10	36.8	37mm	MATTE Sn	8-2143540-7
△10	35.8	36mm	MATTE Sn	8-2143540-6
YES	34.8	35mm	MATTE Sn	8-2143540-5
△10	33.8	34mm	MATTE Sn	8-2143540-4
△10	32.8	33mm	MATTE Sn	8-2143540-3
△10	31.8	32mm	MATTE Sn	8-2143540-2
△10	30.8	31mm	MATTE Sn	8-2143540-1
△10	29.8	30mm	MATTE Sn	8-2143540-0
△10	28.8	29mm	MATTE Sn	7-2143540-9
YES	27.8	28mm	MATTE Sn	7-2143540-8
△10	26.8	27mm	MATTE Sn	7-2143540-7
△10	25.8	26mm	MATTE Sn	7-2143540-6
YES	24.8	25mm	MATTE Sn	7-2143540-5
△10	23.8	24mm	MATTE Sn	7-2143540-4
△10	22.8	23mm	MATTE Sn	7-2143540-3
△10	21.8	22mm	MATTE Sn	7-2143540-2
△10	20.8	21mm	MATTE Sn	7-2143540-1
△10	19.8	20mm	MATTE Sn	7-2143540-0
△10	18.8	19mm	MATTE Sn	6-2143540-9
△10	17.8	18mm	MATTE Sn	6-2143540-8
△10	16.8	17mm	MATTE Sn	6-2143540-7
△10	15.8	16mm	MATTE Sn	6-2143540-6
△10	14.8	15mm	MATTE Sn	6-2143540-5
△10	13.8	14mm	MATTE Sn	6-2143540-4
△10	12.8	13mm	MATTE Sn	6-2143540-3
△10	11.8	12mm	MATTE Sn	6-2143540-2
△10	10.8	11mm	MATTE Sn	6-2143540-1
△10	9.8	10mm	MATTE Sn	6-2143540-0
△10	8.8	9mm	MATTE Sn	5-2143540-9
△10	7.8	8mm	MATTE Sn	5-2143540-8

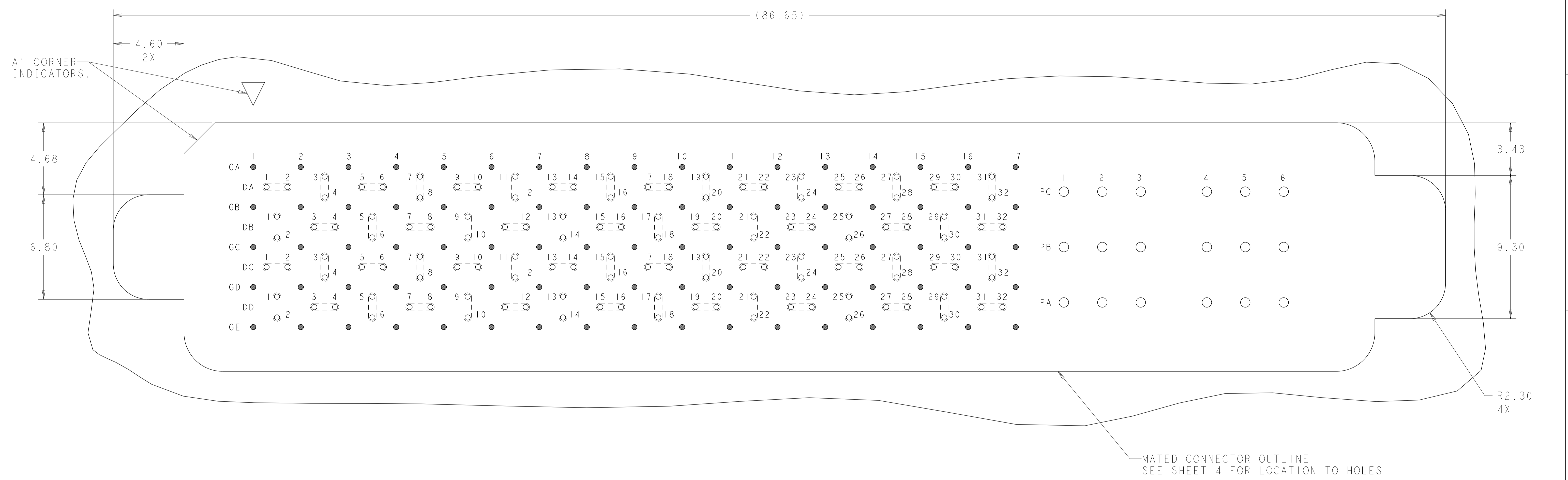
TOOLED	DIM H	STACK HEIGHT	CONTACT TAIL PLATING	PART NUMBER
△10	41.8	42mm	Sn/Pb	4-2143540-2
△10	40.8	41mm	Sn/Pb	4-2143540-1
△10	39.8	40mm	Sn/Pb	4-2143540-0
△10	38.8	39mm	Sn/Pb	3-2143540-9
△10	37.8	38mm	Sn/Pb	3-2143540-8
△10	36.8	37mm	Sn/Pb	3-2143540-7
△10	35.8	36mm	Sn/Pb	3-2143540-6
YES	34.8	35mm	Sn/Pb	3-2143540-5
△10	33.8	34mm	Sn/Pb	3-2143540-4
△10	32.8	33mm	Sn/Pb	3-2143540-3
△10	31.8	32mm	Sn/Pb	3-2143540-2
△10	30.8	31mm	Sn/Pb	3-2143540-1
△10	29.8	30mm	Sn/Pb	3-2143540-0
△10	28.8	29mm	Sn/Pb	2-2143540-9
YES	27.8	28mm	Sn/Pb	2-2143540-8
△10	26.8	27mm	Sn/Pb	2-2143540-7
△10	25.8	26mm	Sn/Pb	2-2143540-6
YES	24.8	25mm	Sn/Pb	2-2143540-5
△10	23.8	24mm	Sn/Pb	2-2143540-4
△10	22.8	23mm	Sn/Pb	2-2143540-3
△10	21.8	22mm	Sn/Pb	2-2143540-2
△10	20.8	21mm	Sn/Pb	2-2143540-1
△10	19.8	20mm	Sn/Pb	2-2143540-0
△10	18.8	19mm	Sn/Pb	1-2143540-9
△10	17.8	18mm	Sn/Pb	1-2143540-8
△10	16.8	17mm	Sn/Pb	1-2143540-7
△10	15.8	16mm	Sn/Pb	1-2143540-6
△10	14.8	15mm	Sn/Pb	1-2143540-5
△10	13.8	14mm	Sn/Pb	1-2143540-4
△10	12.8	13mm	Sn/Pb	1-2143540-3
△10	11.8	12mm	Sn/Pb	1-2143540-2
△10	10.8	11mm	Sn/Pb	1-2143540-1
△10	9.8	10mm	Sn/Pb	1-2143540-0
△10	8.8	9mm	Sn/Pb	2143540-9
△10	7.8	8mm	Sn/Pb	2143540-8

THIS DRAWING IS A CONTROLLED DOCUMENT.


DIMENSIONS:	TOLERANCES UNLESS OTHERWISE SPECIFIED:	OWN: HAMNER 02DEC2010	TE Connectivity NAME: HEADER ASSEMBLY, HALF-WIDE, 64/213/6P PRODUCT SPEC: STRADA MESA MEZZANINE CONNECTOR
mm	0 PLC ±.010	CHK: D. TROUT 02DEC2010	
	1 PLC ±.013	APVD: J. FEDDER 02DEC2010	
	2 PLC ±.015		
	3 PLC ±.018		SIZE: A1
	4 PLC ±.020		CAGE CODE: 2143540
	ANGLES ±.1		DRAWING NO: 114-13249
MATERIAL:	FINISH:	WEIGHT:	RESTRICTED TO: A
			CUSTOMER DRAWING

SCALE 5:1 SHEET 2 OF 4 REV A

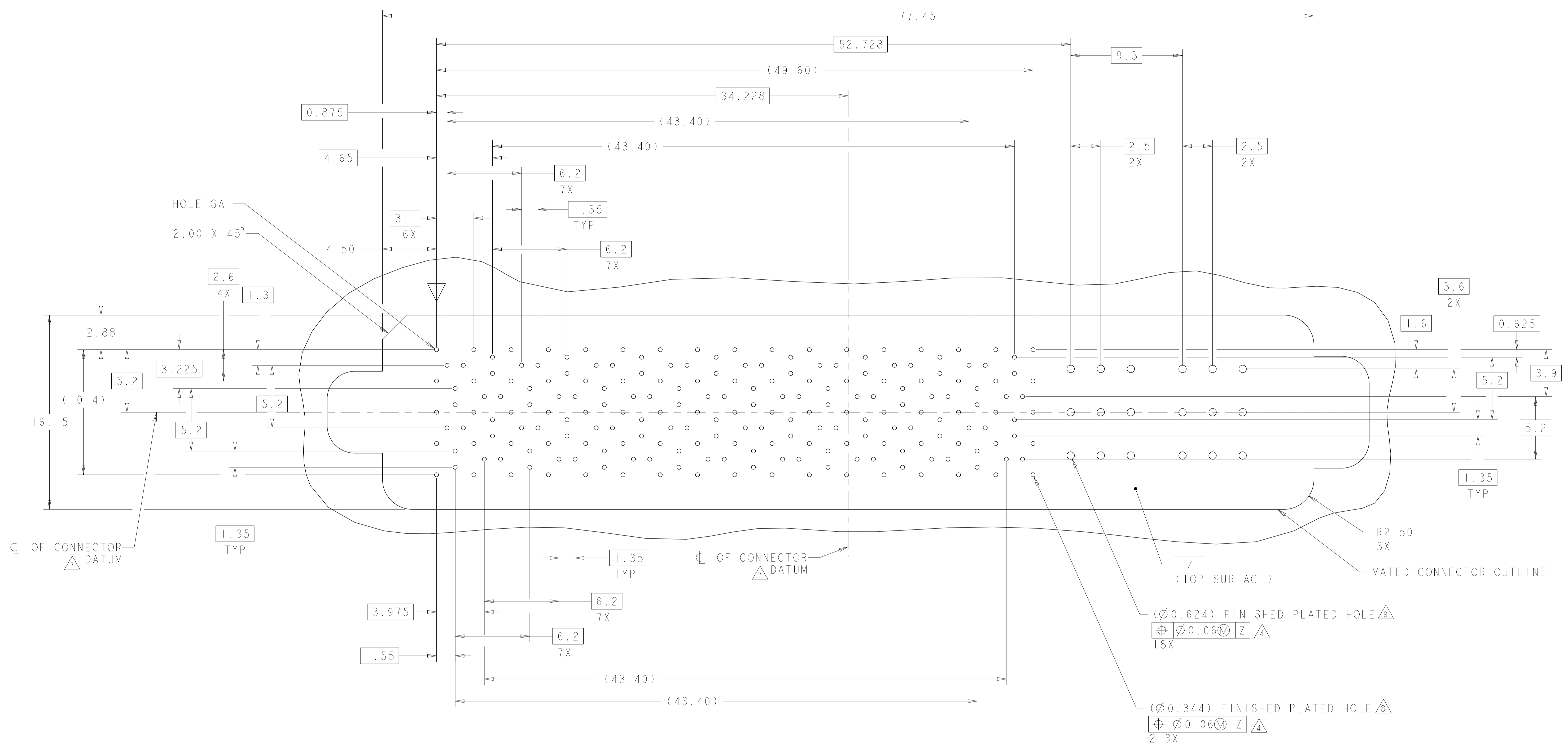
LOC	DIST	REVISIONS			
P	LYR	DESCRIPTION	DATE	OWN	APVD
-	-	SEE SHEET 1	-	-	-



PCB LAYOUT AND PIN IDENTIFICATION 
 SHOWN FROM CONNECTOR SIDE
 SCALE 8:1

THIS DRAWING IS A CONTROLLED DOCUMENT.		OWN HAMNER 02DEC2010	 TE Connectivity
DIMENSIONS: mm		CHK D. TROUT 02DEC2010	
TOLERANCES UNLESS OTHERWISE SPECIFIED:		APVD J. FEDDER 02DEC2010	NAME
0 PLC ±		PRODUCT SPEC	HEADER ASSEMBLY,
2 PLC ±0.13		APPLICATION SPEC	HALF-WIDE, 64/213/6P
3 PLC ±0.013		SIZE CAGE CODE DRAWING NO	STRADA MESA MEZZANINE CONNECTOR
4 PLC ±		RESTRICTED TO	
ANGLES ±1		WEIGHT	A100779C=2143540
FINISH		CUSTOMER DRAWING	SCALE 5:1 SHEET 3 OF 4 REV A

LOC	DIST	REVISIONS			
P	LYR	DESCRIPTION	DATE	DWN	APVD
-	-	SEE SHEET 1	-	-	-



PCB HOLE PATTERN
 SHOWN FROM CONNECTOR SIDE
 SCALE 6:1

THIS DRAWING IS A CONTROLLED DOCUMENT.		DWN HAMNER 02DEC2010	TE Connectivity
DIMENSIONS: mm		CHK D. TROUT 02DEC2010	
TOLERANCES UNLESS OTHERWISE SPECIFIED: 0 PLC ± 1 PLC ±0.13 2 PLC ±0.13 3 PLC ±0.013 4 PLC ± ANGLES ±1 FINISH		APVD J. FEDDER 02DEC2010	NAME
MATERIAL		PRODUCT SPEC 108-2375	HEADER ASSEMBLY, HALF-WIDE, 64/213/6P
		APPLICATION SPEC 114-13249	STRADA MESA MEZZANINE CONNECTOR
		SIZE 114-13249	RESTRICTED TO
		WEIGHT	A100779C=2143540
		CUSTOMER DRAWING	SCALE 5:1 SHEET 4 OF 4 REV A