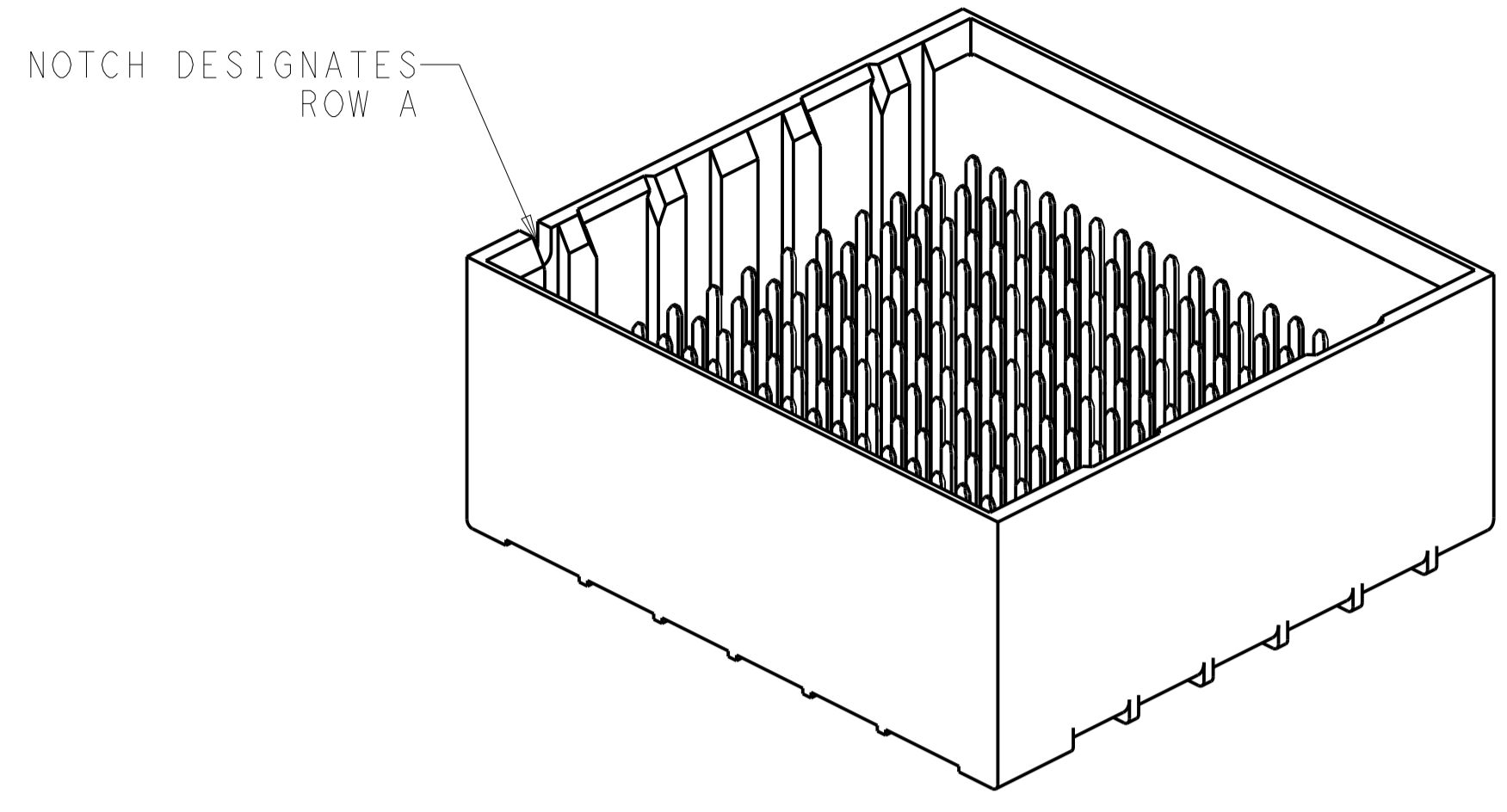
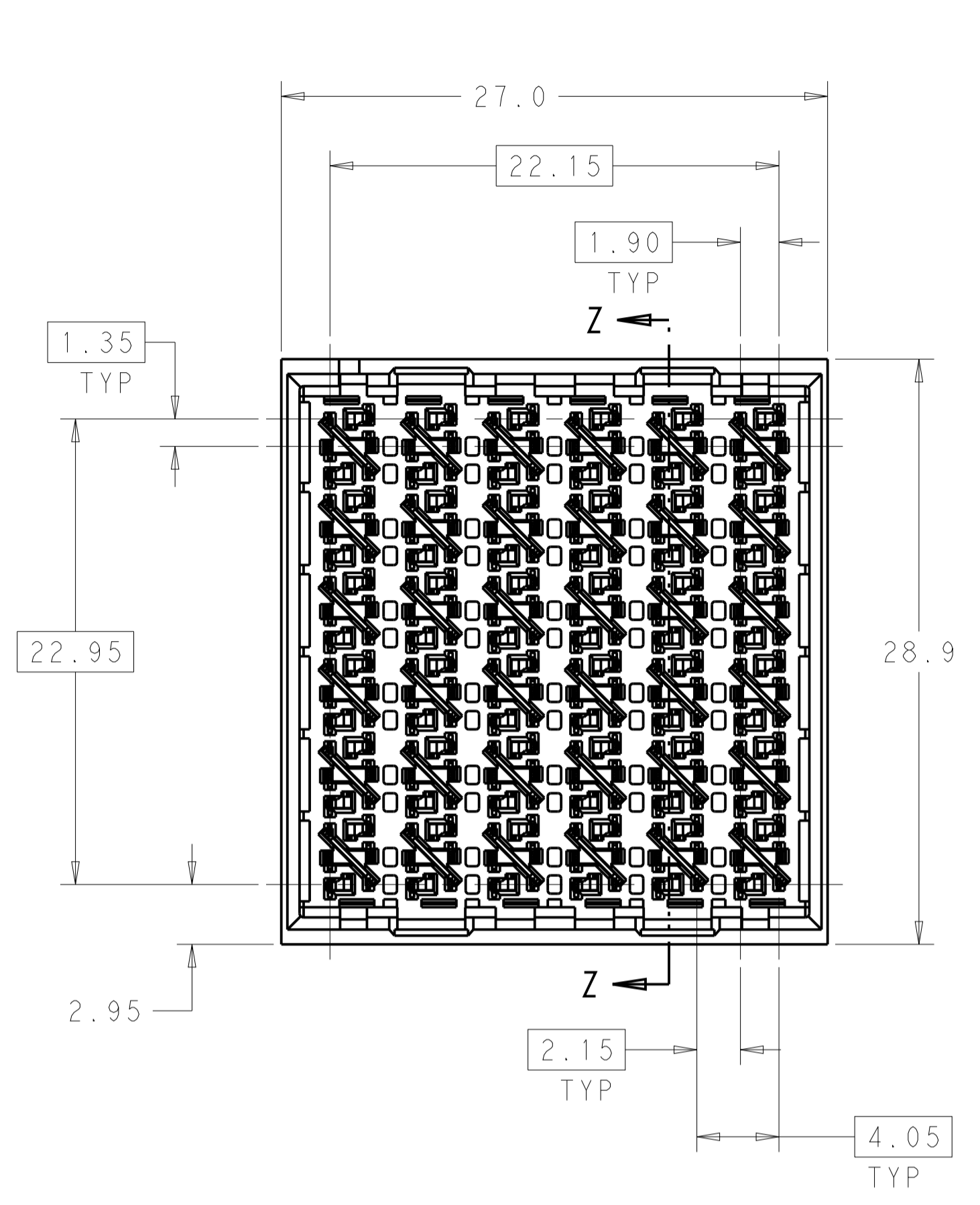
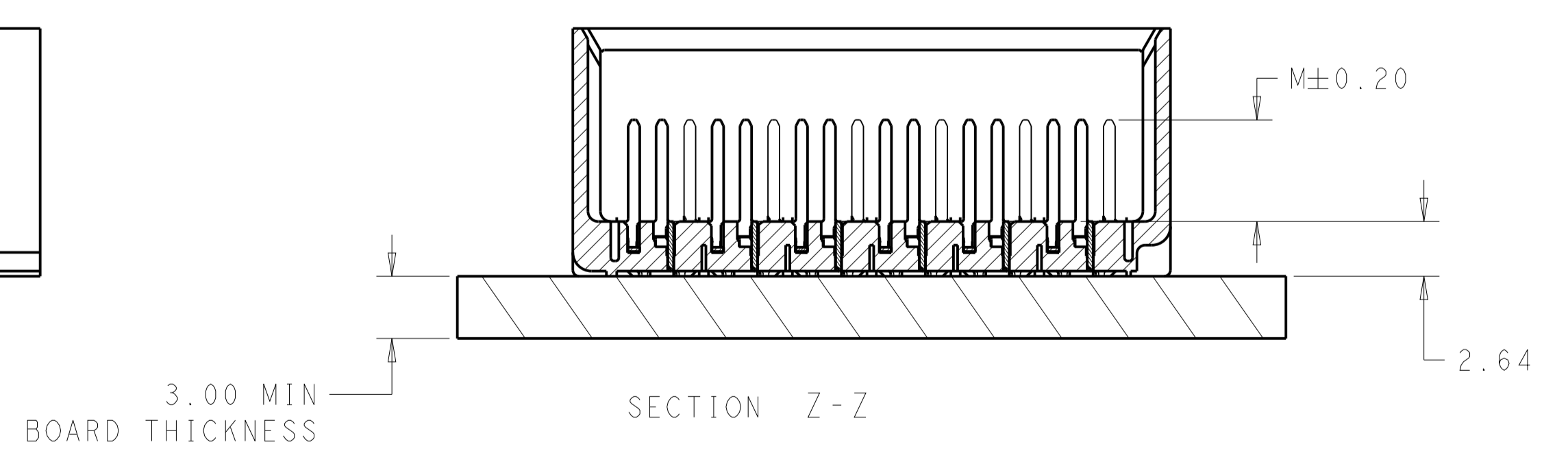
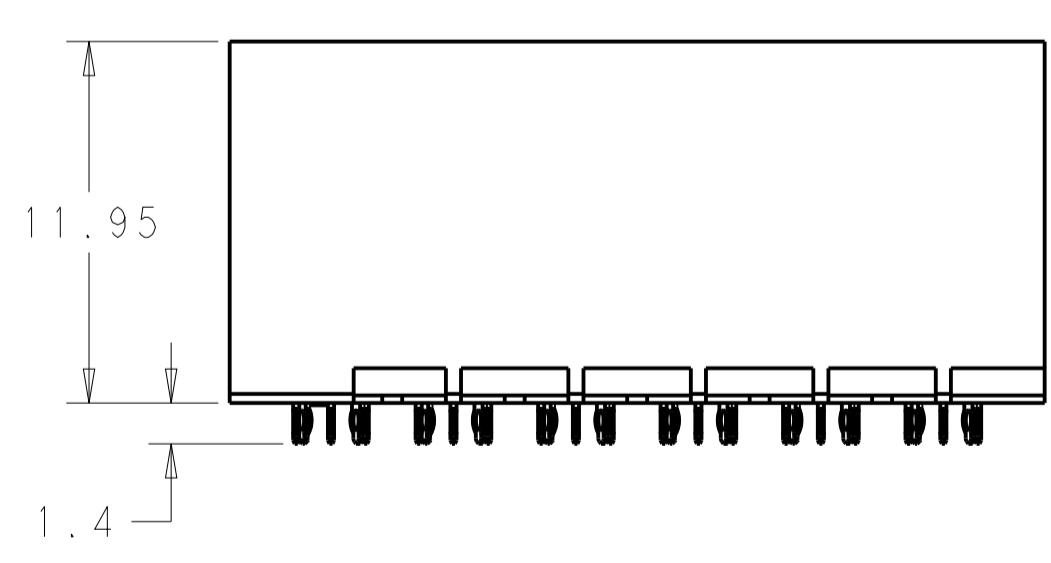
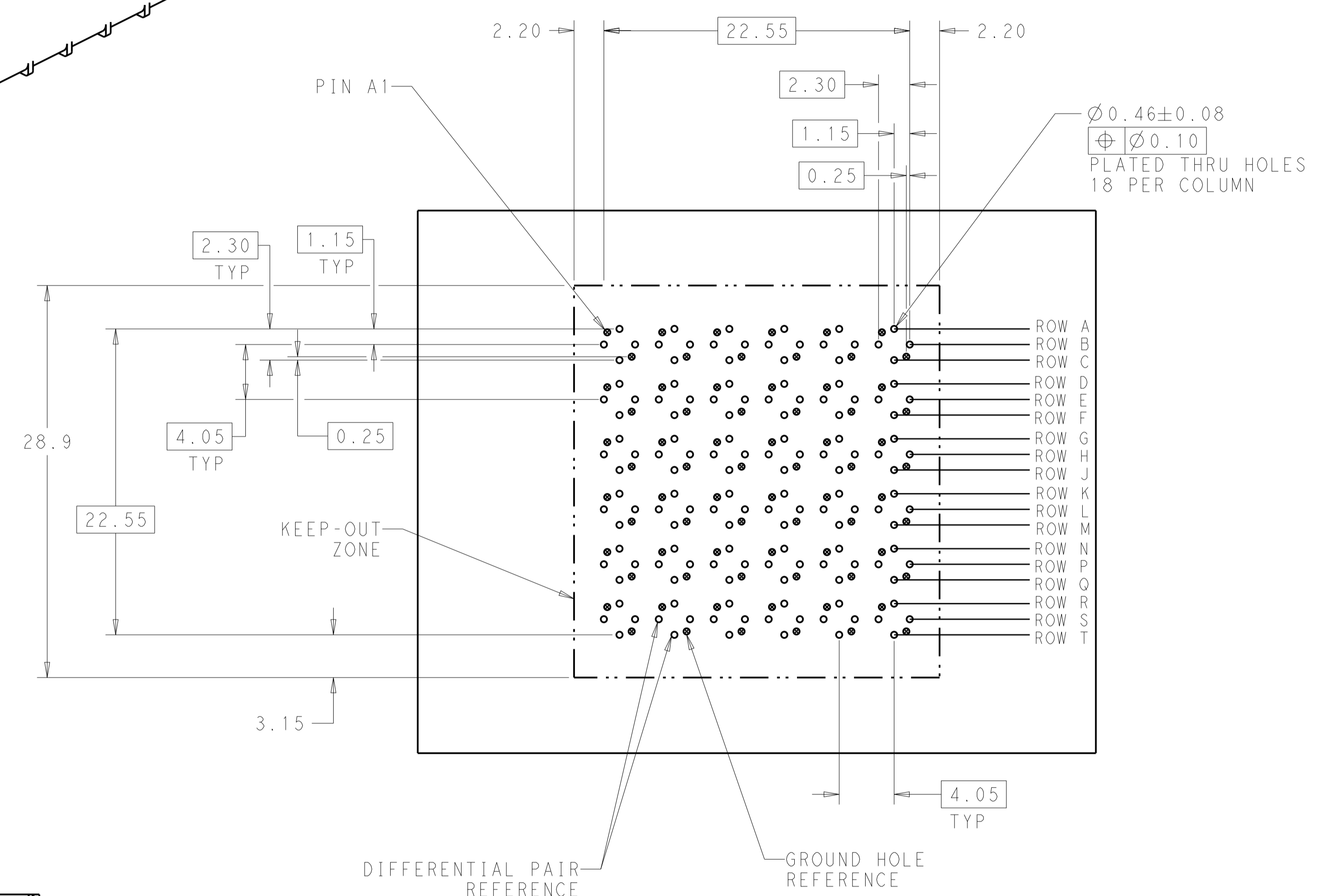


REVISIONS				
P.	LTN	DESCRIPTION	DATE	APVD
C		REVISED PER ECO-14-013273	04NOV2014	AP DD



1 MATERIAL:  
 HOUSING: LCP GLASS FILLED UL94V-0  
 TERMINALS: HIGH PERFORMANCE COPPER ALLOY

2 FINISH:  
 30μ" MIN GOLD IN CONTACT AREA  
 SELECTIVE TIN ON PCB TAILS.  
 NICKEL OVERALL.



LEFT GUIDED  
 BACKPLANE HOLE PATTERN  
 (CONNECTOR SIDE)  
 SCALE 4:1

2	5.5	2143279-2
2	4.9	2143279-1
FINISH	DIM M	PART NUMBER

THIS DRAWING IS A CONTROLLED DOCUMENT.		OWN J. K. SHOBER 28DEC2010	TE Connectivity IMPACT, 6 PAIR, 12 COLUMN, UNGUIDED DUAL END WALL ASSEMBLY, ORTHOGONAL, 0.46 PTH
DIMENSIONS:		CHK J. EARY 28DEC2010	
TOLERANCES UNLESS OTHERWISE SPECIFIED:		APVD J. EARY 28DEC2010	
mm		NAME	
0 PLC	±	PRODUCT SPEC	SIZE CAGE CODE DRAWING NO RESTRICTED TO A100779C=2143279
1 PLC	±0.25	APPLICATION SPEC	
2 PLC	±0.13	WEIGHT	SCALE 4:1 SHEET 1 OF 1 REV C
3 PLC	±	CUSTOMER DRAWING	
4 PLC	±		
ANGLES	±0		
MATERIAL	SEE TABLE		