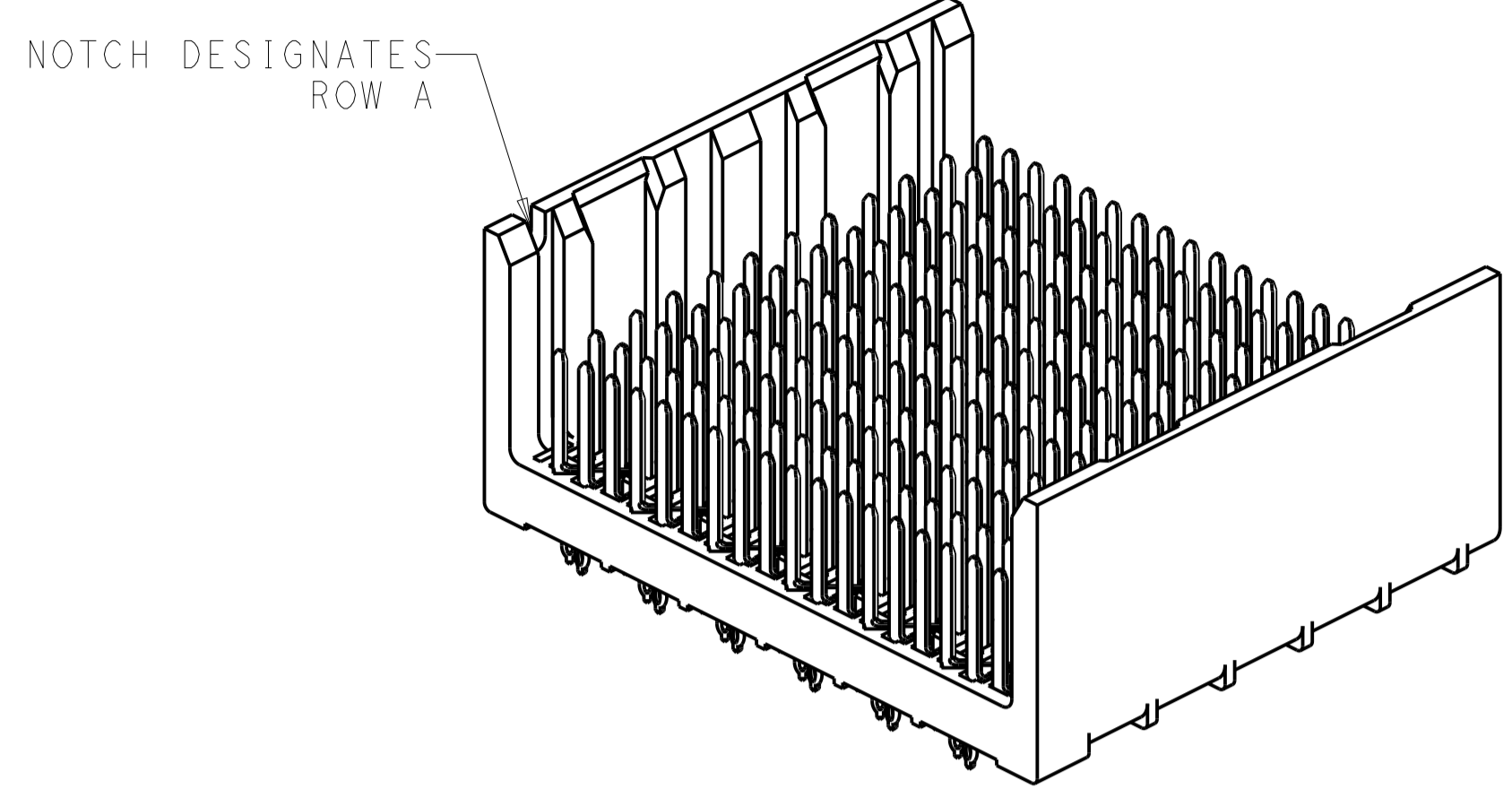
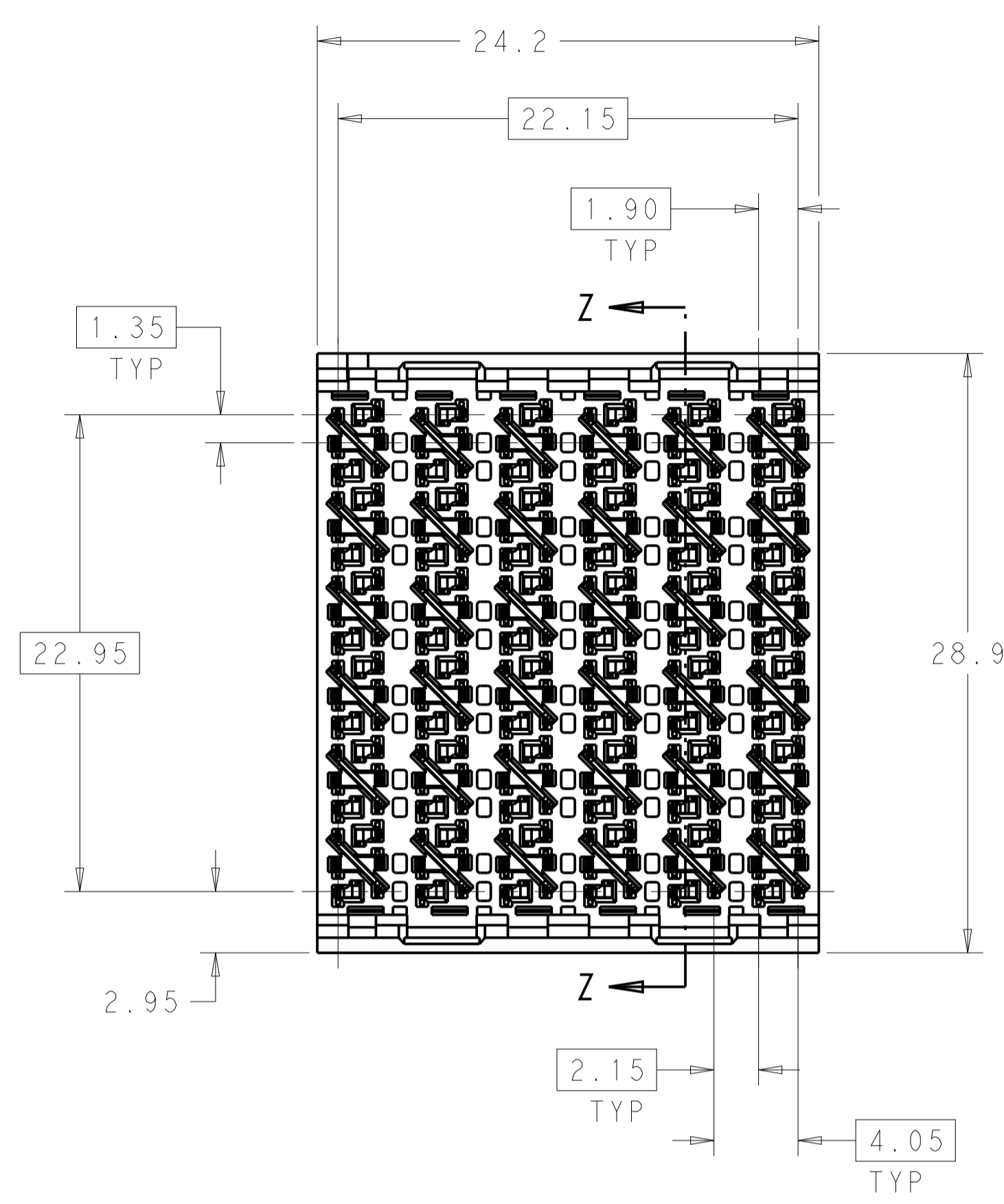
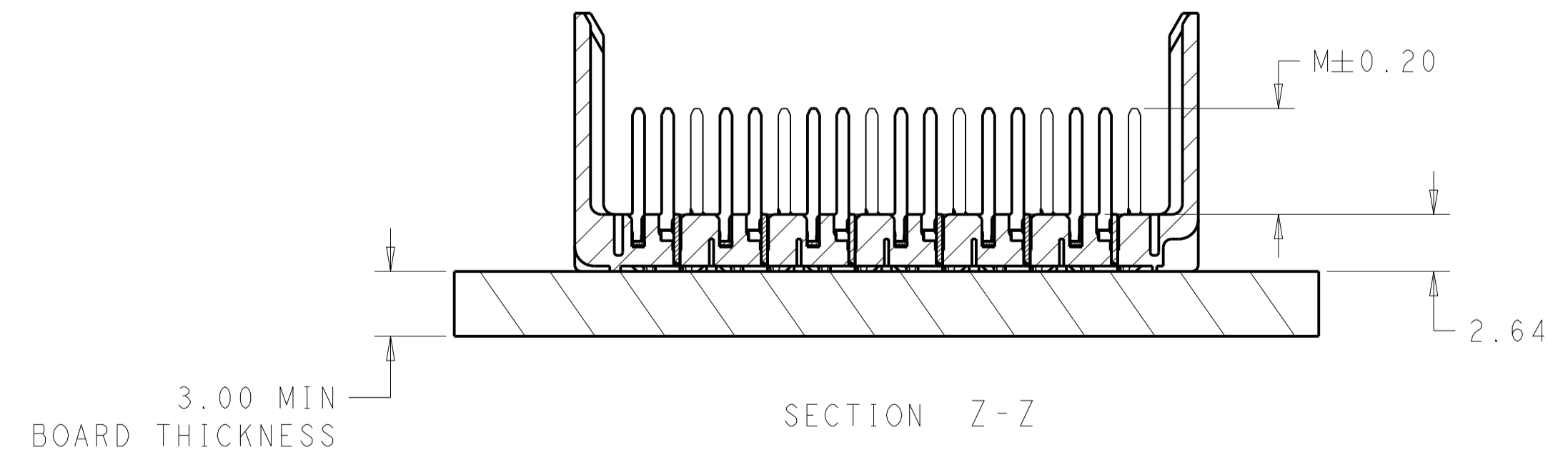
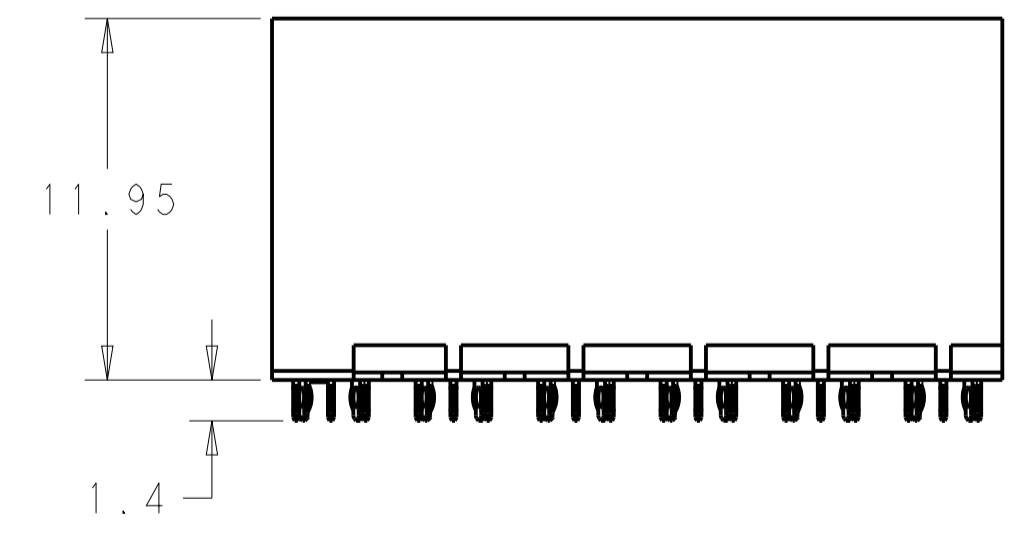
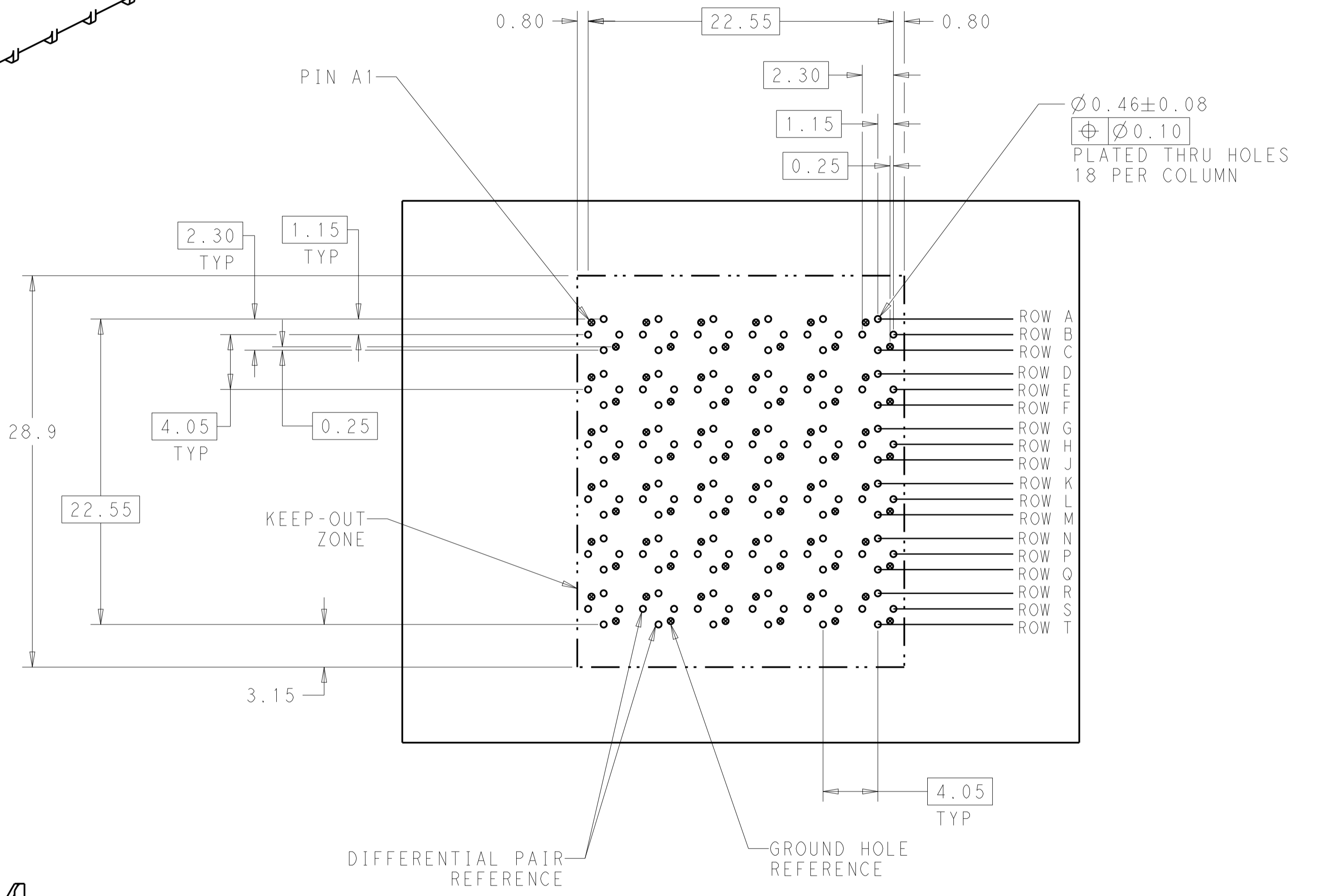


REVISIONS				
P.	LTN	DESCRIPTION	DATE	APVD
C		REVISED PER ECO-14-013273	04NOV2014	AP DD



- 1 MATERIAL:
HOUSING: LCP GLASS FILLED UL94V-0
TERMINALS: HIGH PERFORMANCE COPPER ALLOY
- 2 FINISH:
30μ" MIN GOLD IN CONTACT AREA
SELECTIVE TIN ON PCB TAILS.
NICKEL OVERALL.



LEFT GUIDED
BACKPLANE HOLE PATTERN
(CONNECTOR SIDE)
SCALE 4:1

2	5.5	2143277-2
2	4.9	2143277-1
FINISH	DIM M	PART NUMBER

THIS DRAWING IS A CONTROLLED DOCUMENT.		OWN J. K. SHOBER 27DEC2010	TE Connectivity IMPACT, 6 PAIR, 12 COLUMN, UNGUIDED OPEN END WALL ASSEMBLY, ORTHOGONAL, 0.46 PTH
DIMENSIONS:		CHK J. EARY 27DEC2010	
TOLERANCES UNLESS OTHERWISE SPECIFIED:		APVD J. EARY 27DEC2010	
0 PLC ± 1 PLC ±0.25 2 PLC ±0.13 3 PLC ± 4 PLC ± ANGLES ±0		NAME	
MATERIAL	SEE TABLE	WEIGHT	SIZE CAGE CODE DRAWING NO. RESTRICTED TO
FINISH		Customer Drawing	A100779C=2143277
SCALE 4:1		SHEET 1 OF 1	REV C