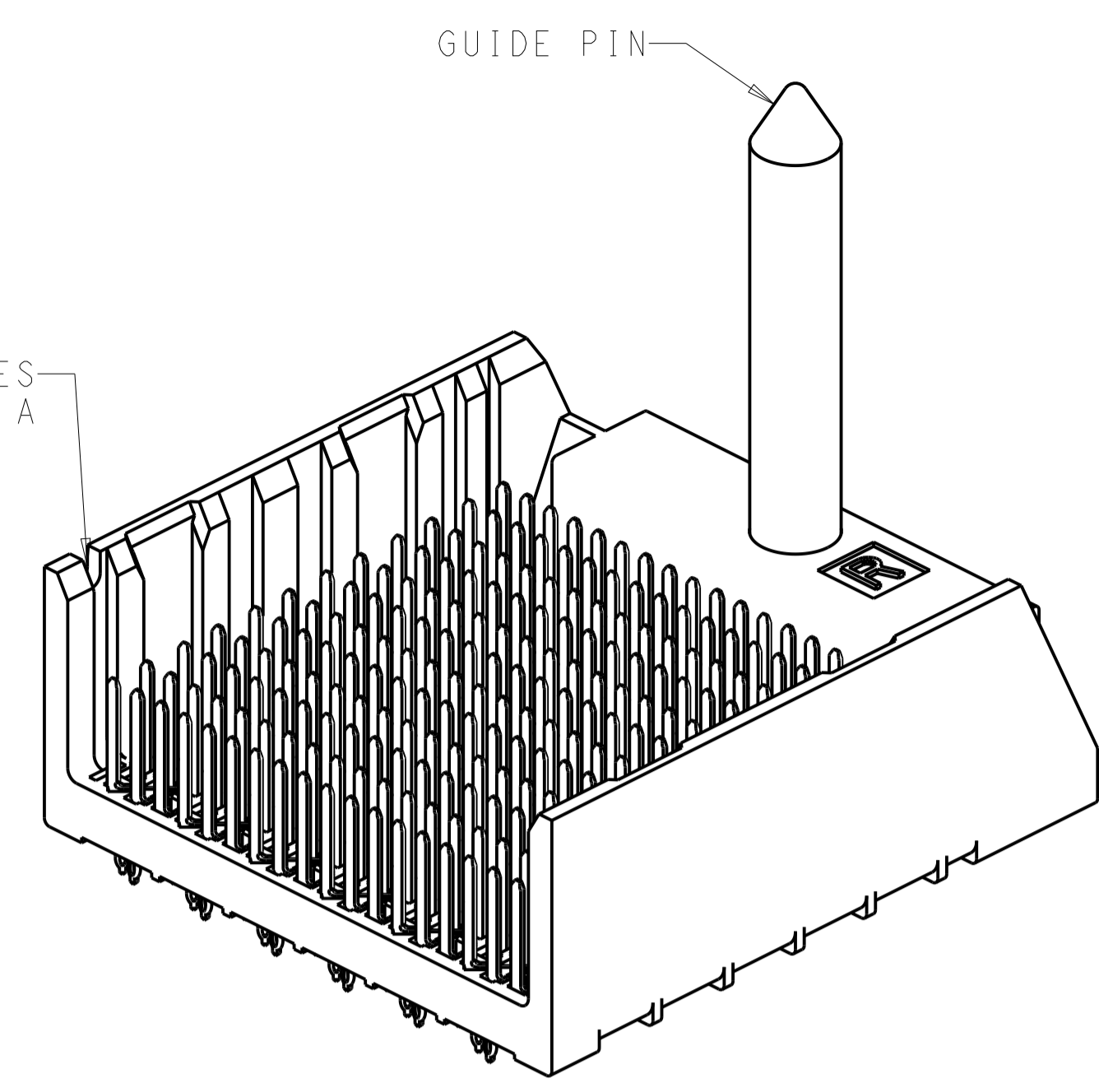
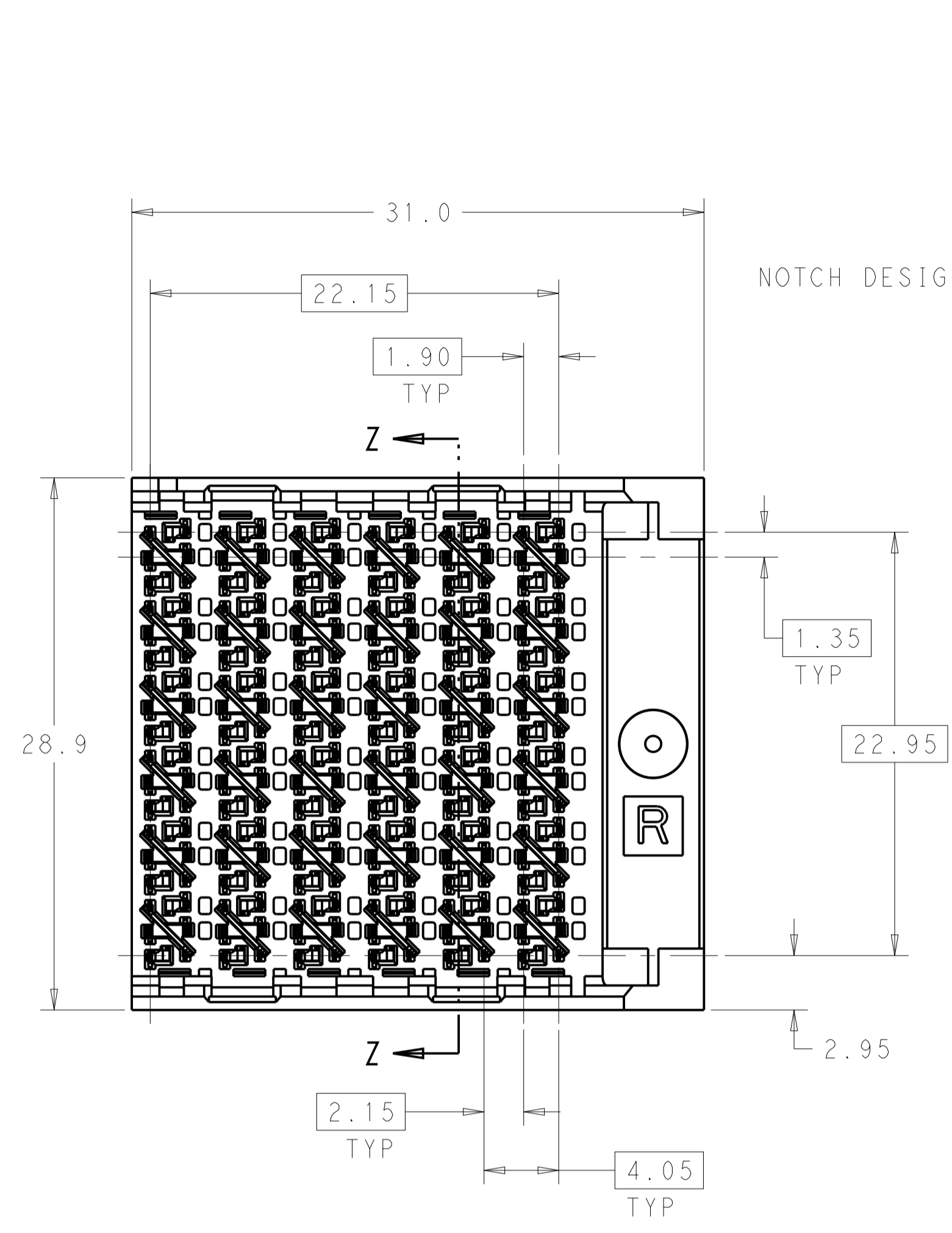
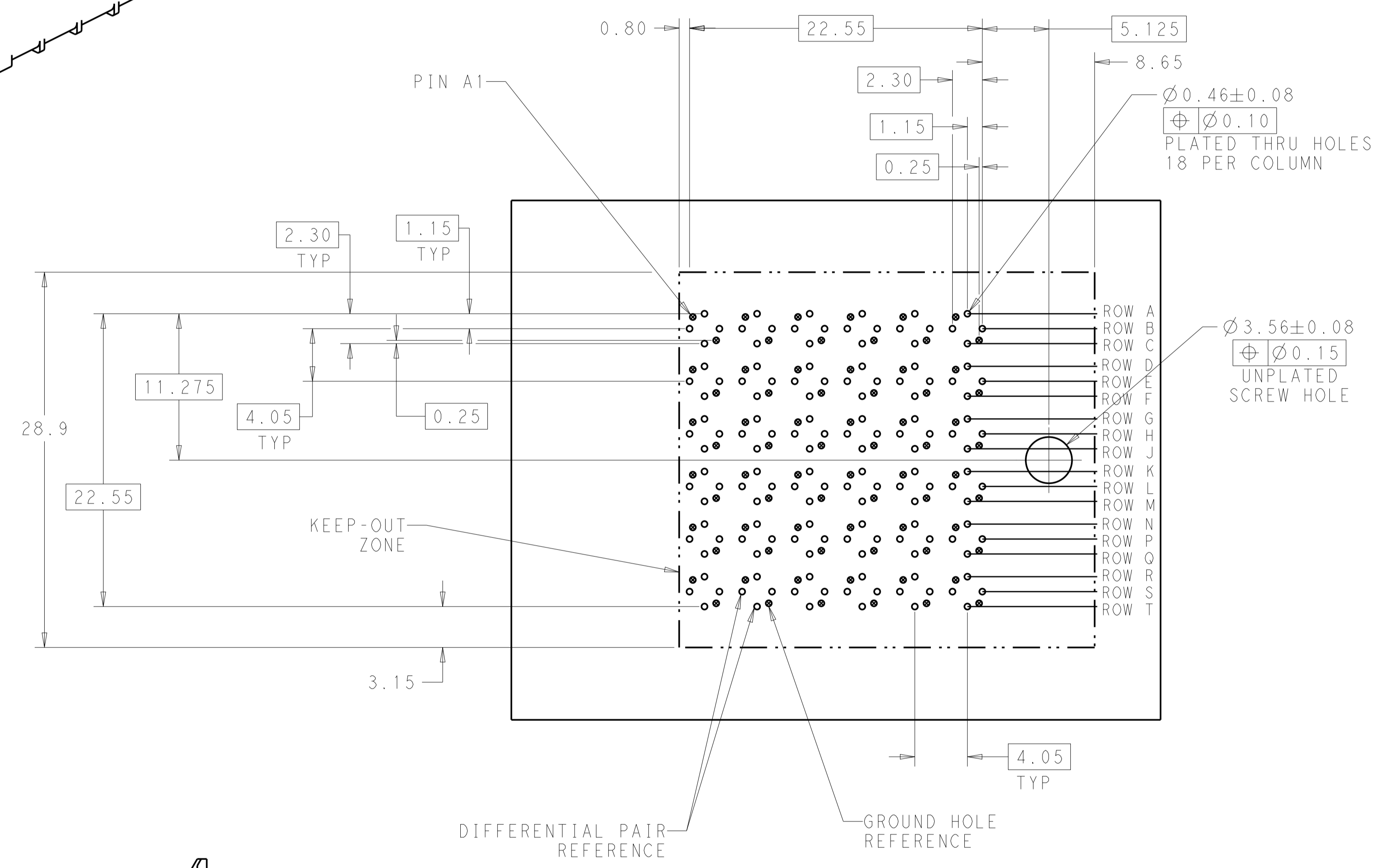


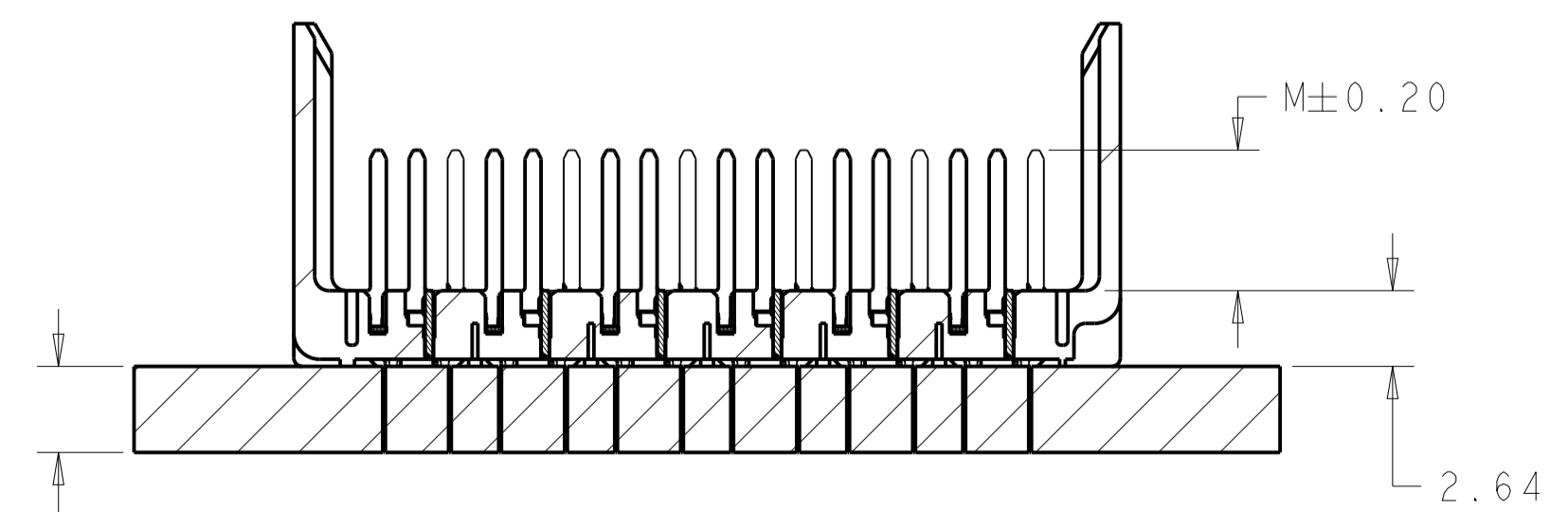
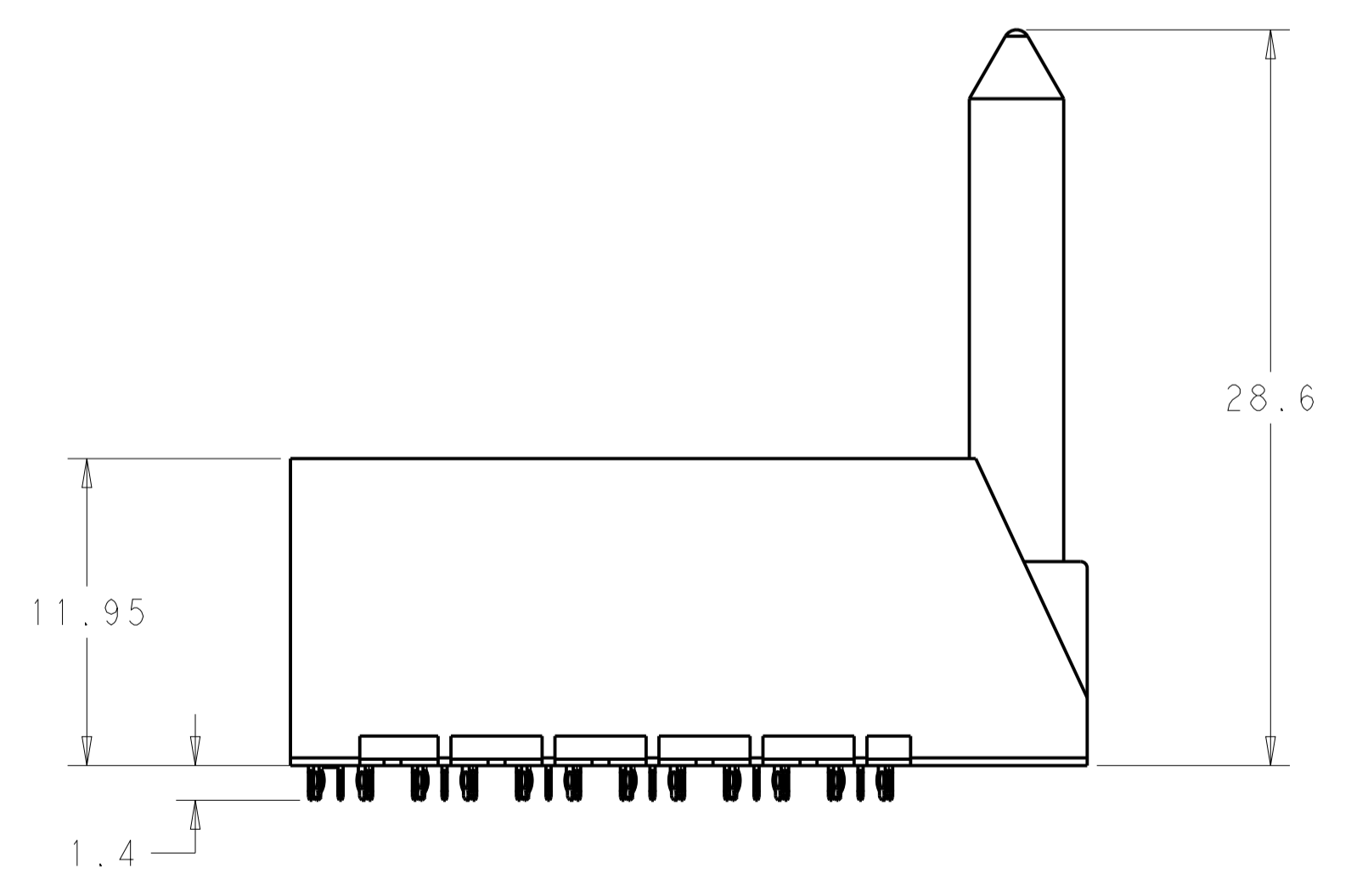
REVISIONS				
P.	LTN.	DESCRIPTION	DATE	APVD.
C		REVISED PER ECO-14-013273	04NOV2014	AP DD



- ⚠ MATERIAL:
HOUSING: LCP GLASS FILLED UL94V-0
TERMINALS: HIGH PERFORMANCE COPPER ALLOY
- ⚠ FINISH:
30μ" MIN GOLD IN CONTACT AREA
SELECTIVE TIN ON PCB TAILS.
NICKEL OVERALL.
- 3. SCREWS PACKAGED IN END OF PACKAGING TUBE



LEFT GUIDED
BACKPLANE HOLE PATTERN
(CONNECTOR SIDE)
SCALE 4:1



3.00 MIN
BOARD THICKNESS

2	5.5	2143275-2
2	4.9	2143275-1
FINISH	DIM M	PART NUMBER

THIS DRAWING IS A CONTROLLED DOCUMENT.		OWN J. K. SHOBER 28DEC2010	TE Connectivity NAME IMPACT, 6 PAIR, 12 COLUMN, RIGHT GUIDED OPEN END WALL ASSEMBLY, ORTHOGONAL, 0.46 PTH SIZE CAGE CODE DRAWING NO RESTRICTED TO A100779C=2143275 SCALE 4:1 SHEET 1 OF 1 REV C
DIMENSIONS: mm		CHK J. EARY 28DEC2010	
TOLERANCES UNLESS OTHERWISE SPECIFIED:		APVD J. EARY 28DEC2010	
0 PLC ± 1 PLC ±0.25 2 PLC ±0.13 3 PLC ± 4 PLC ± ANGLES ±0		PRODUCT SPEC - APPLICATION SPEC - WEIGHT - CUSTOMER DRAWING	