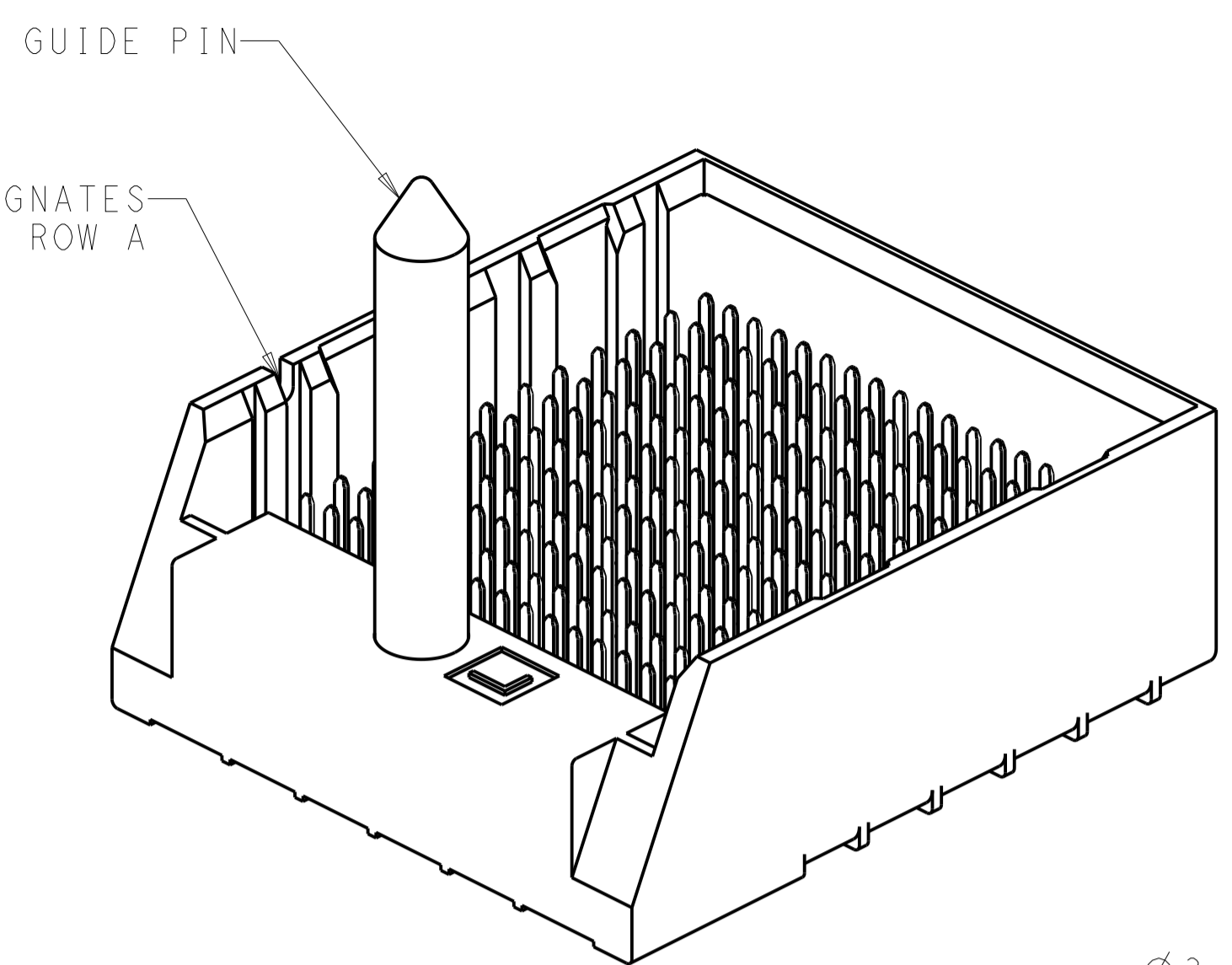
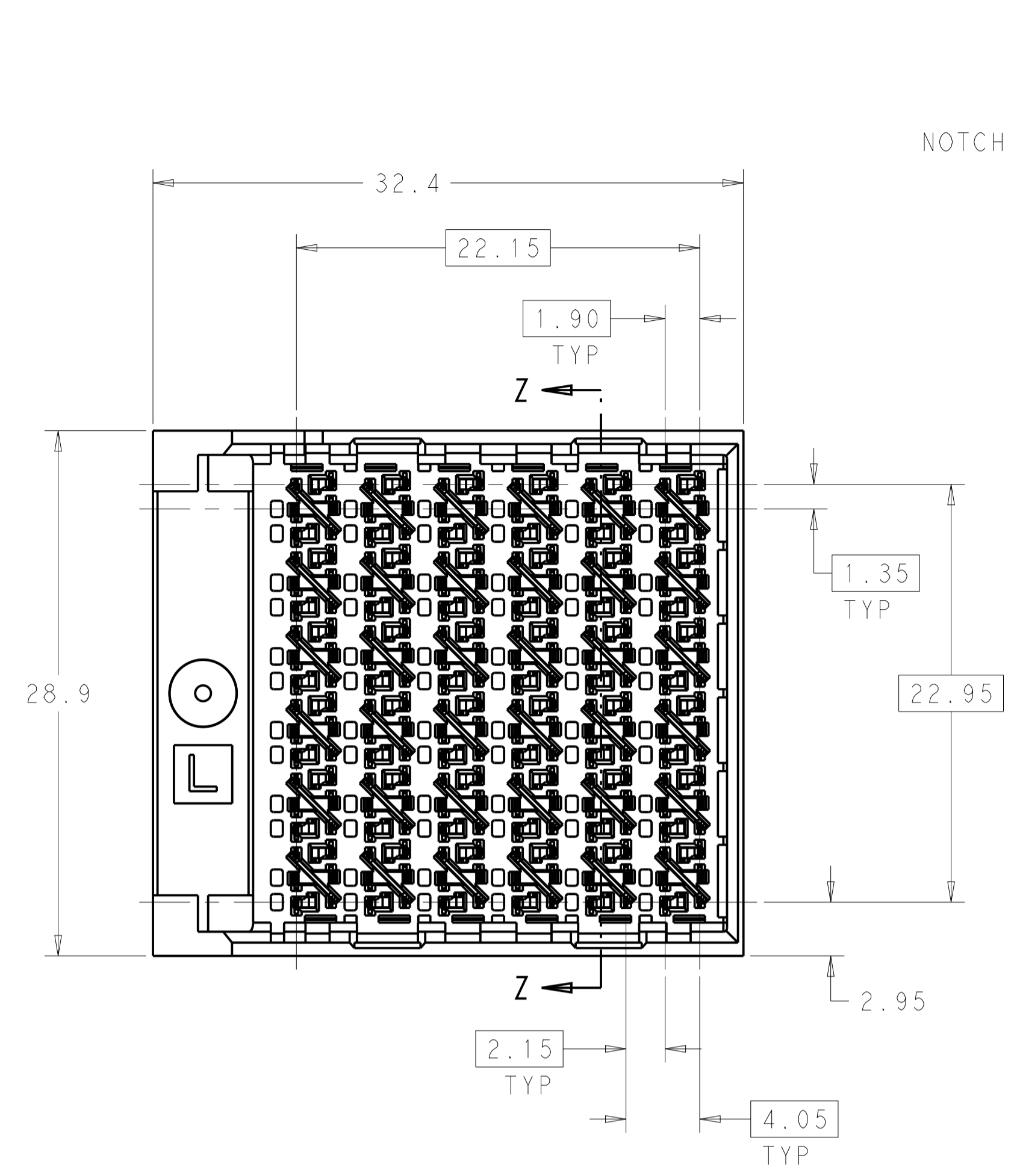
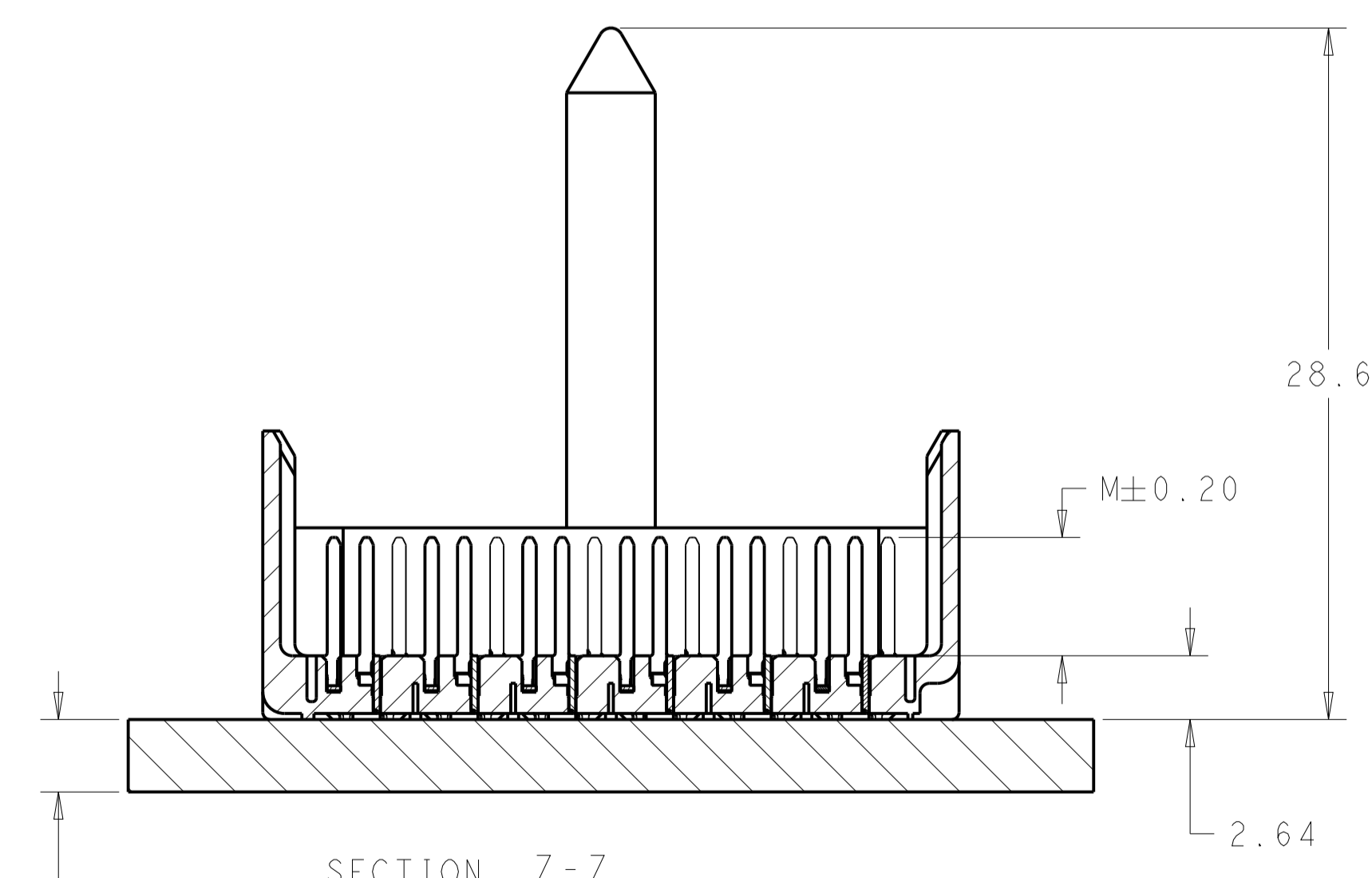
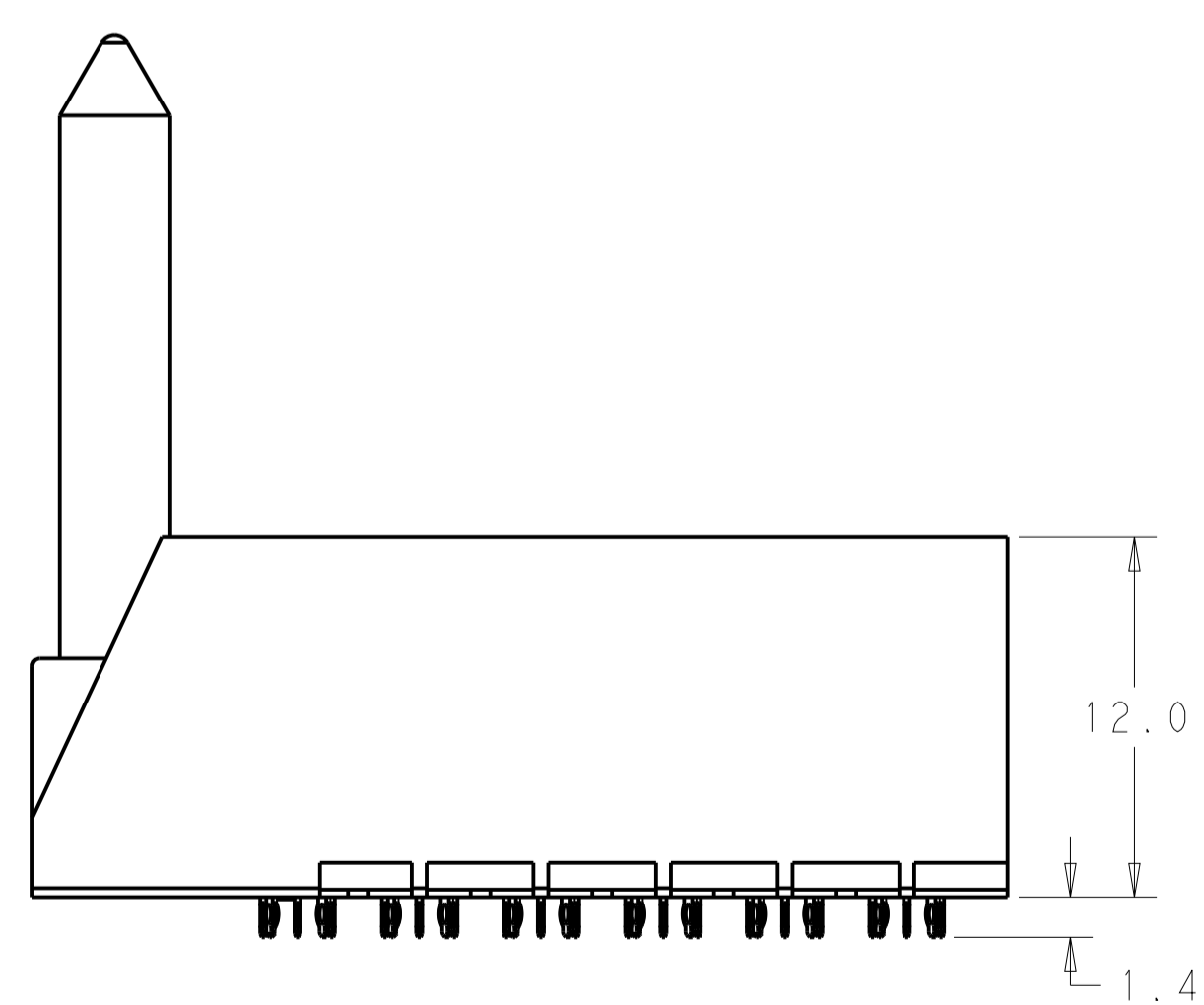
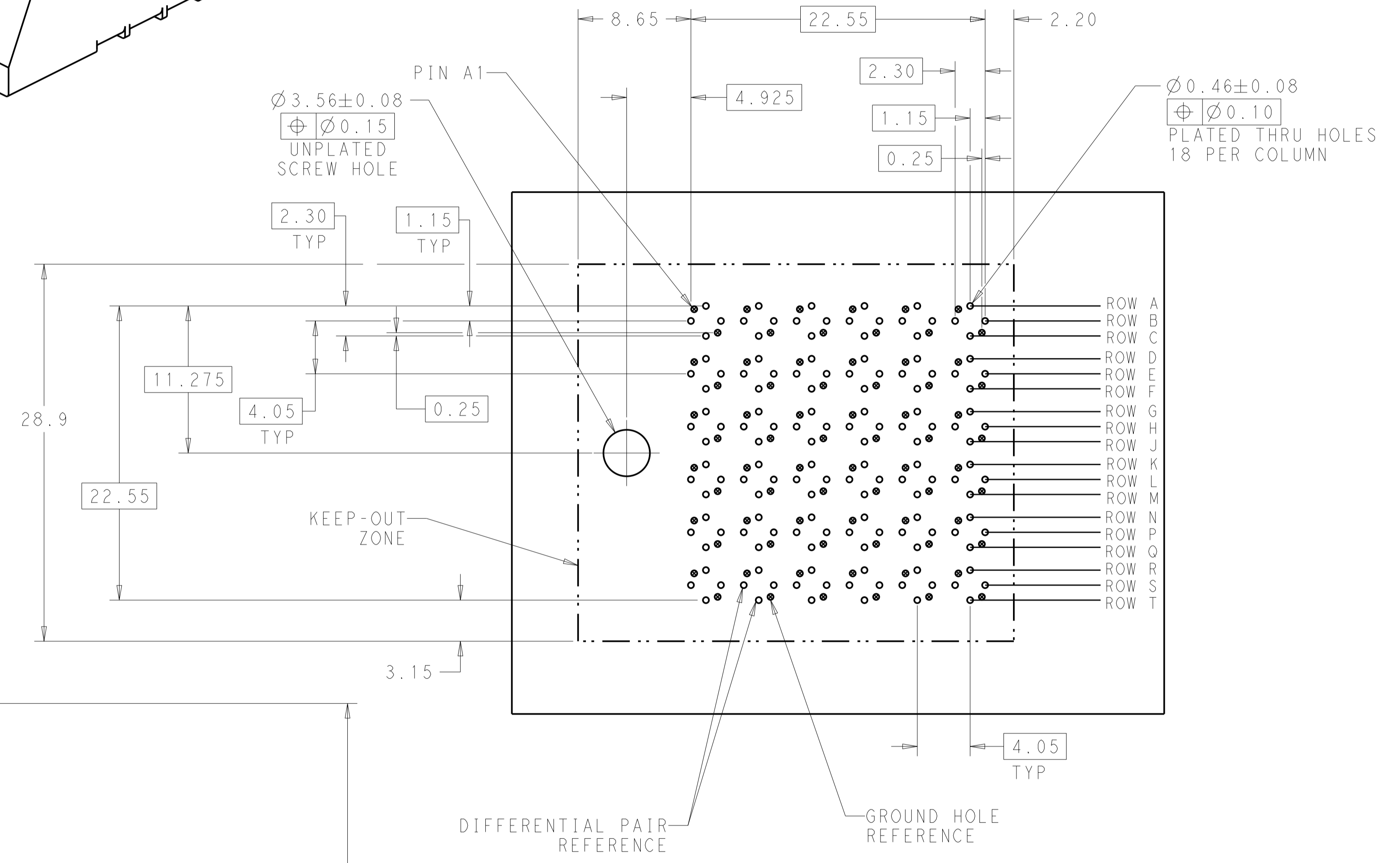


REVISIONS				
P.	LTN.	DESCRIPTION	DATE	APPROV.
C		REVISED PER ECO-14-013273	04NOV2014	AP DD



- 1 MATERIAL:
HOUSING: LCP GLASS FILLED UL94V-0
TERMINALS: HIGH PERFORMANCE COPPER ALLOY
- 2 FINISH:
30μ" MIN GOLD IN CONTACT AREA
SELECTIVE TIN ON PCB TAILS.
NICKEL OVERALL.
- 3. SCREWS PACKAGED IN END OF PACKAGING TUBE



LEFT GUIDED BACKPLANE HOLE PATTERN (CONNECTOR SIDE) SCALE 4:1

2	5.5	2143274-2
2	4.9	2143274-1
FINISH	DIM M	PART NUMBER

THIS DRAWING IS A CONTROLLED DOCUMENT.		DWN: J. K. SHOBER 28DEC2010	TE Connectivity
DIMENSIONS: mm		CHK: J. EARY 28DEC2010	
TOLERANCES UNLESS OTHERWISE SPECIFIED:		APVD: J. EARY 28DEC2010	NAME: IMPACT, 6 PAIR, 12 COLUMN, LEFT GUIDED RIGHT END WALL ASSEMBLY, ORTHOGONAL, 0.46 PTH SIZE: CAGE CODE DRAWING NO: A100779C=2143274 RESTRICTED TO:
0 PLC ±0.25 1 PLC ±0.13 2 PLC ±0.13 3 PLC ±0.13 4 PLC ±0.13 ANGLES ±0		PRODUCT SPEC: APPLICATION SPEC: WEIGHT: CUSTOMER DRAWING	
MATERIAL: SEE TABLE		SCALE: 4:1	SHEET 1 OF 1 REV C