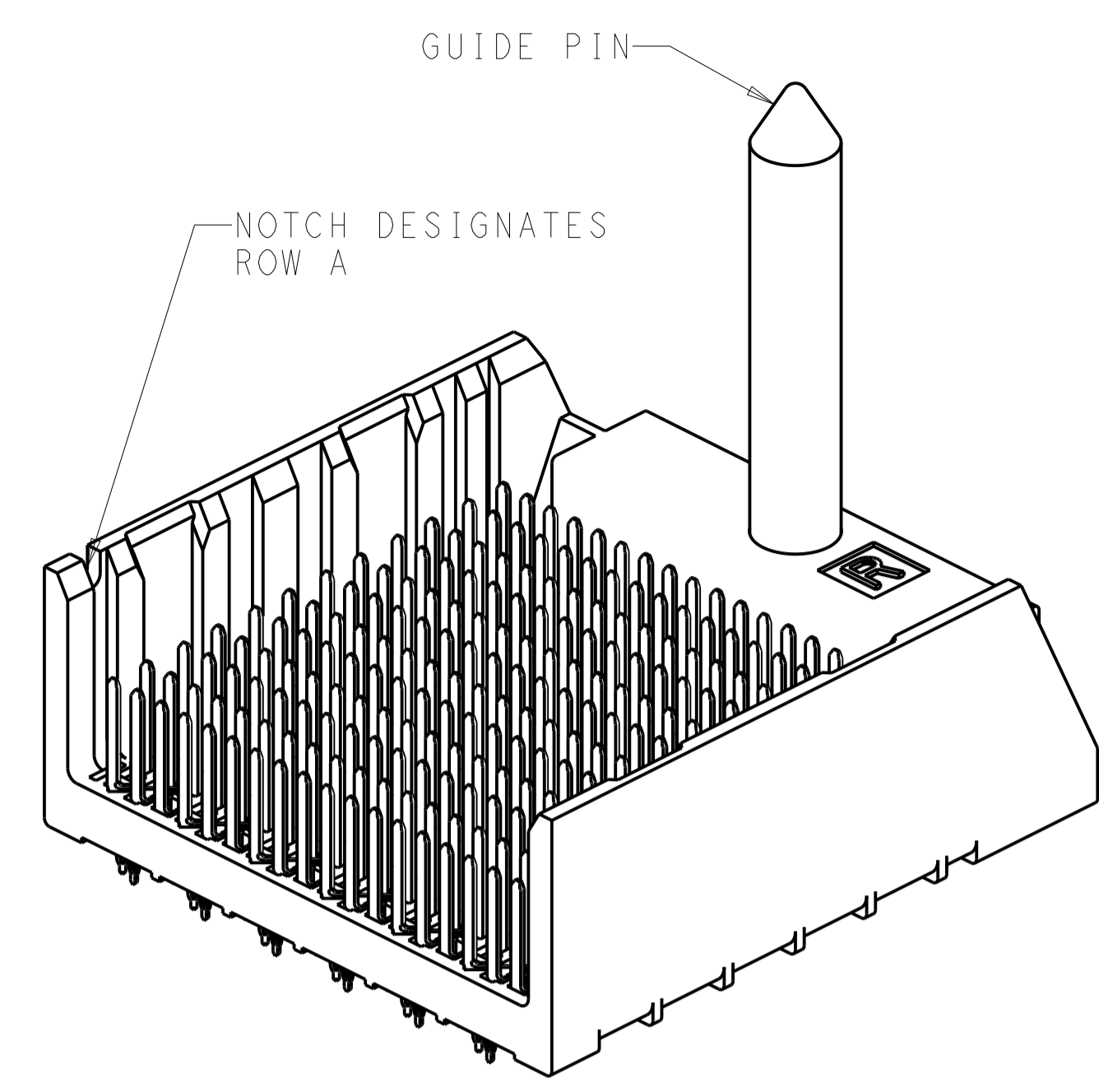
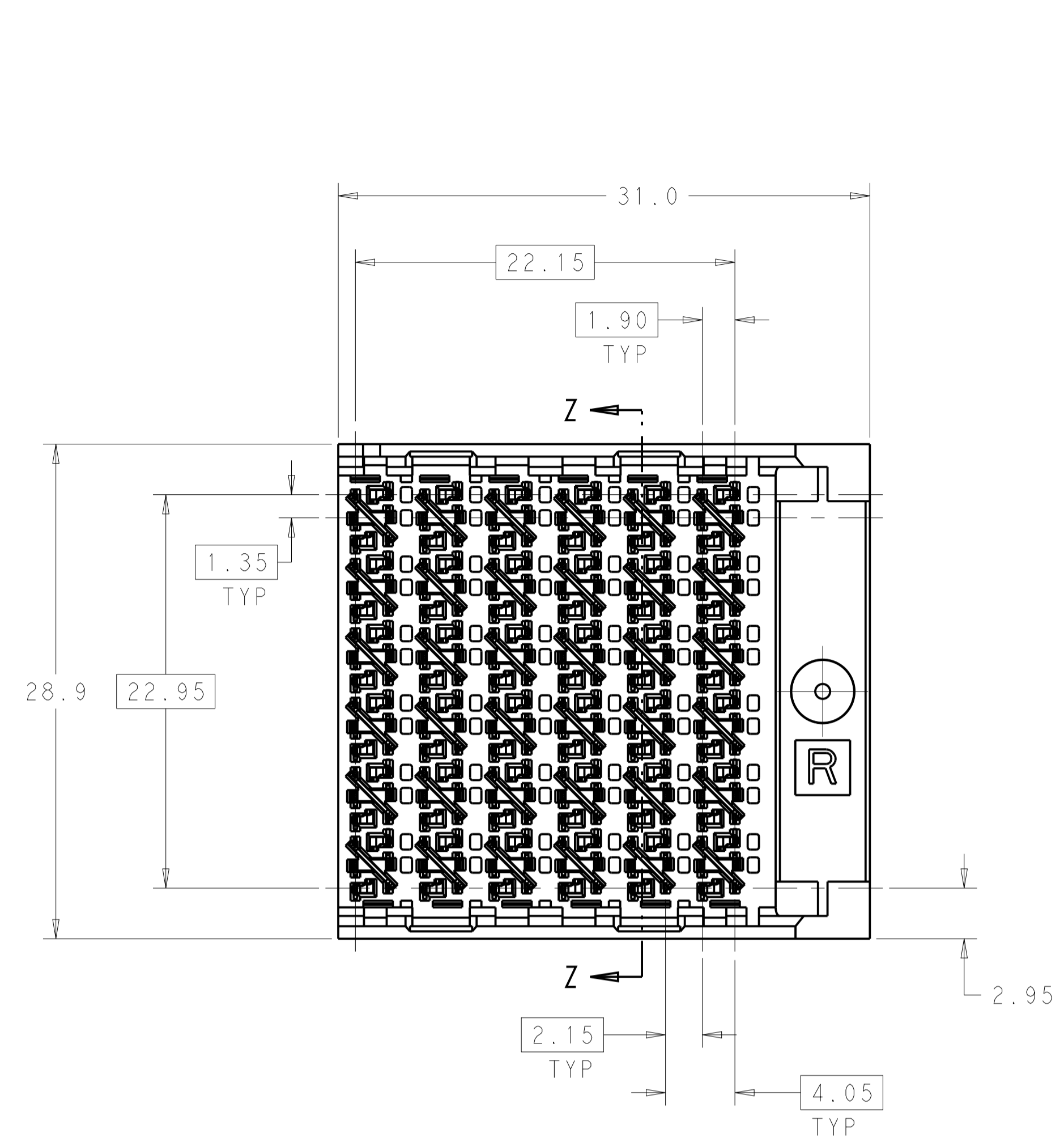


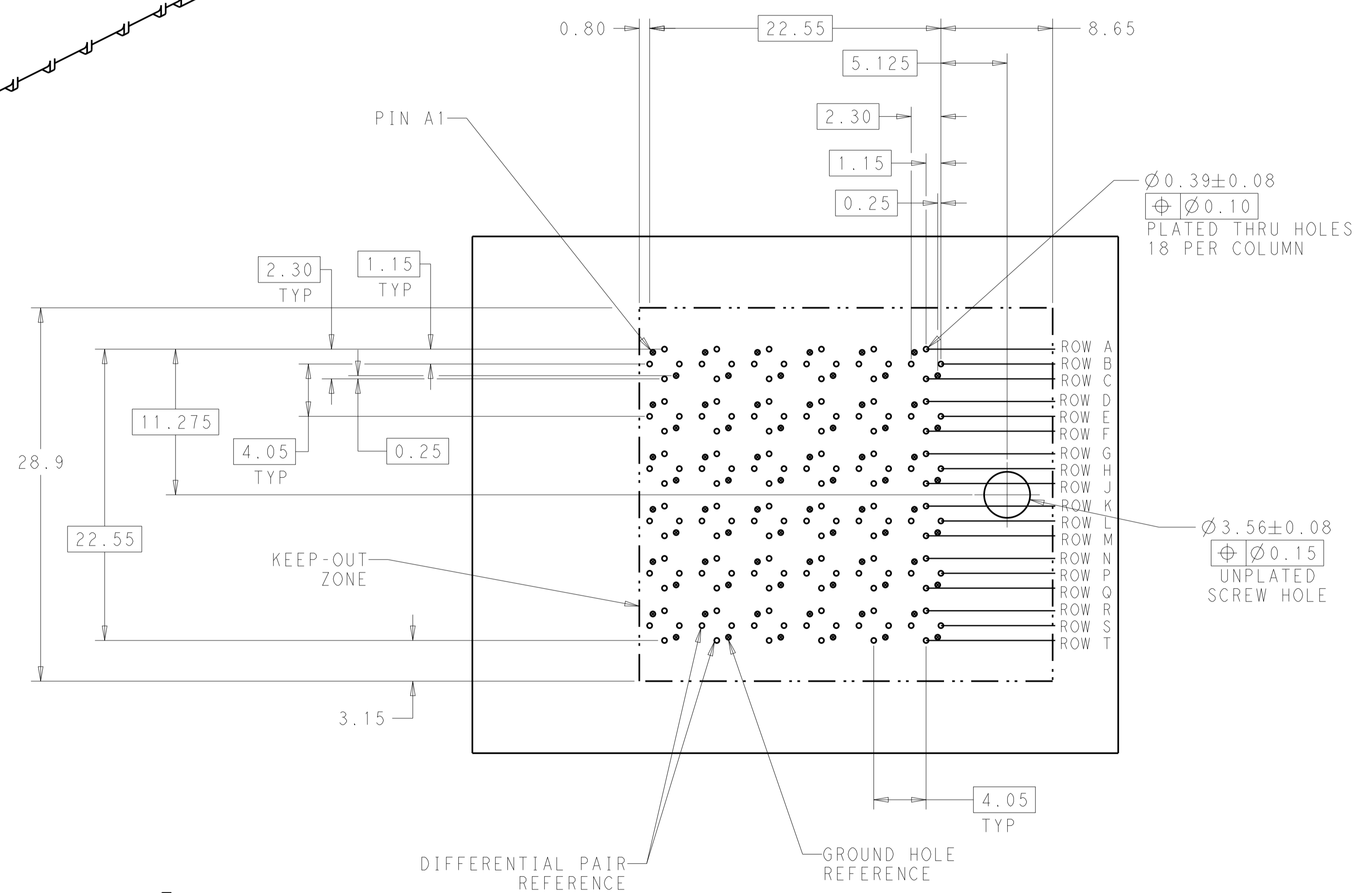
REVISIONS				
P.	LTN.	DESCRIPTION	DATE	APVD.
C		REVISED PER ECO-14-013273	04NOV2014	AP DD



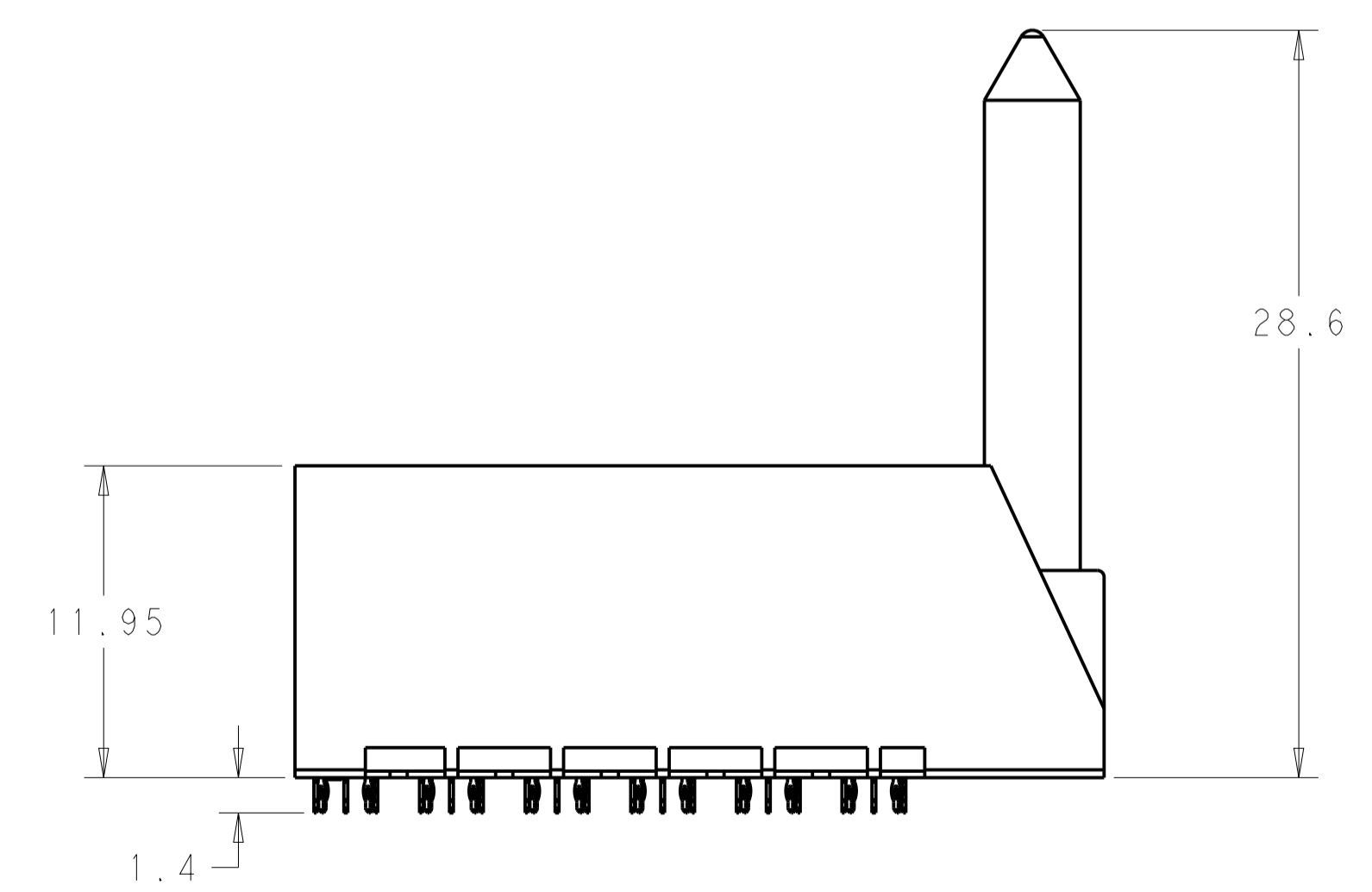
⚠ MATERIAL:
 HOUSING: LCP GLASS FILLED UL94V-0
 TERMINALS: HIGH PERFORMANCE COPPER ALLOY

⚠ FINISH:
 30μ" MIN GOLD IN CONTACT AREA
 SELECTIVE TIN ON PCB TAILS.
 NICKEL OVERALL.

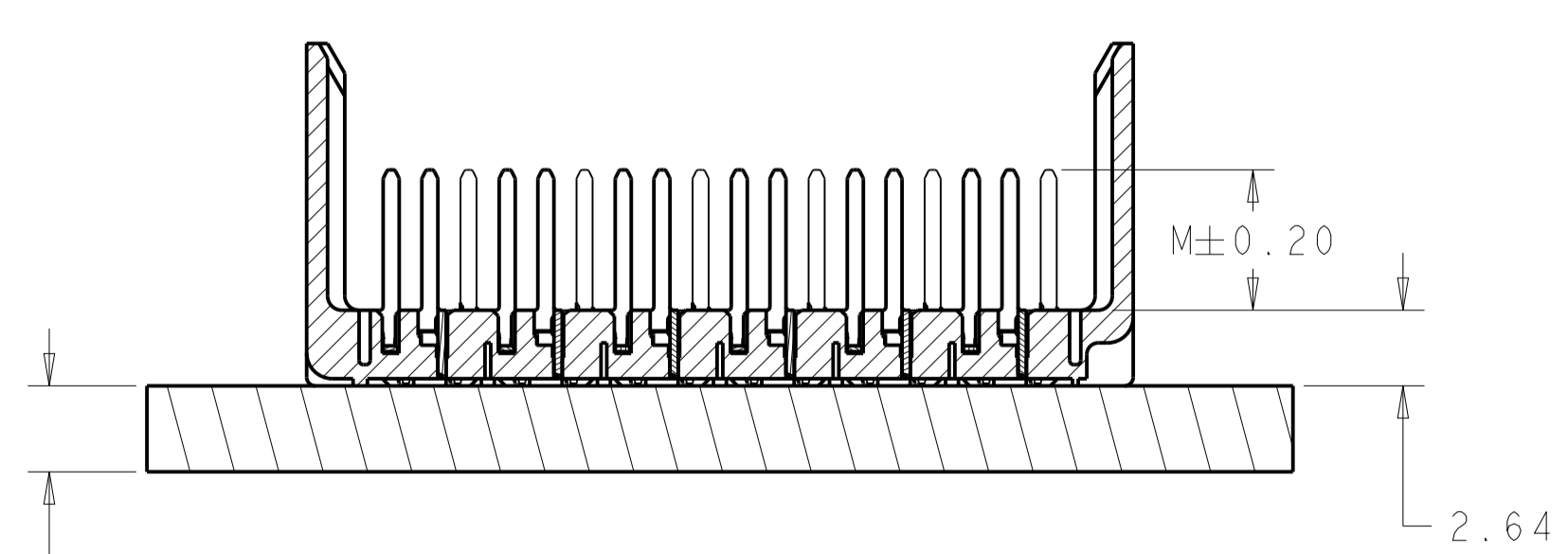
3. SCREWS PACKAGED IN END OF PACKAGING TUBE



LEFT GUIDED
 BACKPLANE HOLE PATTERN
 (CONNECTOR SIDE)
 SCALE 4:1



3.00 MIN
 BOARD THICKNESS



SECTION Z-Z

⚠	5.5	2143267-2
⚠	4.9	2143267-1
FINISH	DIM M	PART NUMBER

THIS DRAWING IS A CONTROLLED DOCUMENT.		OWN J. K. SHOBER 29DEC2010	TE Connectivity	
DIMENSIONS: mm		CHK J. EARY 29DEC2010		
TOLERANCES UNLESS OTHERWISE SPECIFIED:		APVD J. EARY 29DEC2010	NAME IMPACT, 6 PAIR, 12 COLUMN, RIGHT GUIDED OPEN END WALL ASSEMBLY, ORTHOGONAL, 0.39 PTH	
0 PLC ±	1 PLC ±0.25	PRODUCT SPEC	SIZE CAGE CODE DRAWING NO RESTRICTED TO	
2 PLC ±0.13	3 PLC ±	APPLICATION SPEC	A100779C=2143267	
4 PLC ±	ANGLES ±0	WEIGHT	SCALE 4:1 SHEET 1 OF 1 REV C	
MATERIAL FINISH	SEE TABLE	CUSTOMER DRAWING		