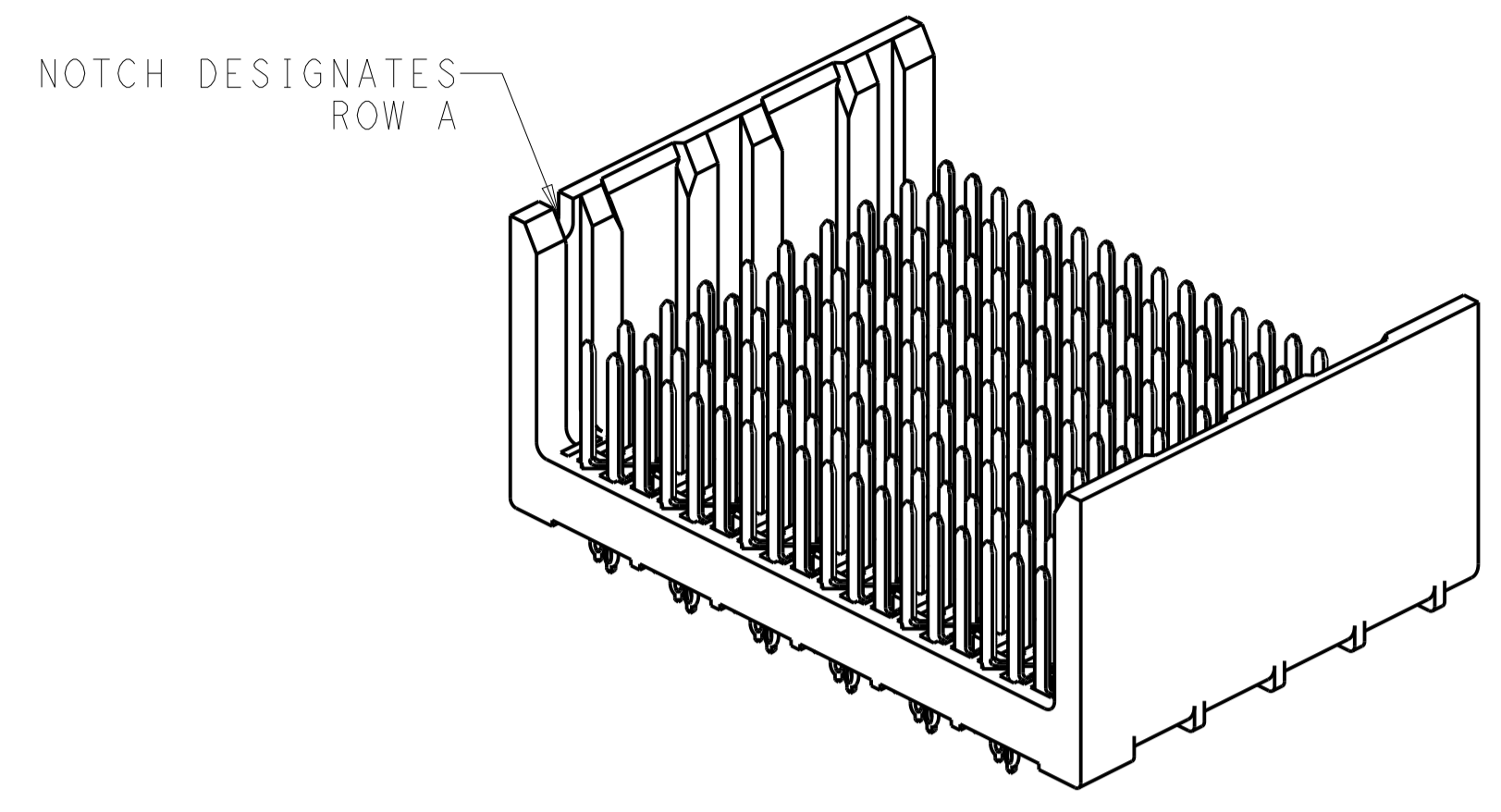
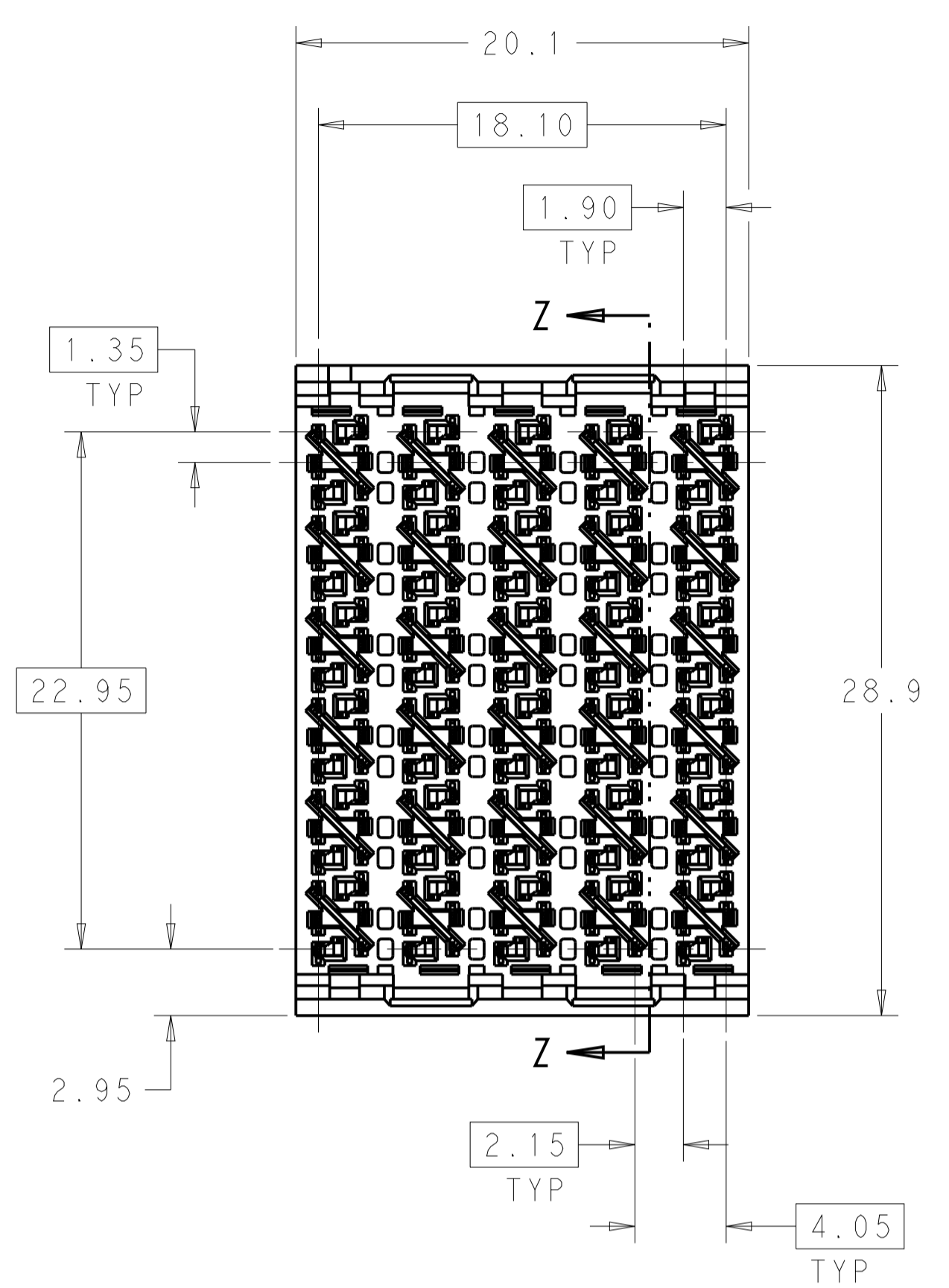
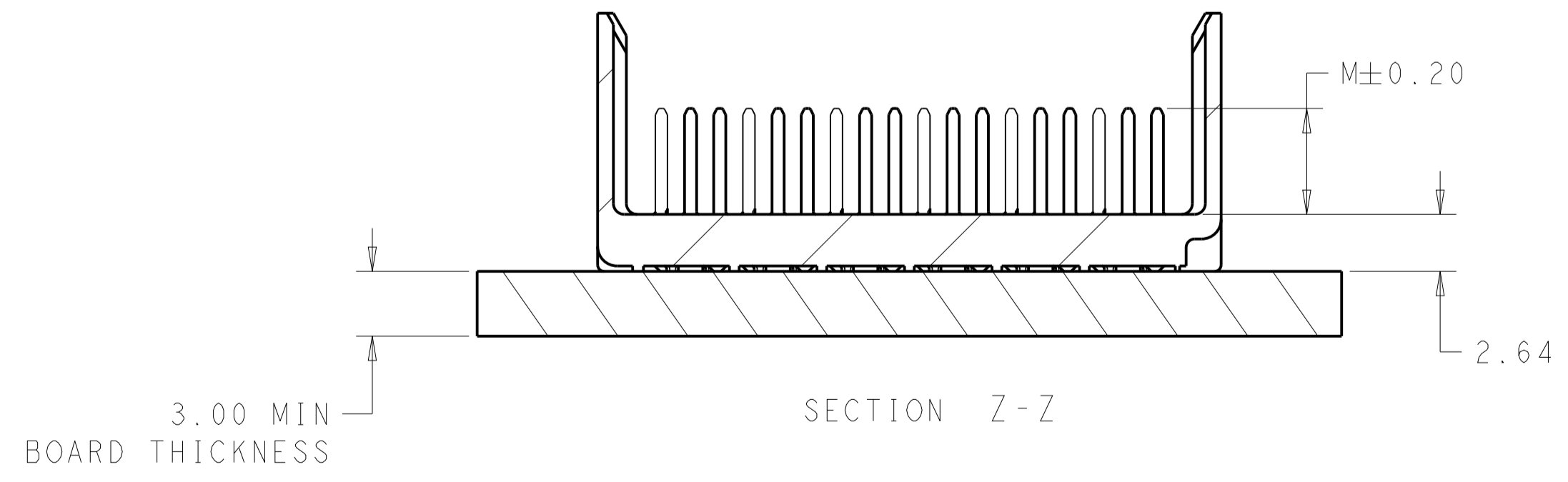
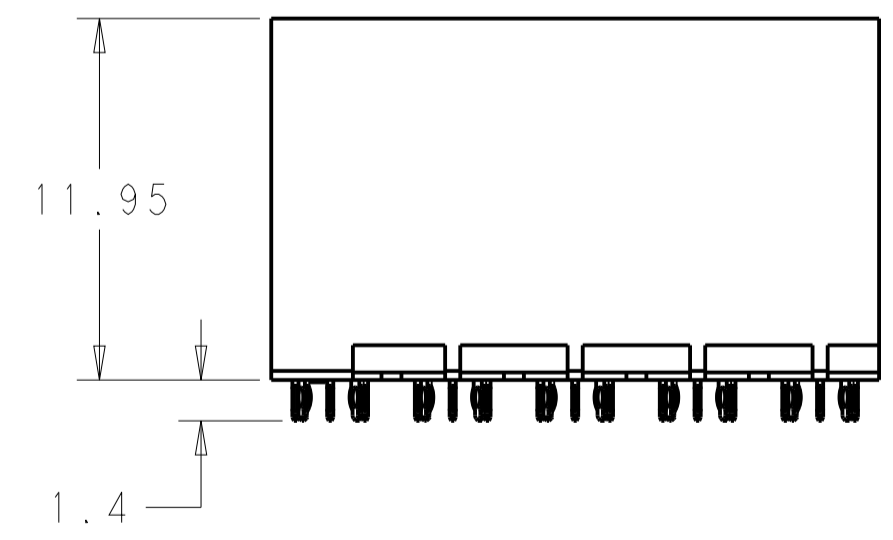
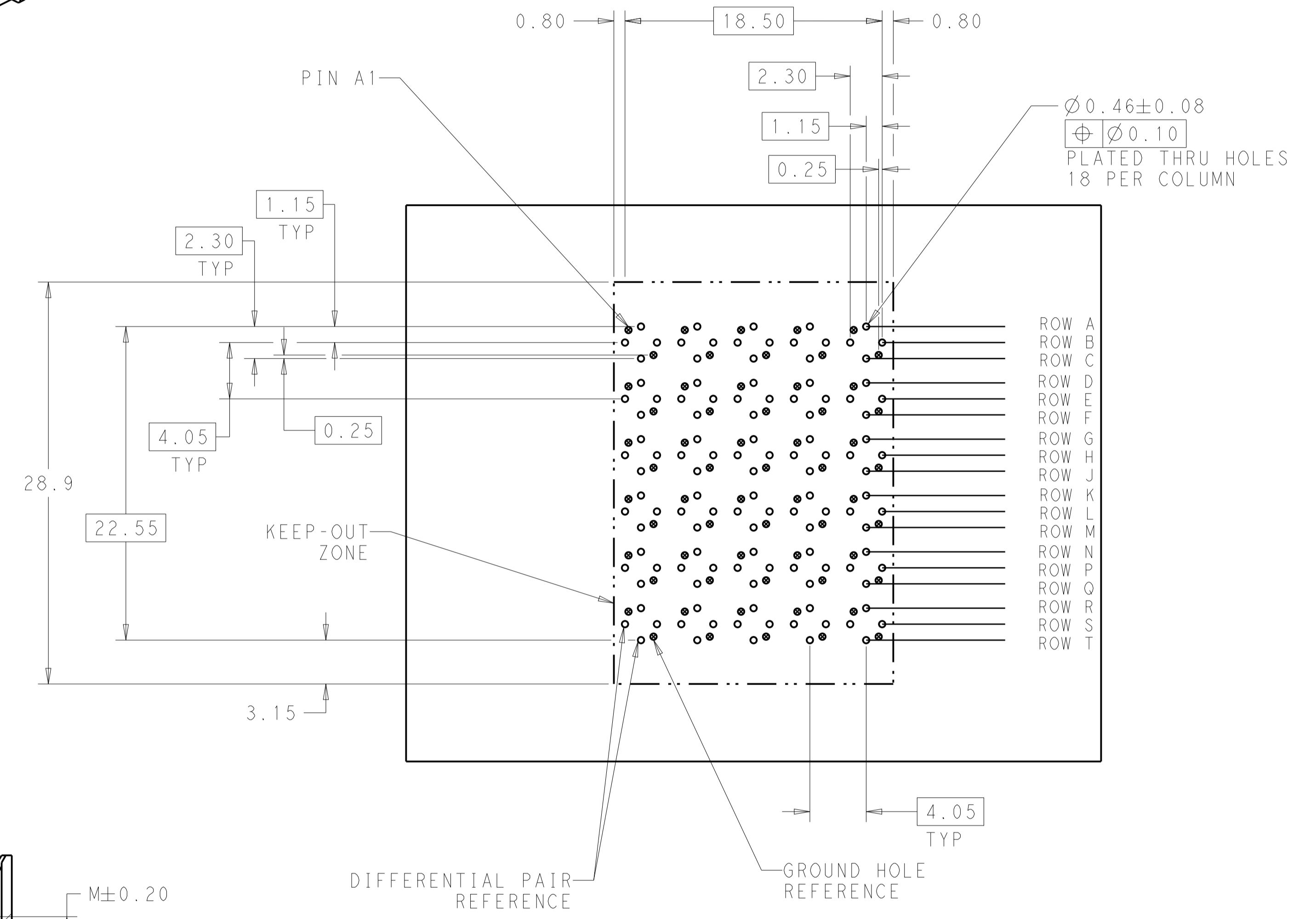


REVISIONS				
P.	LTN	DESCRIPTION	DATE	APVD
C		REVISED PER ECO-14-013273	31OCT2014	AP DD



- 1 MATERIAL:  
HOUSING: LCP GLASS FILLED UL94V-0  
TERMINALS: HIGH PERFORMANCE COPPER ALLOY
- 2 FINISH:  
30μ" MIN GOLD IN CONTACT AREA  
SELECTIVE TIN ON PCB TAILS.  
NICKEL OVERALL.



LEFT GUIDED  
BACKPLANE HOLE PATTERN  
(CONNECTOR SIDE)  
SCALE 4:1

2	5.5	2143261-2
2	4.9	2143261-1
FINISH	DIM M	PART NUMBER

THIS DRAWING IS A CONTROLLED DOCUMENT.		DWN J. K. SHOBER 03JAN2011	TE Connectivity NAME: IMPACT, 6 PAIR, 10 COLUMN, UNGUIDED OPEN END WALL ASSEMBLY, ORTHOGONAL, 0.46 PTH PRODUCT SPEC: - APPLICATION SPEC: - SIZE: CAGE CODE DRAWING NO: A100779C=2143261 RESTRICTED TO: - WEIGHT: - CUSTOMER DRAWING
DIMENSIONS: mm		CHK J. EARY 03JAN2011	
TOLERANCES UNLESS OTHERWISE SPECIFIED:		APVD J. EARY 03JAN2011	
0 PLC ± 1 PLC ±0.25 2 PLC ±0.13 3 PLC ± 4 PLC ± ANGLES ±0		SEE TABLE	
SCALE 4:1		SHEET 1 OF 1	REV C