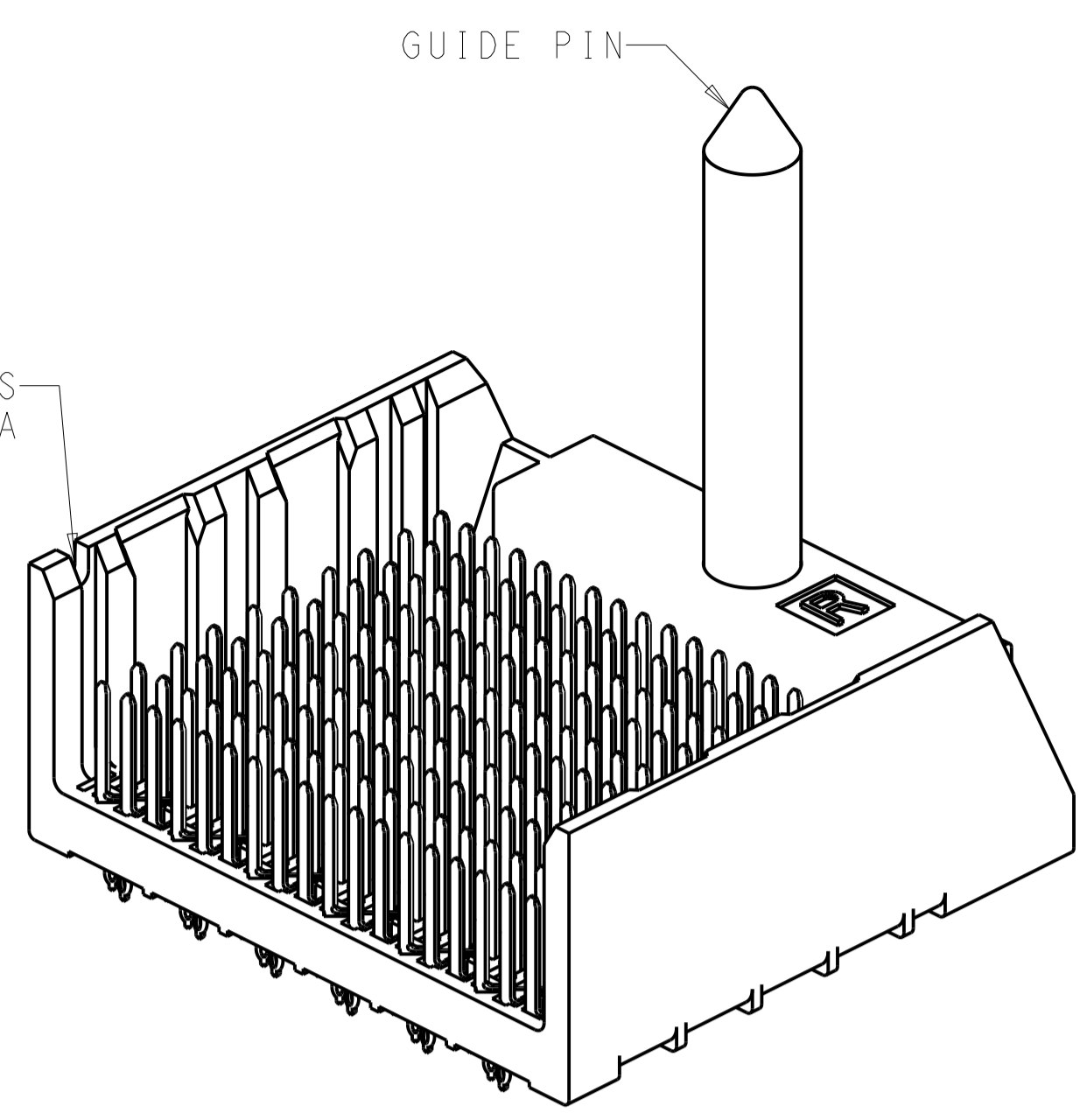
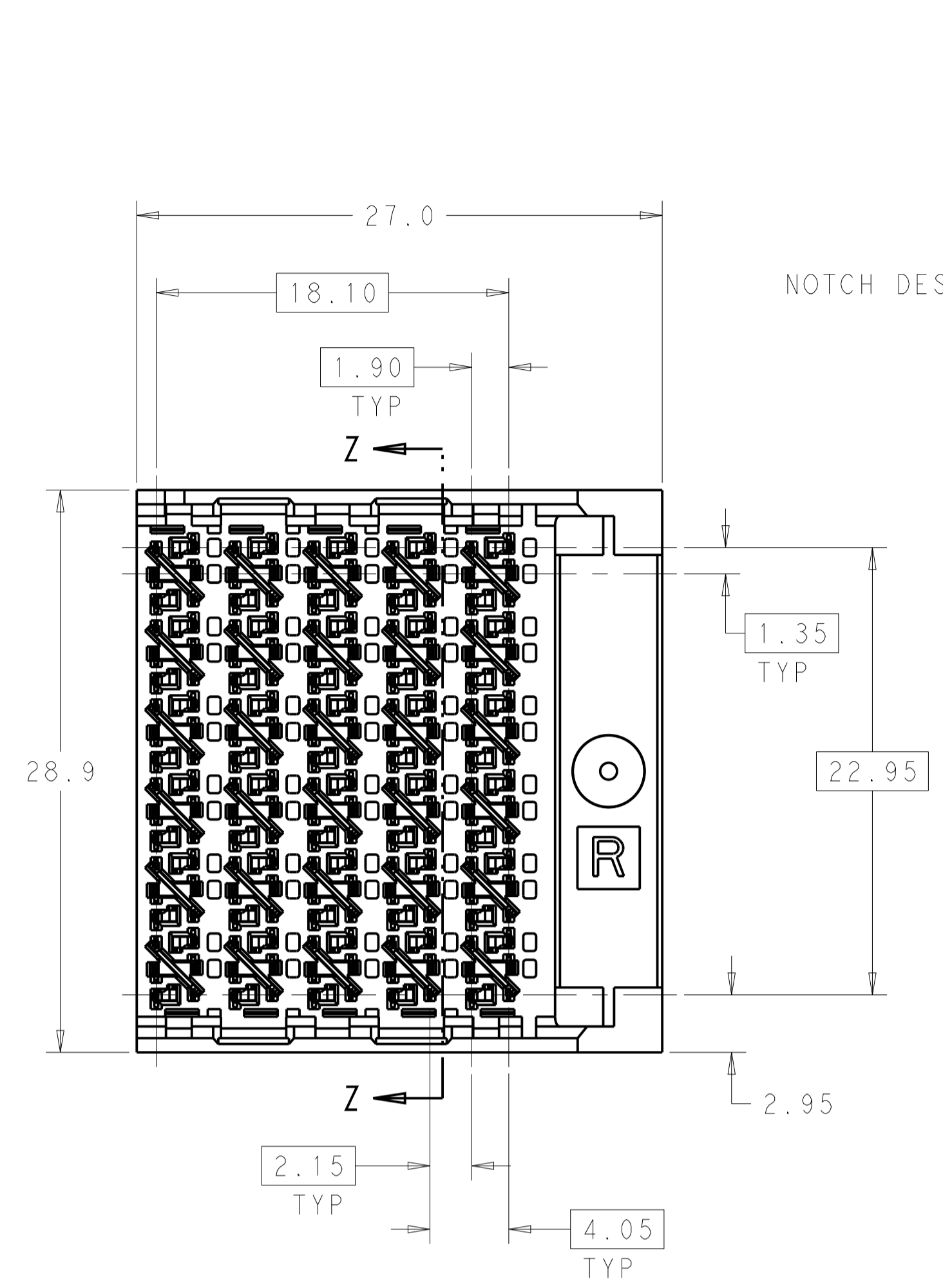


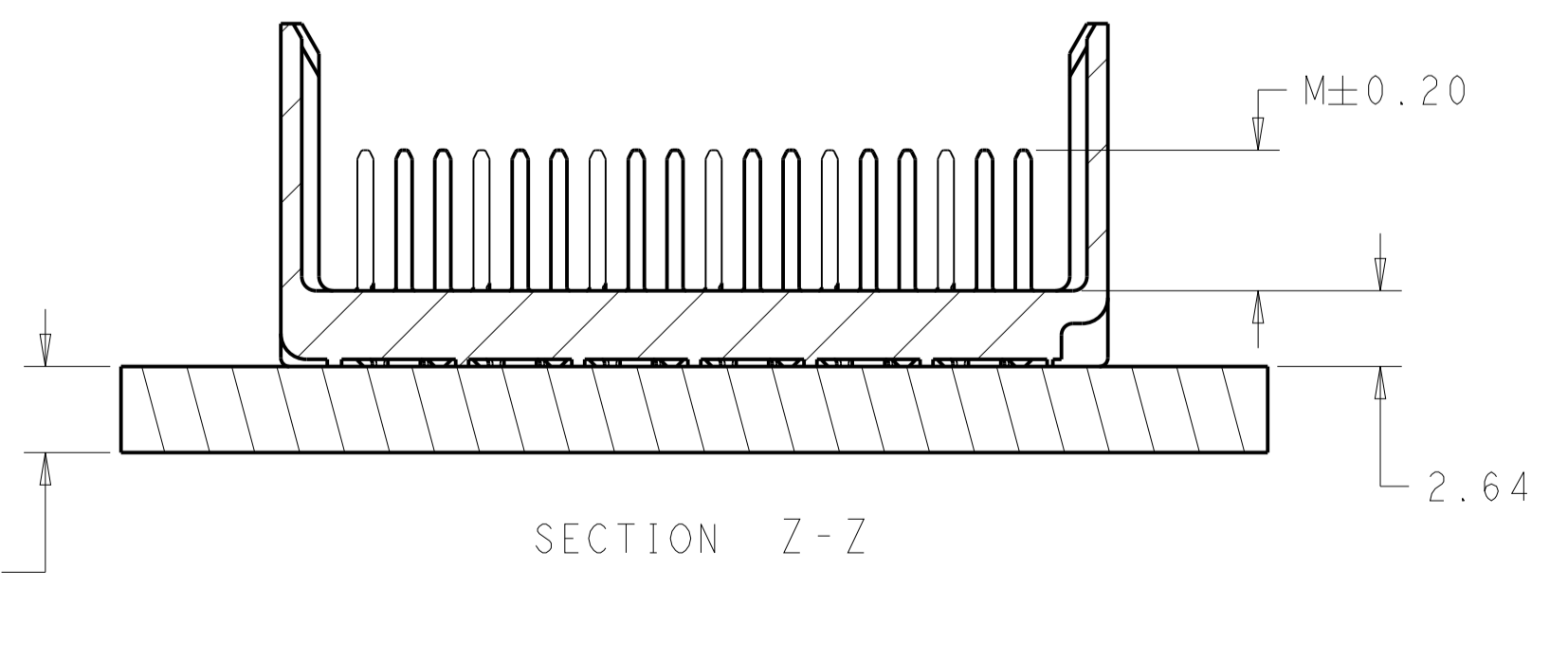
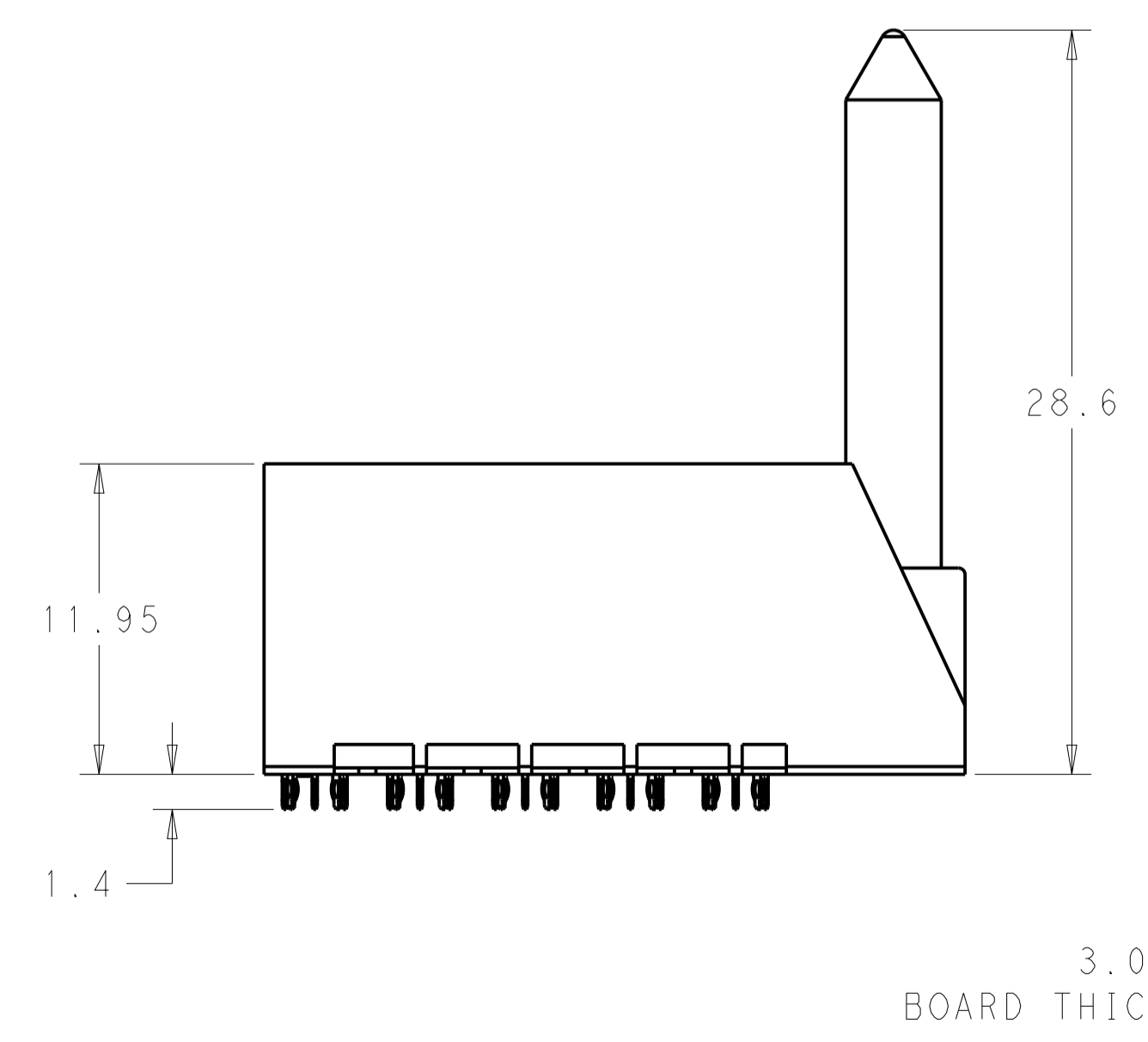
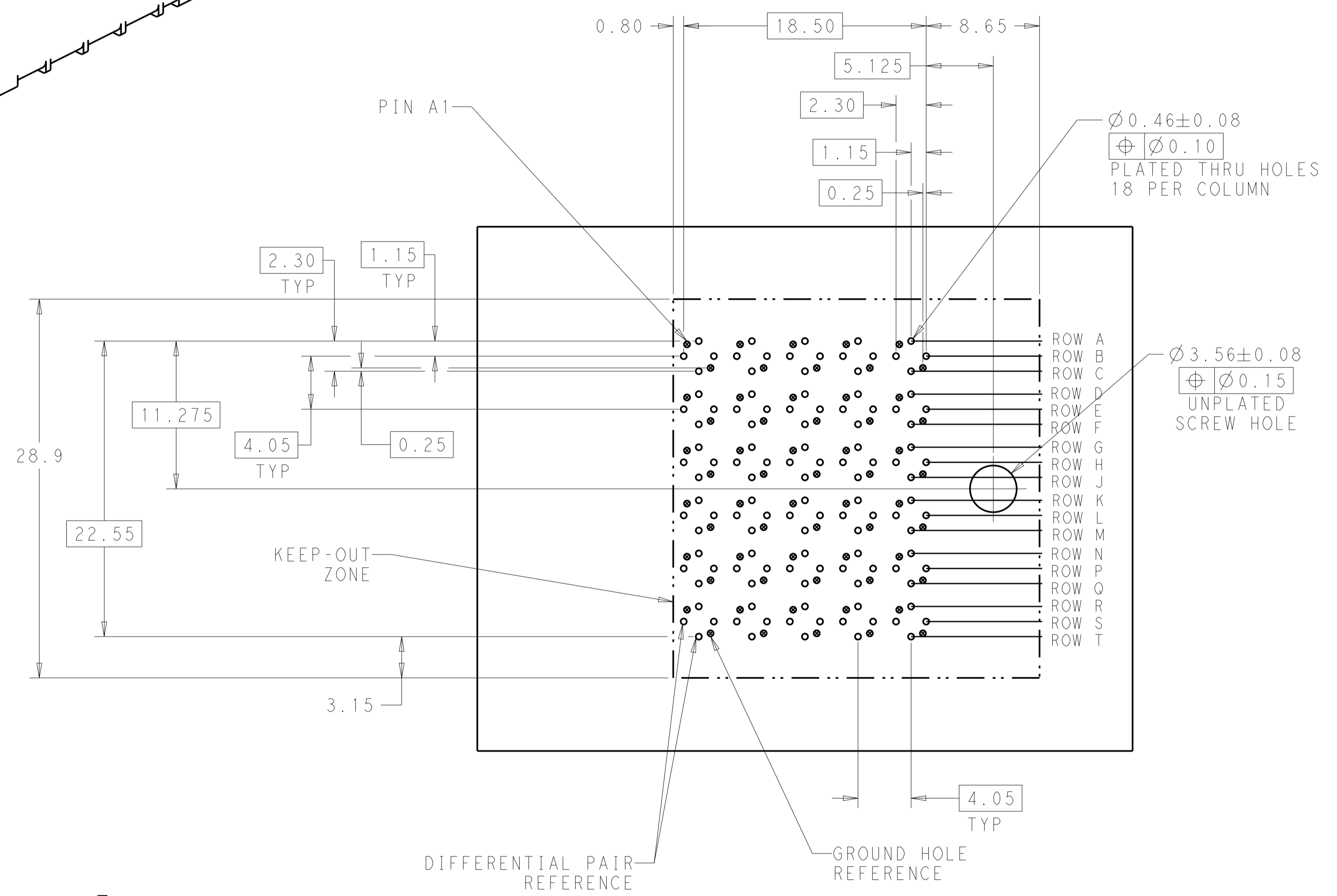
REVISIONS				
P.	LTN	DESCRIPTION	DATE	APVD
C		REVISED PER ECO-14-013273	31OCT2014	AP DD



△ MATERIAL:  
HOUSING: LCP GLASS FILLED UL94V-0  
TERMINALS: HIGH PERFORMANCE COPPER ALLOY

△ FINISH:  
30μ" MIN GOLD IN CONTACT AREA  
SELECTIVE TIN ON PCB TAILS.  
NICKEL OVERALL.

3. SCREWS PACKAGED IN END OF PACKAGING TUBE



LEFT GUIDED BACKPLANE HOLE PATTERN (CONNECTOR SIDE) SCALE 4:1

△	5.5	2143259-2
△	4.9	2143259-1
FINISH	DIM M	PART NUMBER

THIS DRAWING IS A CONTROLLED DOCUMENT.

DIMENSIONS:	TOLERANCES UNLESS OTHERWISE SPECIFIED:	DWN J. K. SHOBER 04JAN2011	CHK J. EARY 04JAN2011	APVD J. EARY 04JAN2011	NAME
mm	0 PLC ±0.25				IMPACT, 6 PAIR, 10 COLUMN, RIGHT GUIDED OPEN END WALL ASSEMBLY, ORTHOGONAL, 0.46 PTH
	1 PLC ±0.13				PRODUCT SPEC
	2 PLC ±0.13				APPLICATION SPEC
	3 PLC ±0.13				SIZE
	4 PLC ±0.13				CAGE CODE
	ANGLES ±0				DRAWING NO
MATERIAL	FINISH	WEIGHT	A100779C=2143259		RESTRICTED TO
SEE TABLE	SEE TABLE	CUSTOMER DRAWING	SCALE 4:1	SHEET 1 OF 1	REV C

STE TE Connectivity