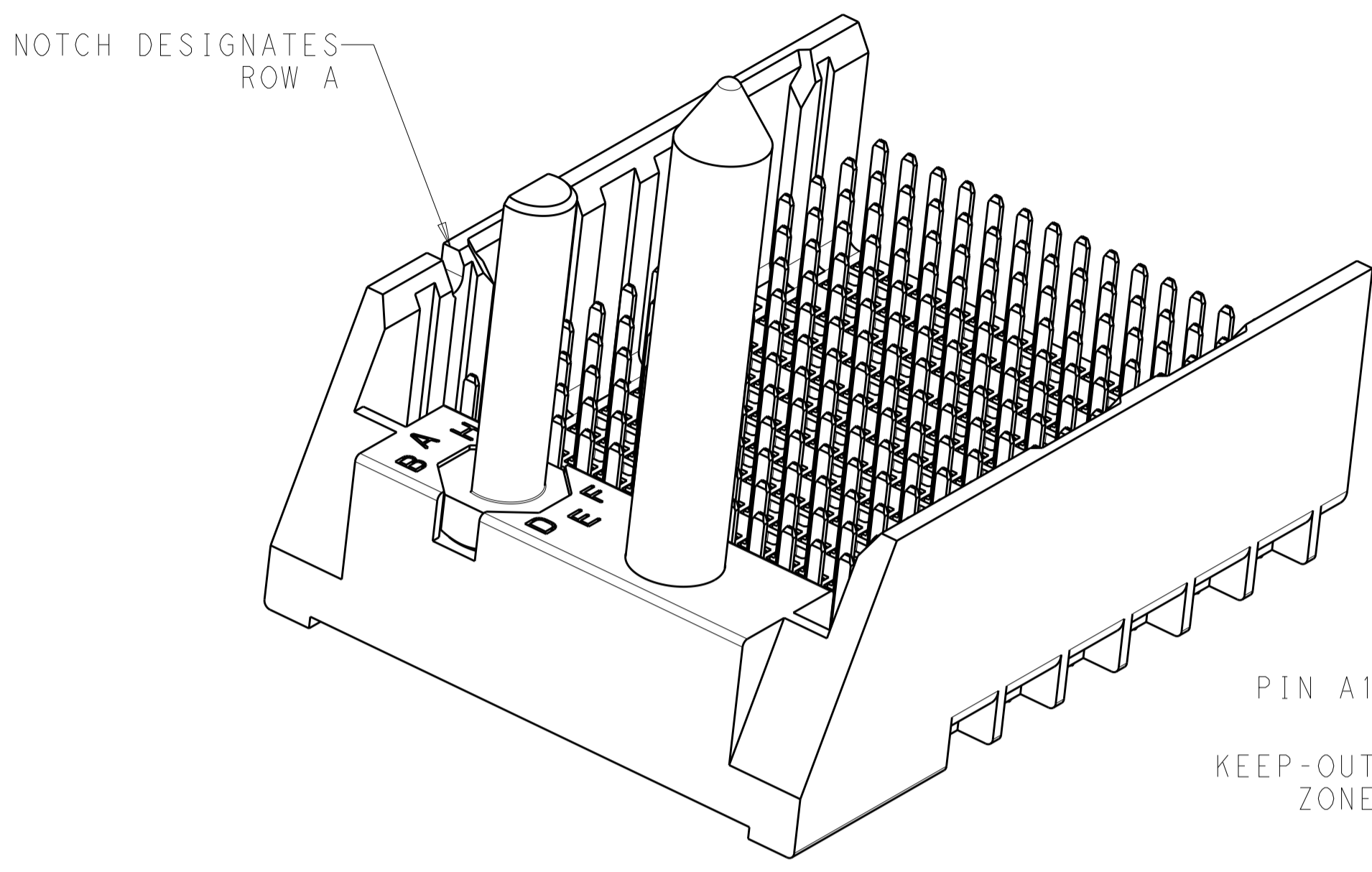
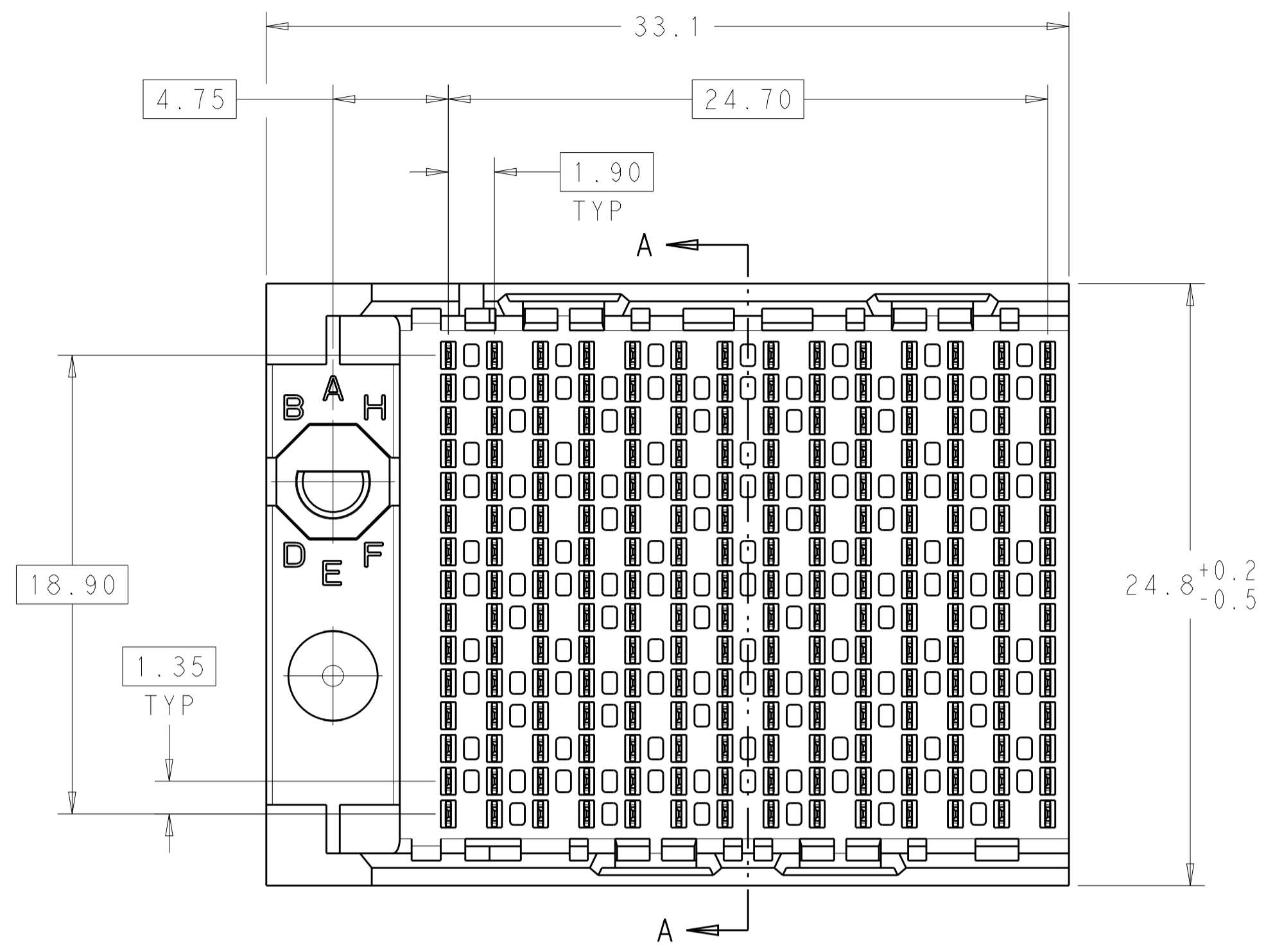
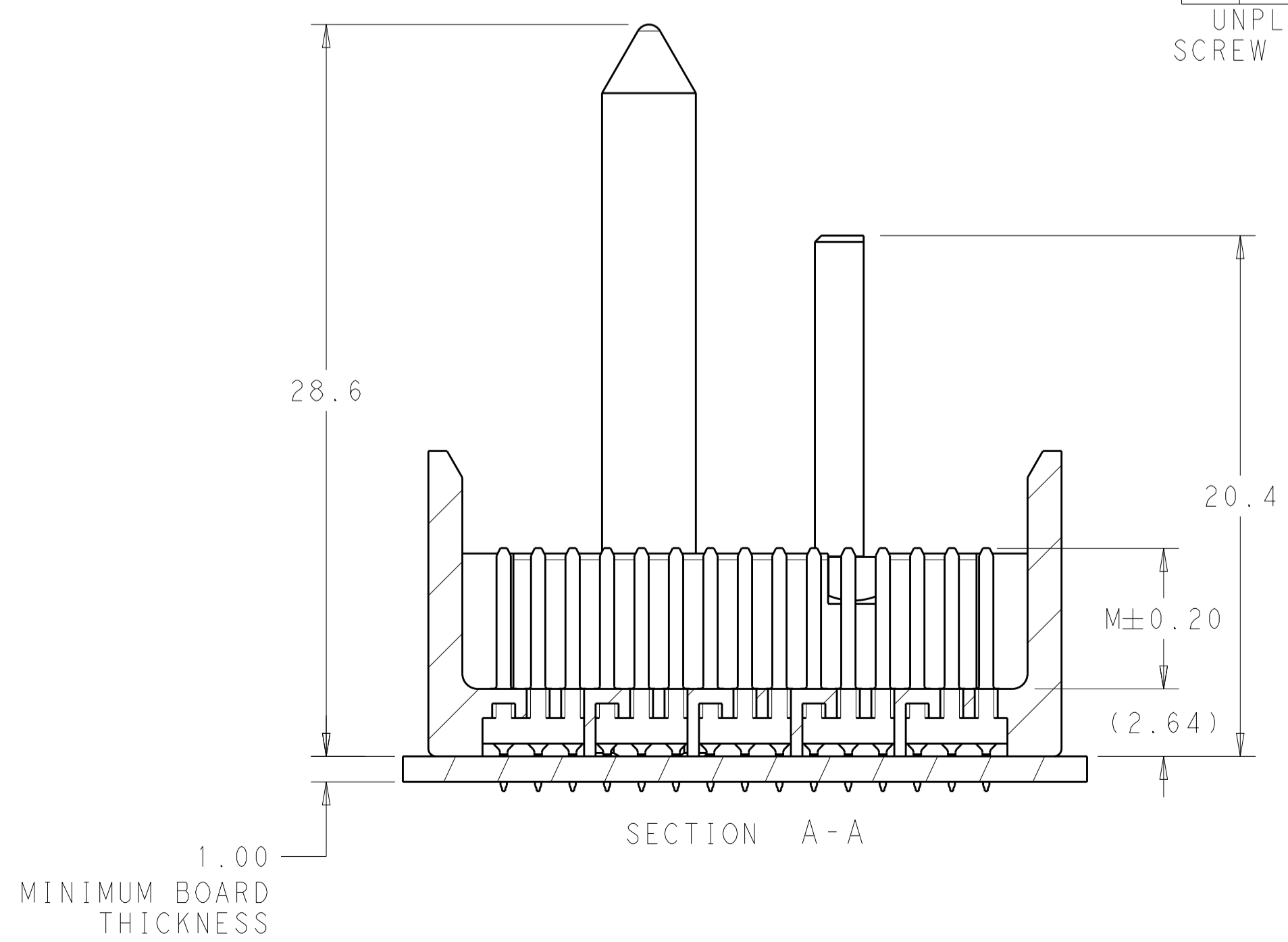
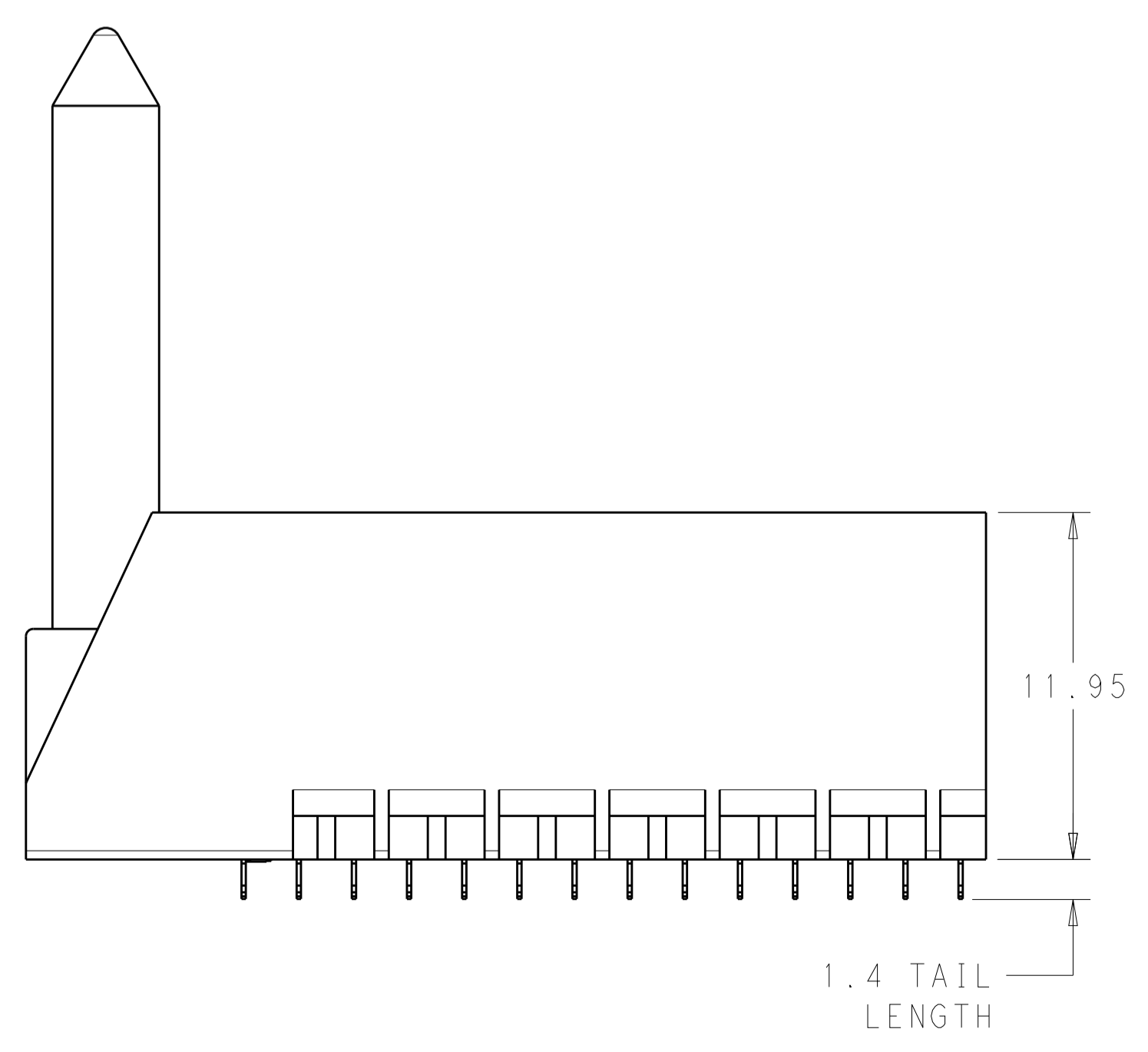
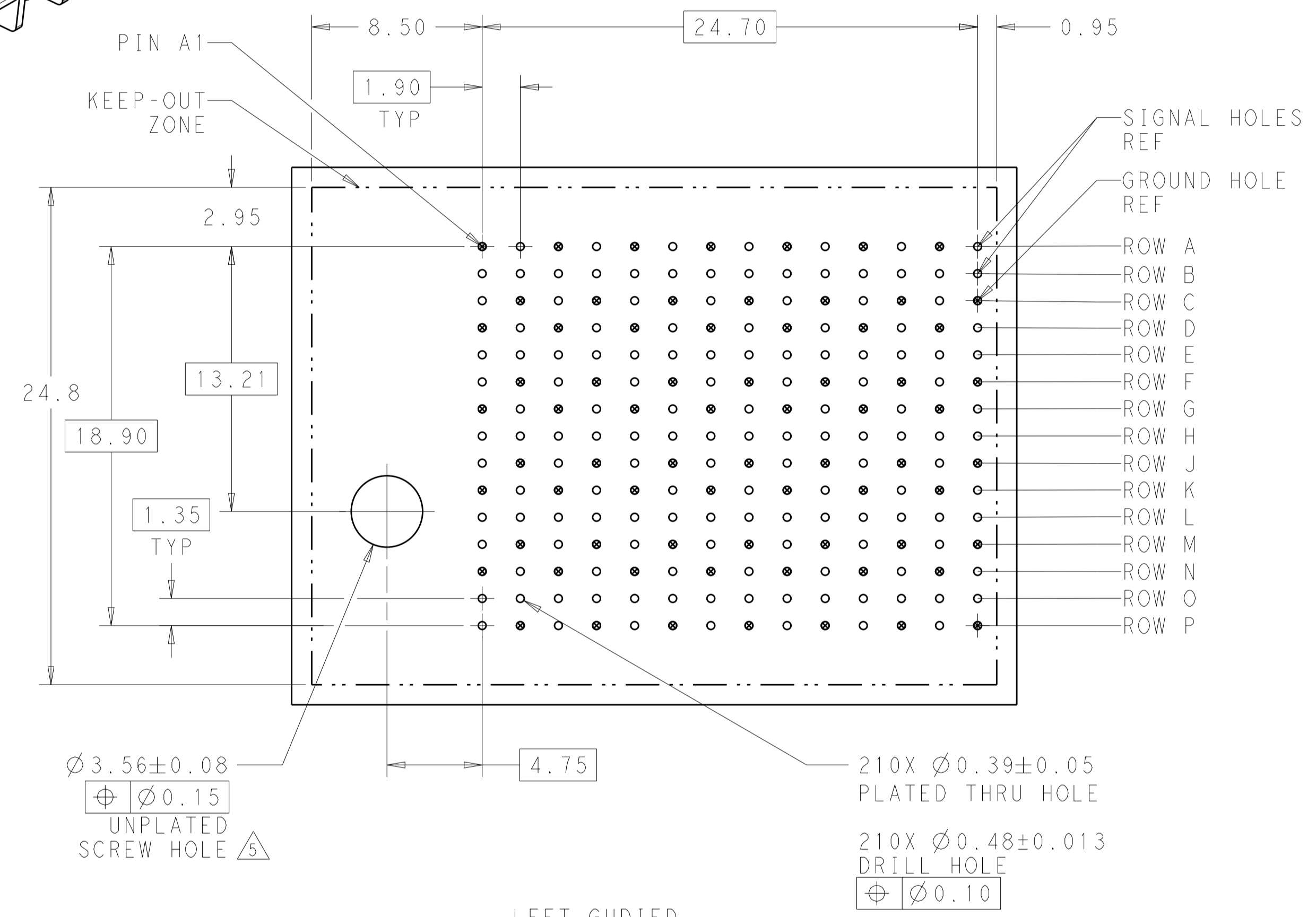


LOC		DIST		REVISIONS			
AD	00	P	LTN	DESCRIPTION	DATE	DWN	APVD
		A		CREATED BY AUTOMATION PROGRAM	06MAY2011	RKC	JE



- 1 MATERIAL:  
HOUSING: LCP, GLASS FILLED, UL94V-0.  
TERMINALS: HIGH PERFORMANCE COPPER ALLOY.
- 2 FINISH:  
30µ" MIN GOLD IN CONTACT AREA. SELECTIVE TIN ON PCB TAILS, NICKEL OVERALL.
- 3 FINISH:  
30µ" MIN GOLD IN CONTACT AREA. SELECTIVE TIN-LEAD ON PCB TAILS, NICKEL OVERALL.
- 4. SCREWS PACKAGED IN END OF PACKAGING TUBE.
- 5 FOR GROUNDED GUIDE PIN USE Ø3.56±0.08 PTH, Ø3.66 DRILL, AND Ø6.5 PAD.
- 6. KEYING PIN SHOWN IN POSITION A, SEE KEYING CHART ON SHEET 2 FOR OTHER POSITIONS.

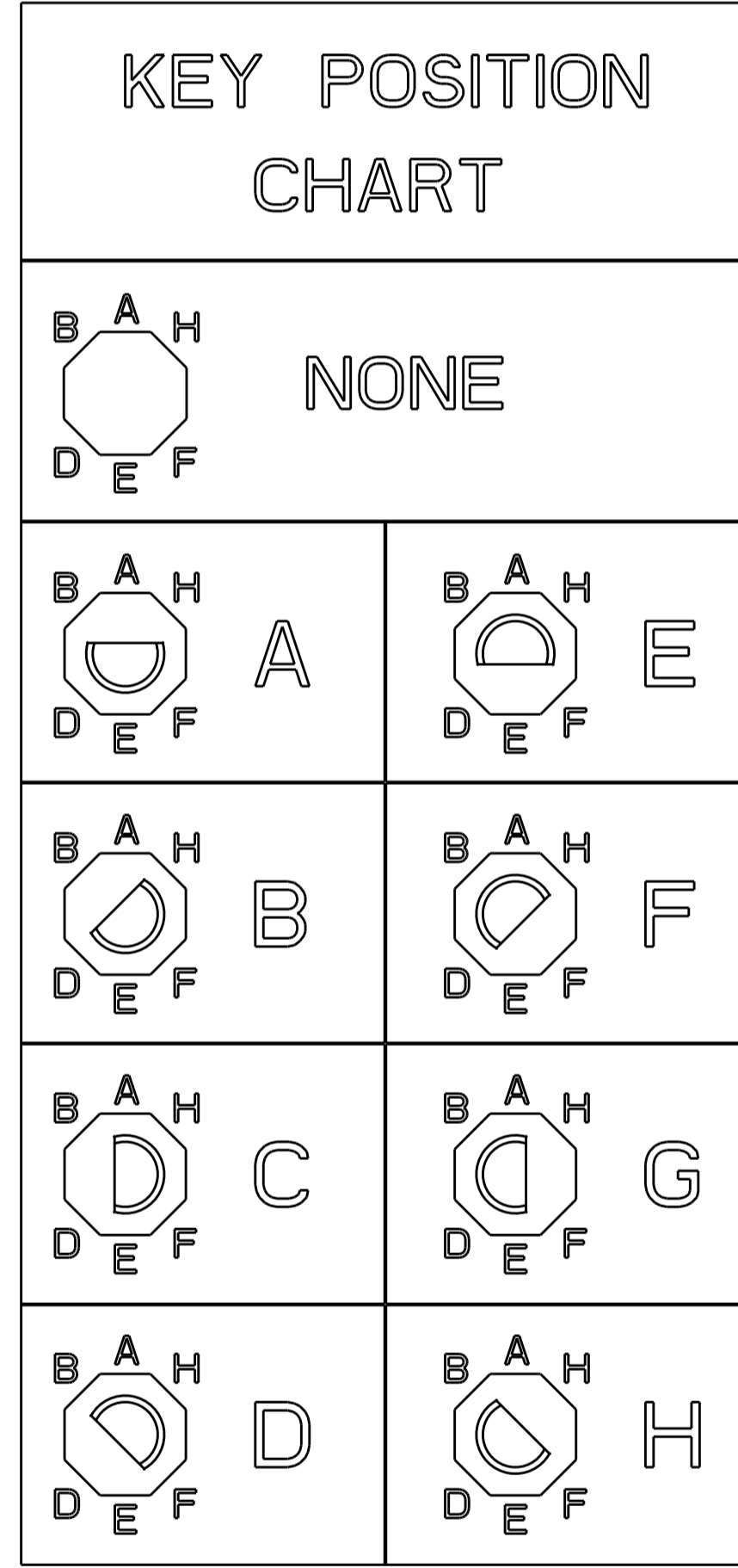


LEFT GUIDED BACKPLANE HOLE PATTERN (CONNECTOR SIDE)

THIS DRAWING IS A CONTROLLED DOCUMENT.		DWN	05MAY2011	<b>STE</b> TE Connectivity
DIMENSIONS:		CHK	J. EARY 05MAY2011	
mm	0 PLC ±	APVD	J. EARY 05MAY2011	NAME IMPACT, 5 PAIR, 14 COLUMN, HEADER LEFT GUIDED, OPEN END WALL SIGNAL MODULE, 0.39 PTH
	1 PLC ±0.25	PRODUCT SPEC		
	2 PLC ±0.13	APPLICATION SPEC		SIZE CAGE CODE DRAWING NO RESTRICTED TO A100779C=2143153
	3 PLC ±	WEIGHT		
	4 PLC ±	CUSTOMER DRAWING		SCALE 5:1 SHEET 1 OF 2 REV A
MATERIAL	FINISH SEE TABLE			

LOC	DIST	P	LTN	DESCRIPTION	DATE	DWN	APVD
AD	00	-	-	SEE SHEET 1	-	-	-

3	H	5.5	8-2143153-6
3	H	4.9	8-2143153-5
3	H	4.5	8-2143153-4
2	H	5.5	8-2143153-3
2	H	4.9	8-2143153-2
2	H	4.5	8-2143153-1
3	G	5.5	7-2143153-6
3	G	4.9	7-2143153-5
3	G	4.5	7-2143153-4
2	G	5.5	7-2143153-3
2	G	4.9	7-2143153-2
2	G	4.5	7-2143153-1
3	F	5.5	6-2143153-6
3	F	4.9	6-2143153-5
3	F	4.5	6-2143153-4
2	F	5.5	6-2143153-3
2	F	4.9	6-2143153-2
2	F	4.5	6-2143153-1
3	E	5.5	5-2143153-6
3	E	4.9	5-2143153-5
3	E	4.5	5-2143153-4
2	E	5.5	5-2143153-3
2	E	4.9	5-2143153-2
2	E	4.5	5-2143153-1
3	D	5.5	4-2143153-6
3	D	4.9	4-2143153-5
3	D	4.5	4-2143153-4
2	D	5.5	4-2143153-3
2	D	4.9	4-2143153-2
2	D	4.5	4-2143153-1
3	C	5.5	3-2143153-6
3	C	4.9	3-2143153-5
3	C	4.5	3-2143153-4
2	C	5.5	3-2143153-3
2	C	4.9	3-2143153-2
2	C	4.5	3-2143153-1
3	B	5.5	2-2143153-6
3	B	4.9	2-2143153-5
3	B	4.5	2-2143153-4
2	B	5.5	2-2143153-3
2	B	4.9	2-2143153-2
2	B	4.5	2-2143153-1
3	A	5.5	1-2143153-6
3	A	4.9	1-2143153-5
3	A	4.5	1-2143153-4
2	A	5.5	1-2143153-3
2	A	4.9	1-2143153-2
2	A	4.5	1-2143153-1
3	-	5.5	2143153-6
3	-	4.9	2143153-5
3	-	4.5	2143153-4
2	-	5.5	2143153-3
2	-	4.9	2143153-2
2	-	4.5	2143153-1
FINISH	KEY POSITION	DIM M	PART NUMBER



REFER TO WWW.TE.COM  
FOR PRODUCT AVAILABILITY

THIS DRAWING IS A CONTROLLED DOCUMENT.		DWN	05MAY2011	<b>TE</b> Connectivity
DIMENSIONS:		CHK	05MAY2011	
mm	TOLERANCES UNLESS OTHERWISE SPECIFIED:	APVD	05MAY2011	<b>IMPACT, 5 PAIR, 14 COLUMN, HEADER LEFT GUIDED, OPEN END WALL SIGNAL MODULE, 0.39 PTH</b>
0 PLC	±	PRODUCT SPEC		
1 PLC	±0.25	APPLICATION SPEC		
2 PLC	±0.13	WEIGHT		
3 PLC	±	CUSTOMER DRAWING		SIZE CAGE CODE DRAWING NO RESTRICTED TO <b>A100779C=2143153</b>
4 PLC	±	SCALE	5:1	SHEET 2 OF 2
ANGLES	±	REV	A	
FINISH	SEE TABLE			