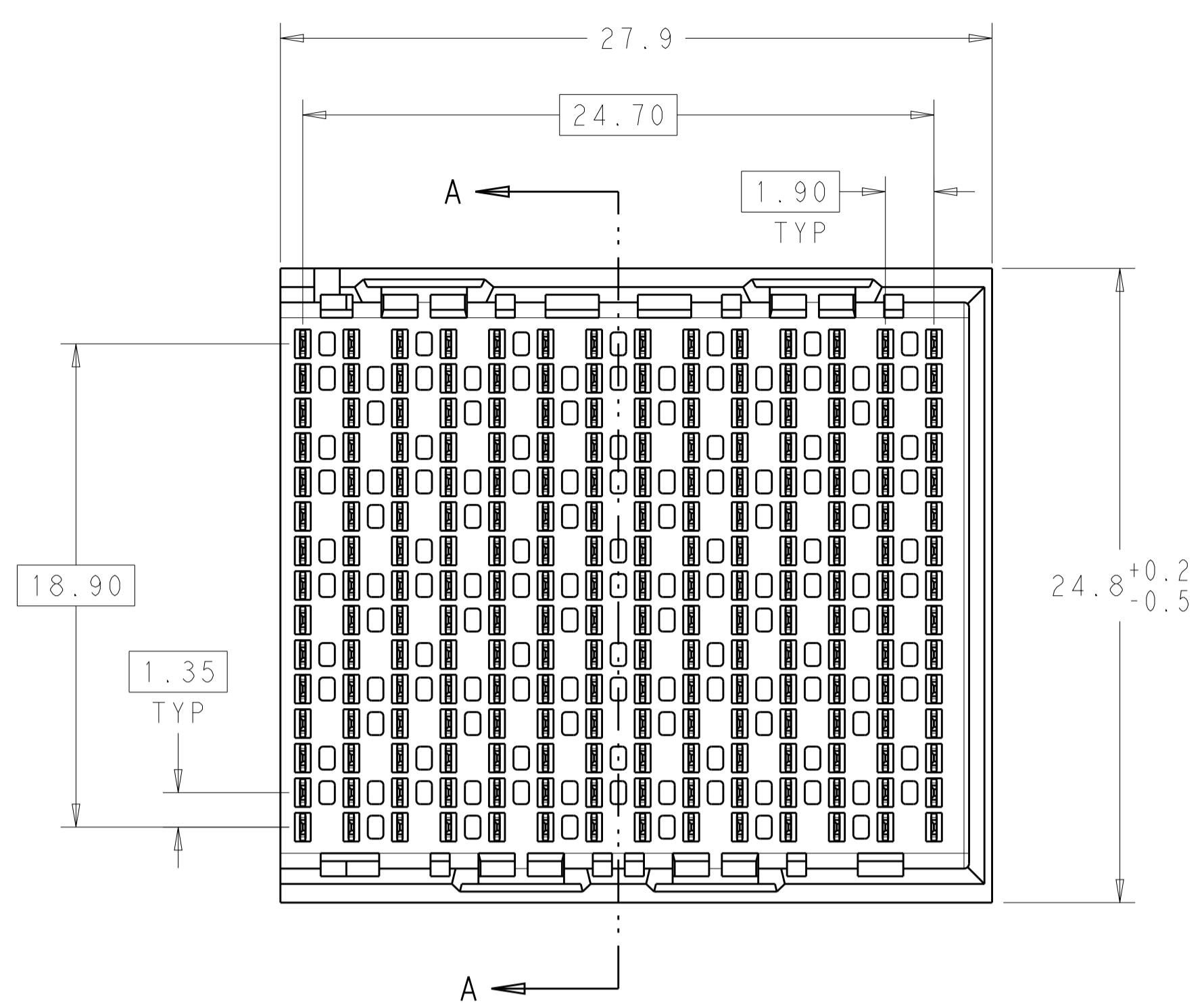
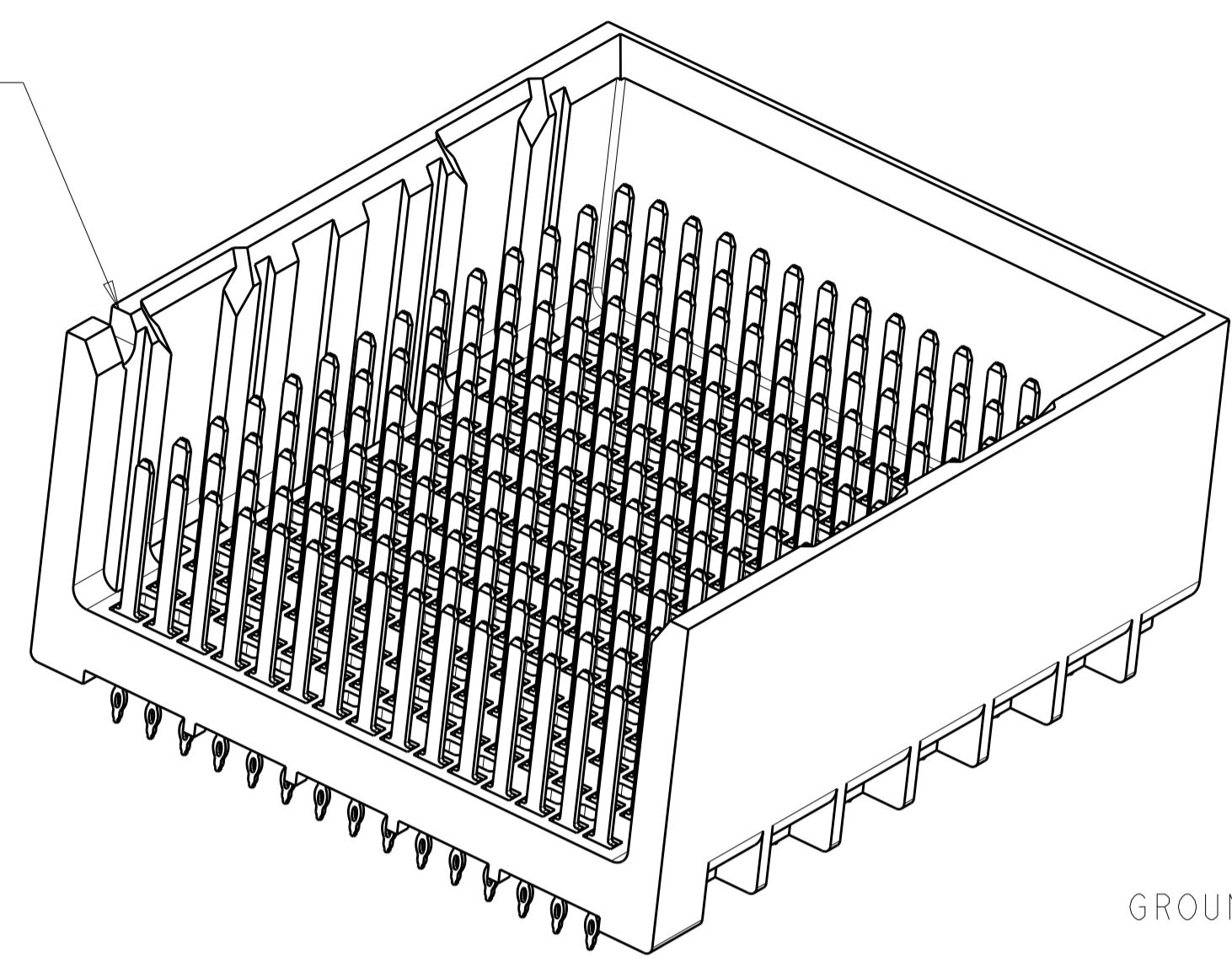


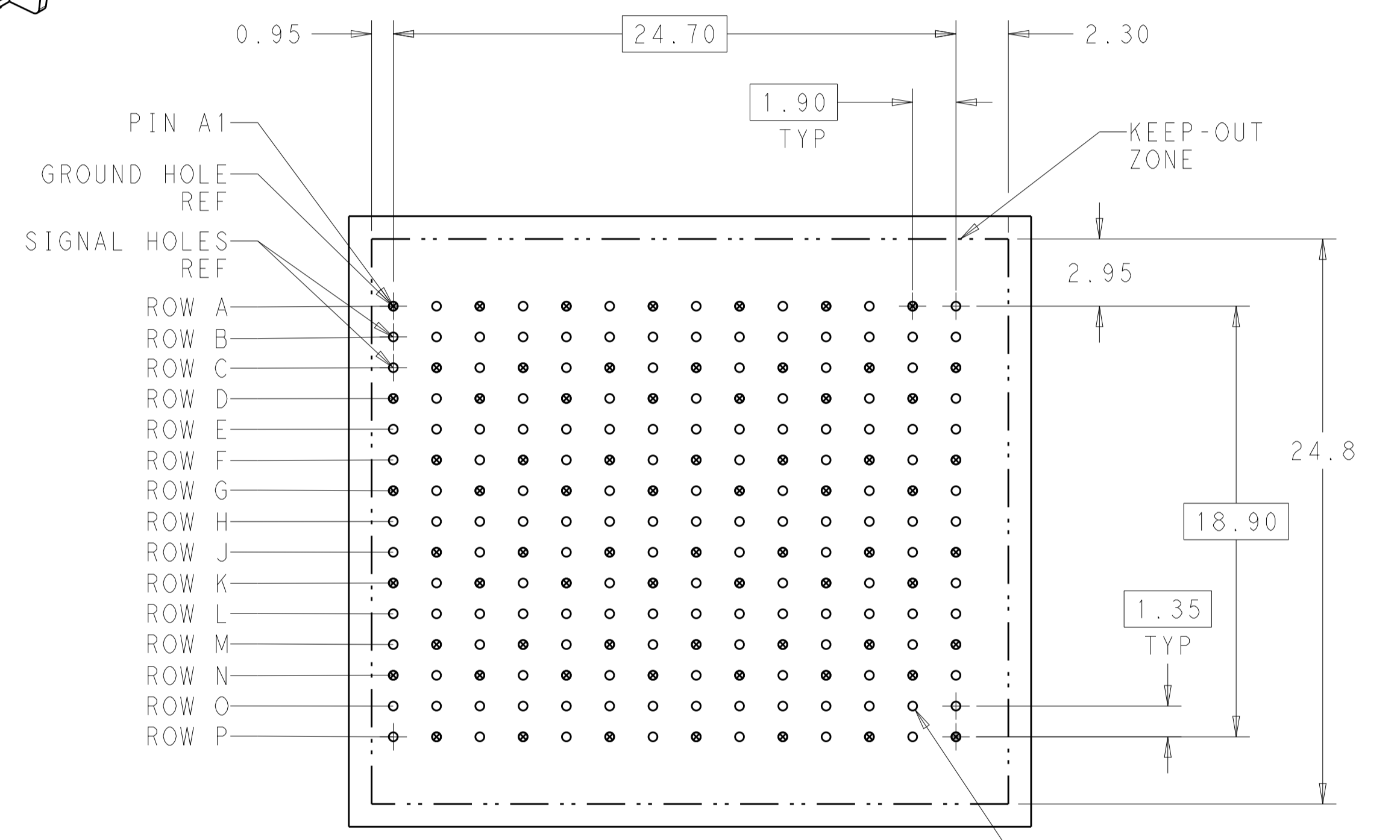
LOC		DIST		REVISIONS			
AD	00	P	LTN	DESCRIPTION	DATE	DWN	APVD
		A		CREATED BY AUTOMATION PROGRAM	06MAY2011	RKC	JE



NOTCH DESIGNATES ROW A



- 1 MATERIAL:  
HOUSING: LCP, GLASS FILLED, UL94V-0.  
TERMINALS: HIGH PERFORMANCE COPPER ALLOY.
- 2 FINISH:  
30μ" MIN GOLD IN CONTACT AREA. SELECTIVE TIN ON PCB TAILS, NICKEL OVERALL.
- 3 FINISH:  
30μ" MIN GOLD IN CONTACT AREA. SELECTIVE TIN-LEAD ON PCB TAILS, NICKEL OVERALL.

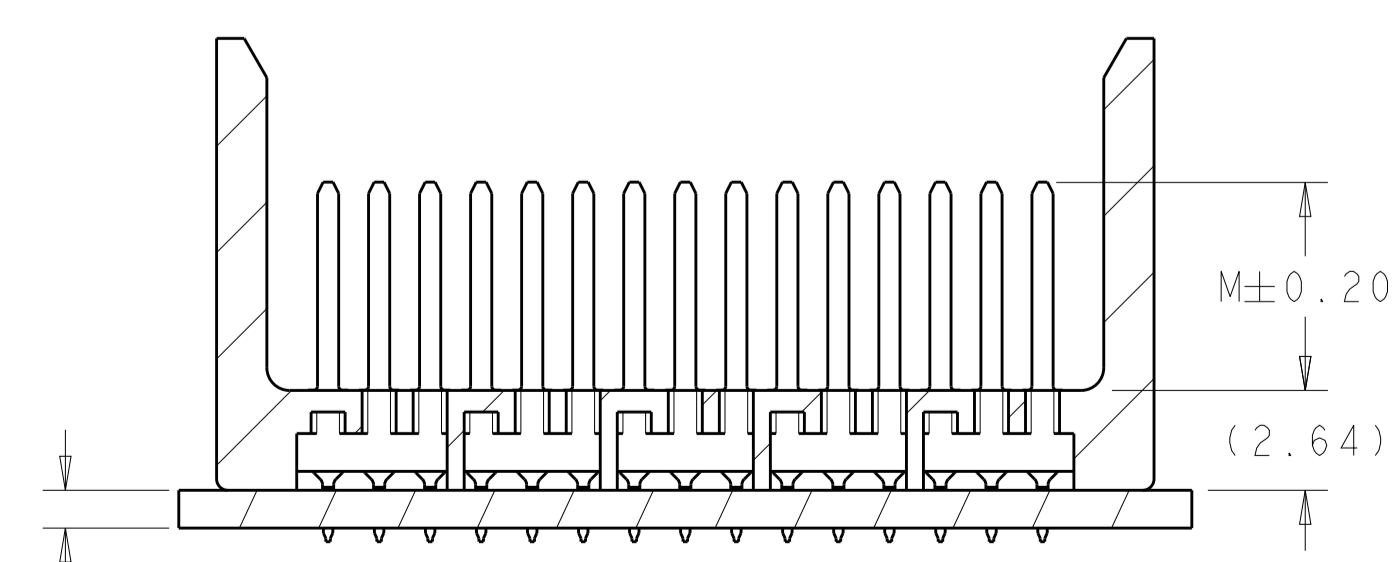
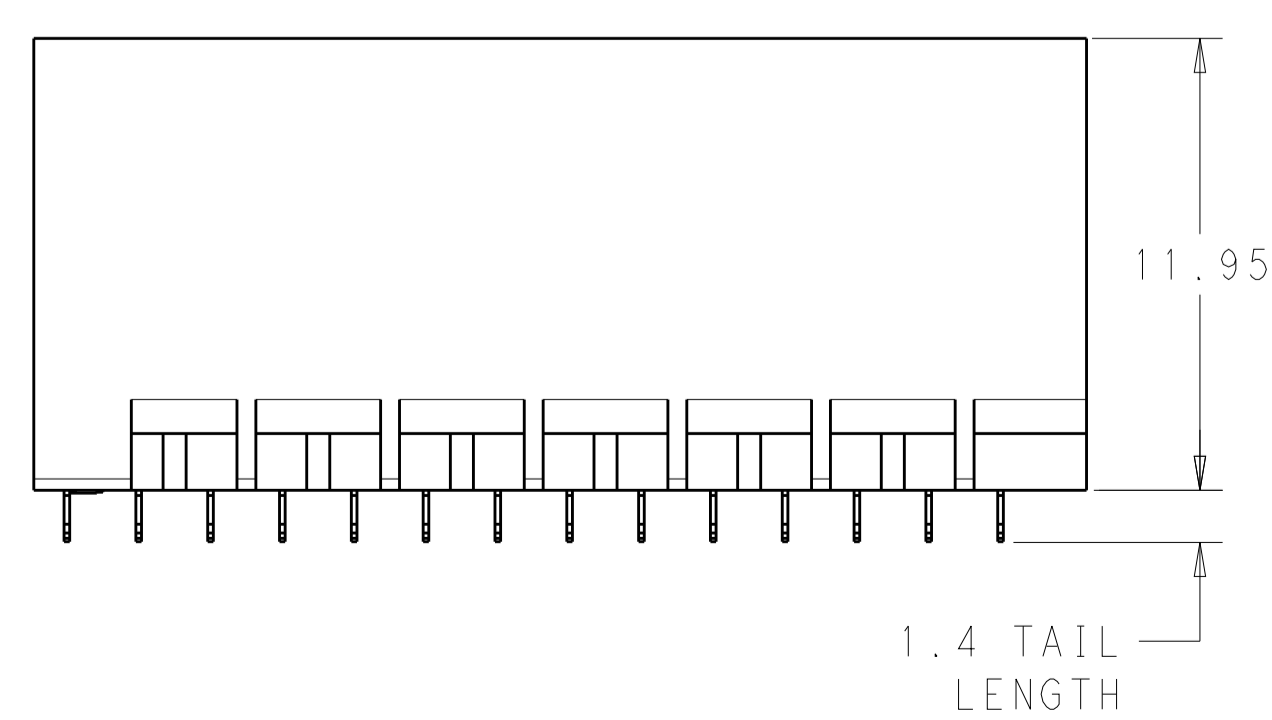


- PIN A1
- GROUND HOLE REF
- SIGNAL HOLES REF
- ROW A
- ROW B
- ROW C
- ROW D
- ROW E
- ROW F
- ROW G
- ROW H
- ROW J
- ROW K
- ROW L
- ROW M
- ROW N
- ROW O
- ROW P

210X Ø0.39±0.05 PLATED THRU HOLE

210X Ø0.48±0.013 DRILL HOLE  
 ⊕ Ø0.10

UNGUIDED BACKPLANE HOLE PATTERN (CONNECTOR SIDE)



1.00 MINIMUM BOARD THICKNESS

SECTION A-A


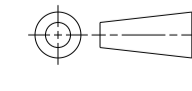
THIS DRAWING IS A CONTROLLED DOCUMENT.		DWN	05MAY2011	TE Connectivity
DIMENSIONS:		CHK	05MAY2011	
mm	0 PLC ±	APVD	05MAY2011	NAME IMPACT, 5 PAIR, 14 COLUMN, HEADER UNGUIDED, RIGHT END WALL SIGNAL MODULE, 0.39 PTH
	1 PLC ±0.25	PRODUCT SPEC		
	2 PLC ±0.13	APPLICATION SPEC		
	3 PLC ±	WEIGHT		
MATERIAL	FINISH SEE TABLE	SIZE	CAGE CODE DRAWING NO	RESTRICTED TO
	ANGLES ±	A1	00779	©=2143152
	FINISH SEE TABLE	CUSTOMER DRAWING	SCALE	5:1
			SHEET	1 OF 2
			REV	A

THIS DRAWING IS UNPUBLISHED. RELEASED FOR PUBLICATION 20  
 © COPYRIGHT 20 BY - ALL RIGHTS RESERVED.

LOC	DIST	REVISIONS					
		P	LTN	DESCRIPTION	DATE	DWN	APVD
AD	00	-	-	SEE SHEET 1	-	-	-

FINISH	DIM M	PART NUMBER
3	5.5	2143152-6
3	4.9	2143152-5
3	4.5	2143152-4
2	5.5	2143152-3
2	4.9	2143152-2
2	4.5	2143152-1

REFER TO WWW.TE.COM  
 FOR PRODUCT AVAILABILITY

THIS DRAWING IS A CONTROLLED DOCUMENT.		DWN	05MAY2011	 TE Connectivity			
DIMENSIONS:		CHK	05MAY2011				
mm		J. EARY	05MAY2011				
TOLERANCES UNLESS OTHERWISE SPECIFIED: 0 PLC ± 1 PLC ±0.25 2 PLC ±0.13 3 PLC ± 4 PLC ± ANGLES ±		APVD	J. EARY 05MAY2011	NAME	IMPACT, 5 PAIR, 14 COLUMN, HEADER UNGUIDED, RIGHT END WALL SIGNAL MODULE, 0.39 PTH		
		PRODUCT SPEC		SIZE	CAGE CODE DRAWING NO	RESTRICTED TO	
MATERIAL		APPLICATION SPEC		SCALE	A100779C=2143152		
FINISH		WEIGHT		SHEET	2	OF	2
SEE TABLE		CUSTOMER DRAWING		REV	A		