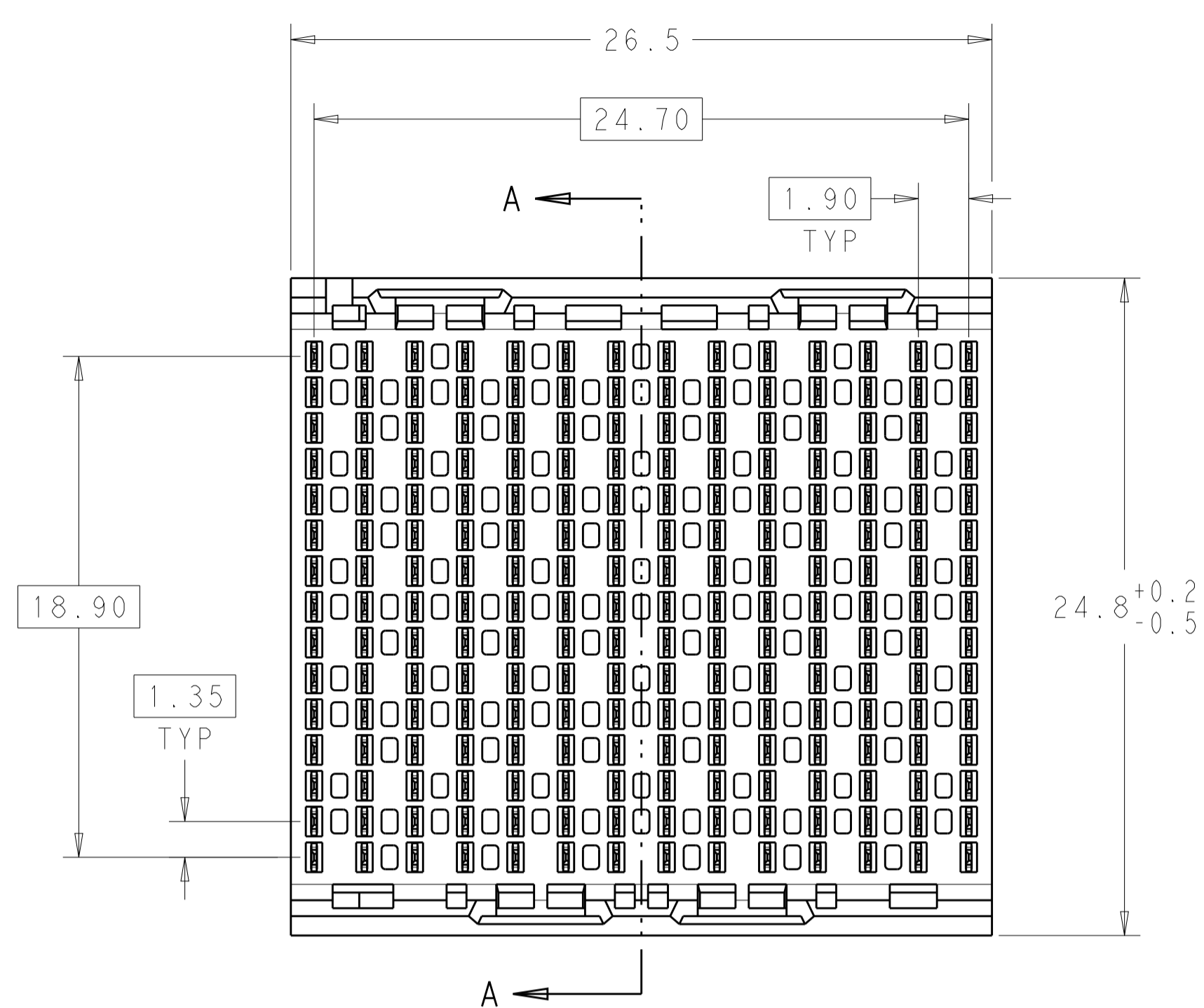
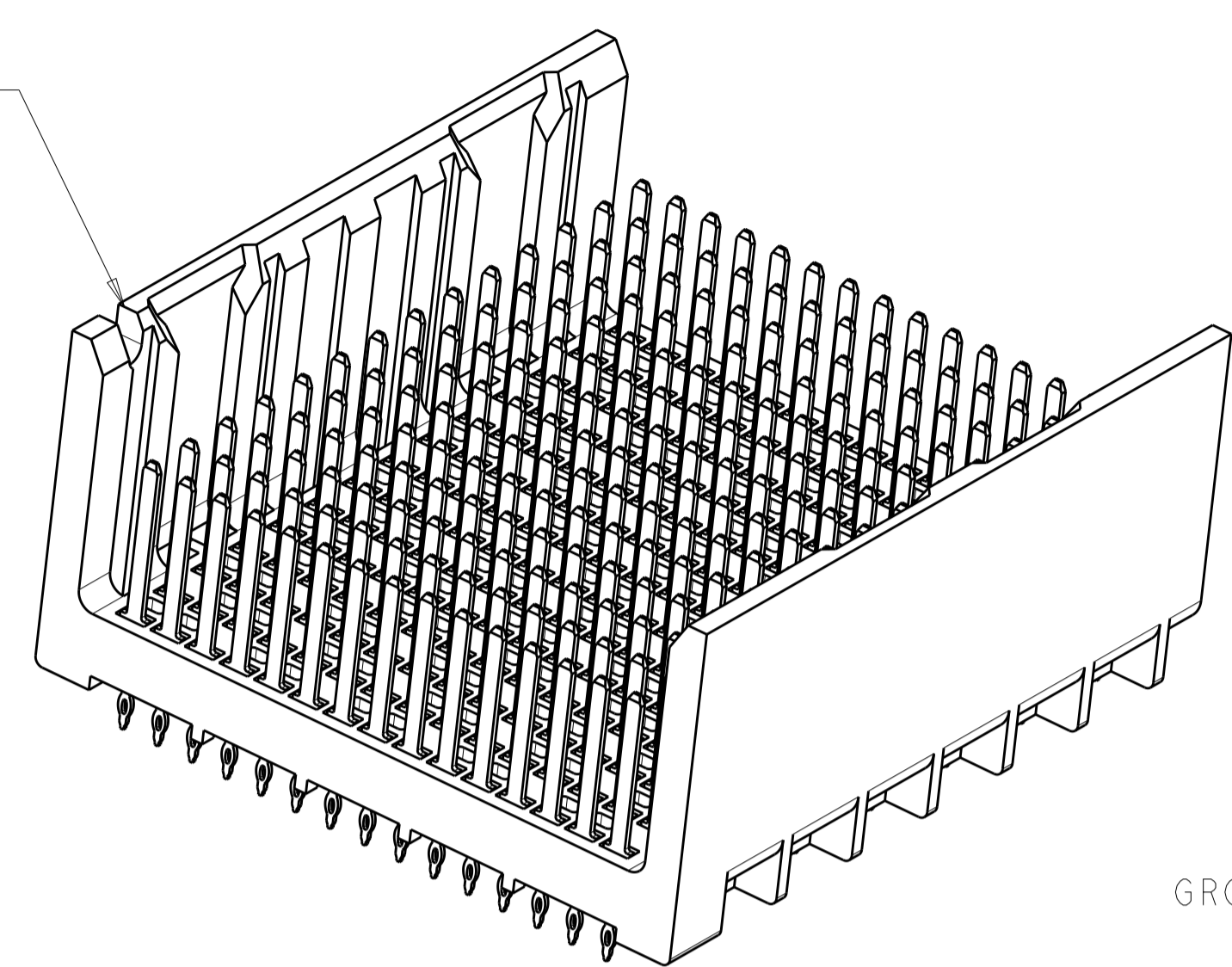


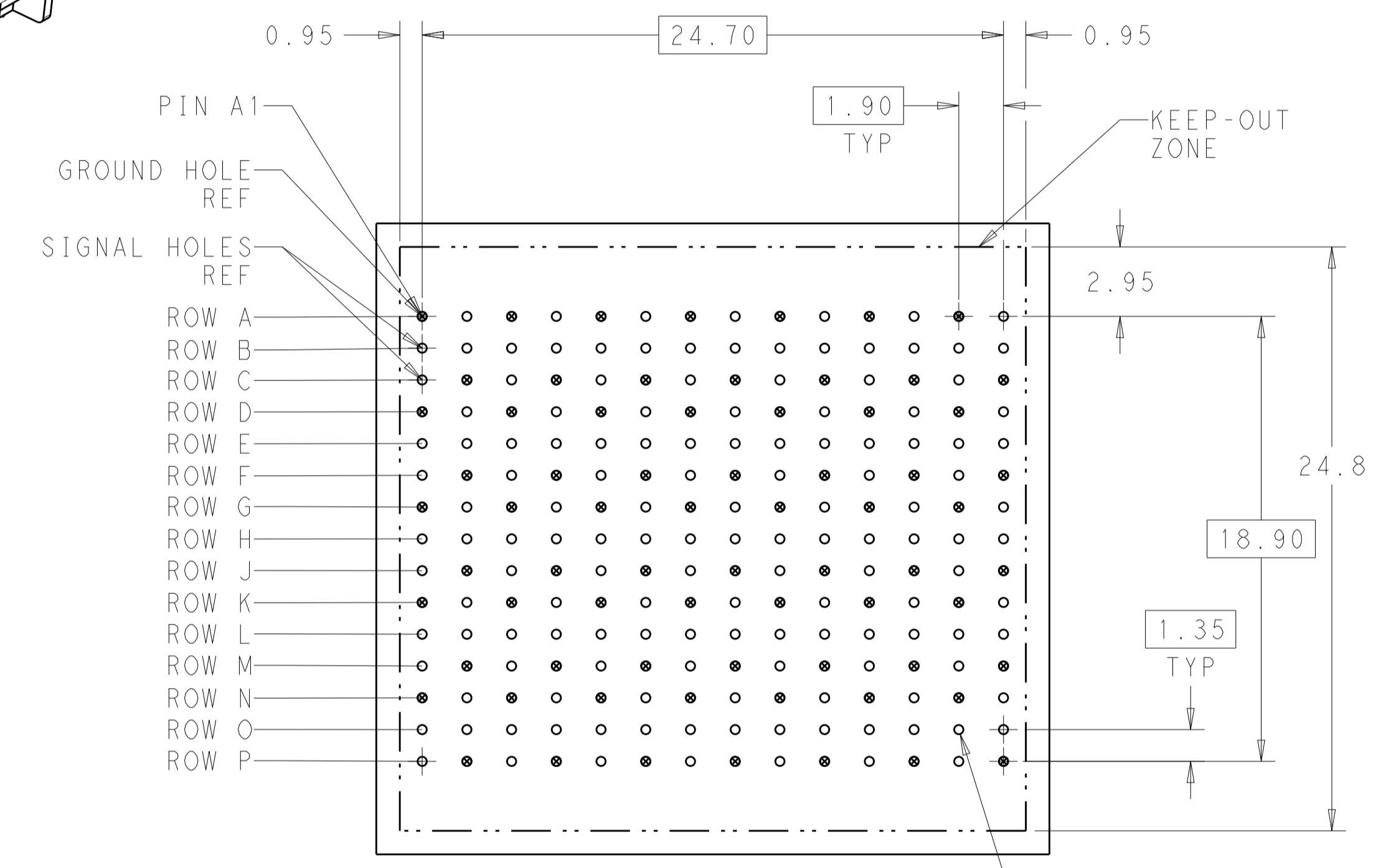
LOC	DIST	REVISIONS			
P	LTN	DESCRIPTION	DATE	DWN	APVD
A		CREATED BY AUTOMATION PROGRAM	05MAY2011	RKC	JE



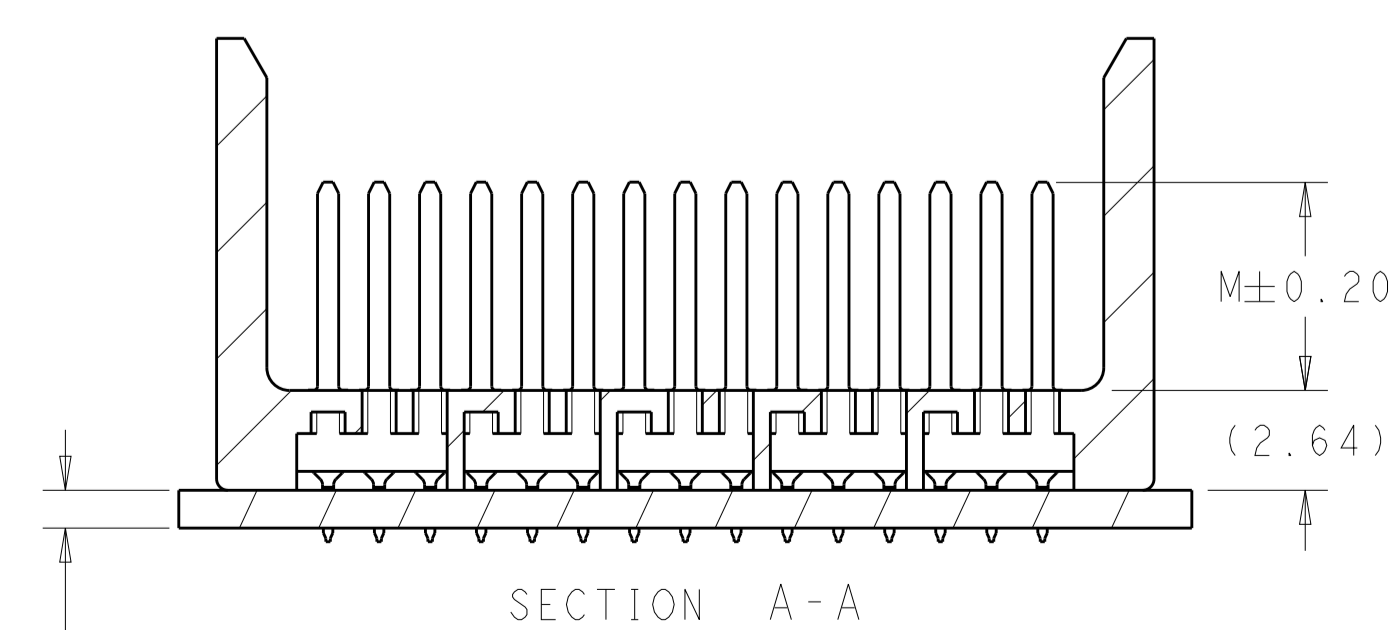
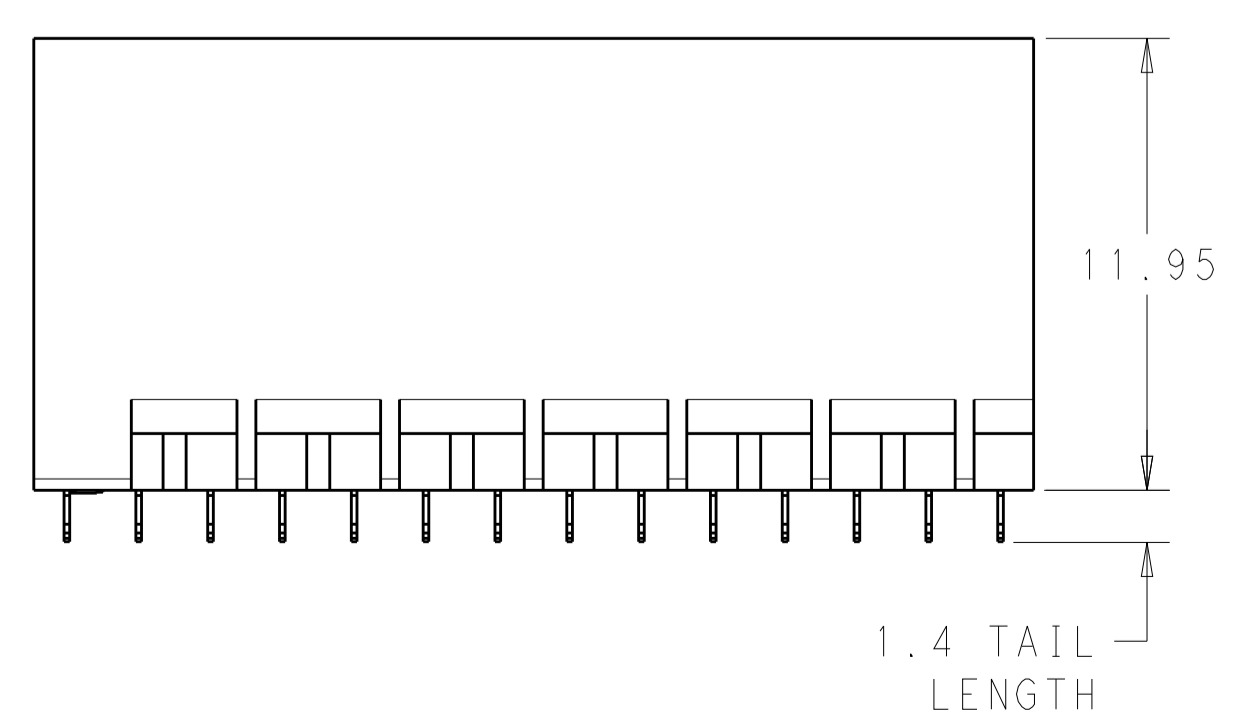
NOTCH DESIGNATES ROW A



- 1 MATERIAL:  
HOUSING: LCP, GLASS FILLED, UL94V-0.  
TERMINALS: HIGH PERFORMANCE COPPER ALLOY.
- 2 FINISH:  
30μ" MIN GOLD IN CONTACT AREA. SELECTIVE TIN ON PCB TAILS, NICKEL OVERALL.
- 3 FINISH:  
30μ" MIN GOLD IN CONTACT AREA. SELECTIVE TIN-LEAD ON PCB TAILS, NICKEL OVERALL.



210X  $\varnothing$ 0.39±0.05 PLATED THRU HOLE  
 210X  $\varnothing$ 0.48±0.013 DRILL HOLE  
 $\varnothing$ 0.10  
 UNGUIDED BACKPLANE HOLE PATTERN (CONNECTOR SIDE)



1.00 MINIMUM BOARD THICKNESS

THIS DRAWING IS A CONTROLLED DOCUMENT.		DWN	05MAY2011	TE Connectivity NAME IMPACT, 5 PAIR, 14 COLUMN, HEADER UNGUIDED, OPEN END WALL SIGNAL MODULE, 0.39 PTH			
DIMENSIONS:		CHK	J. EARY 05MAY2011				
mm		APVD	J. EARY 05MAY2011				
0 PLC ± 1 PLC ±0.25 2 PLC ±0.13 3 PLC ± 4 PLC ± ANGLES ± FINISH SEE TABLE		PRODUCT SPEC					
MATERIAL		APPLICATION SPEC		SIZE	CAGE CODE	DRAWING NO	RESTRICTED TO
		WEIGHT		A1	00779	2143149	
CUSTOMER DRAWING			SCALE	5:1	SHEET	1	OF 2
			REV	A			

THIS DRAWING IS UNPUBLISHED. RELEASED FOR PUBLICATION 20  
 © COPYRIGHT 20 BY - ALL RIGHTS RESERVED.

LOC	DIST	REVISIONS					
		P	LTN	DESCRIPTION	DATE	DWN	APVD
AD	00	-	-	SEE SHEET 1	-	-	-

FINISH	DIM M	PART NUMBER
$\triangle_3$	5.5	2143149-6
$\triangle_3$	4.9	2143149-5
$\triangle_3$	4.5	2143149-4
$\triangle_2$	5.5	2143149-3
$\triangle_2$	4.9	2143149-2
$\triangle_2$	4.5	2143149-1

REFER TO WWW.TE.COM  
FOR PRODUCT AVAILABILITY

THIS DRAWING IS A CONTROLLED DOCUMENT.		DWN	05MAY2011		TE Connectivity
DIMENSIONS:		CHK	J. EARY 05MAY2011		
mm	TOLERANCES UNLESS OTHERWISE SPECIFIED:	APVD	J. EARY 05MAY2011	NAME	
	0 PLC ±	PRODUCT SPEC		IMPACT, 5 PAIR, 14 COLUMN, HEADER	
	1 PLC ±0.25	APPLICATION SPEC		UNGUIDED, OPEN END WALL	
	2 PLC ±0.13	WEIGHT		SIGNAL MODULE, 0.39 PTH	
	3 PLC ±	MATERIAL		SIZE CAGE CODE DRAWING NO RESTRICTED TO	
	4 PLC ±	FINISH		A100779C=2143149	
	ANGLES ±	CUSTOMER DRAWING		SCALE 5:1 SHEET 2 OF 2 REV A	
	SEE TABLE				