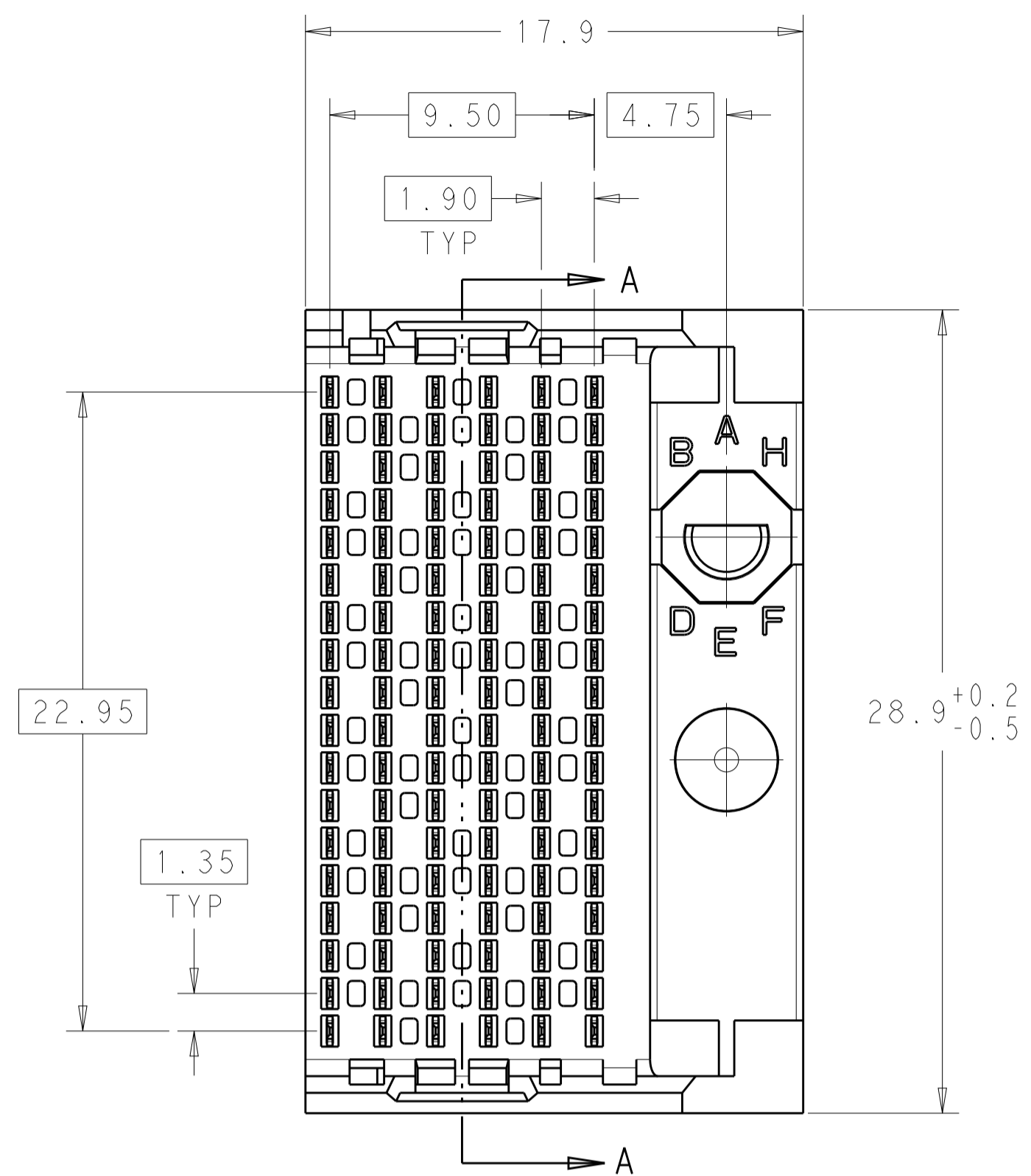
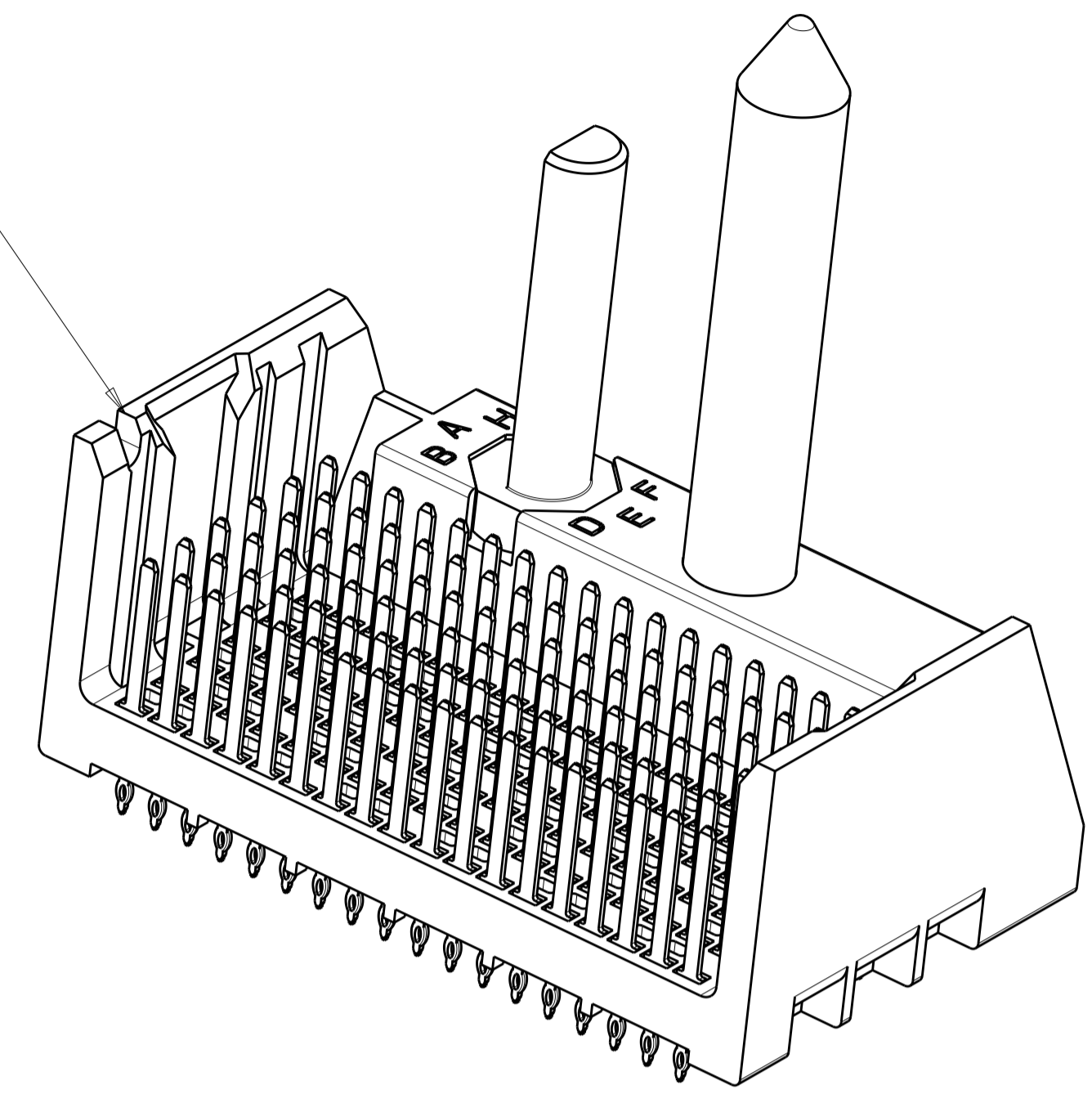


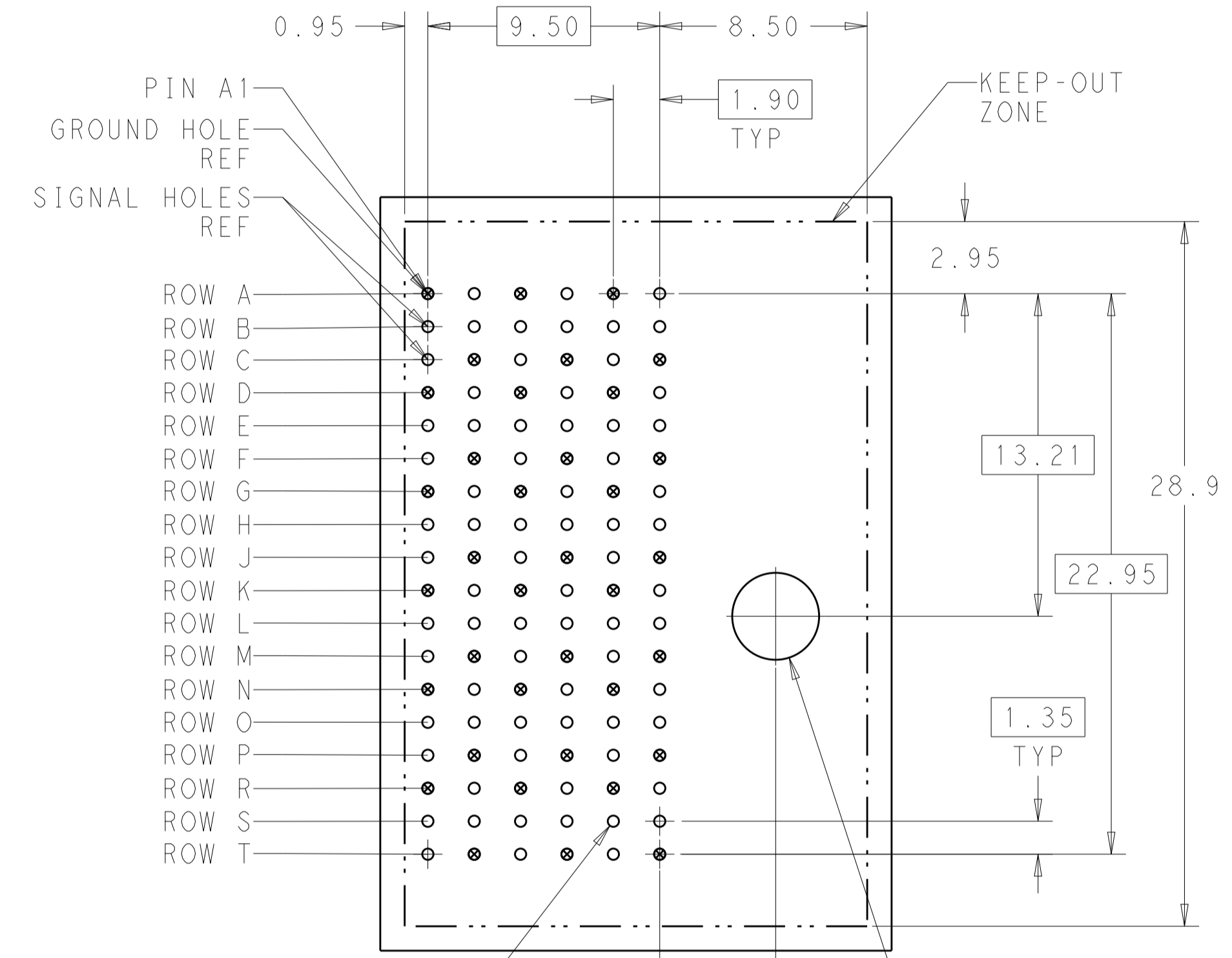
LOC		DIST		REVISIONS			
AD	00	P	LTN	DESCRIPTION	DATE	DWN	APVD
		A		CREATED BY AUTOMATION PROGRAM	09JUN2011	RKC	JE



NOTCH DESIGNATES ROW A

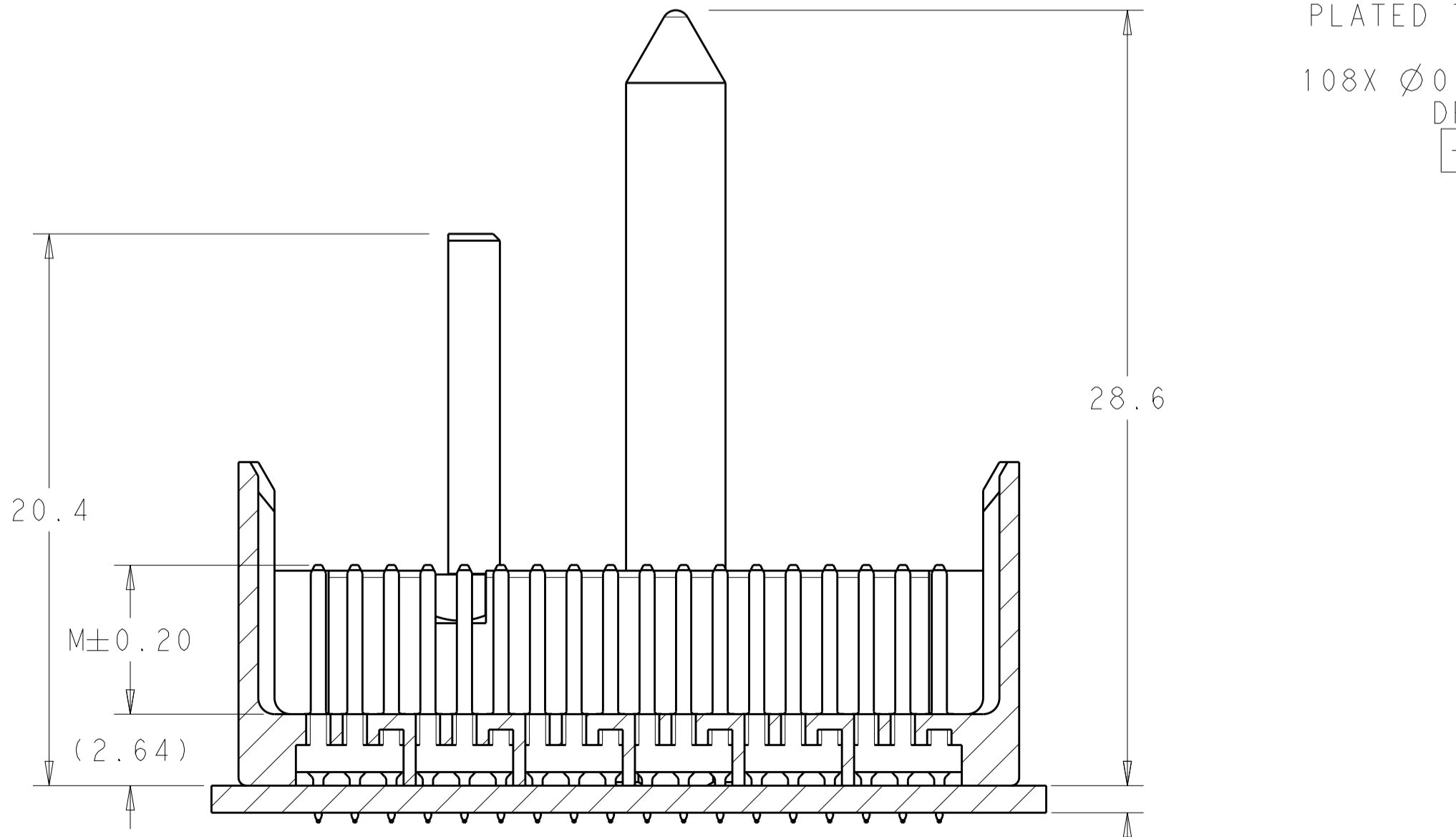
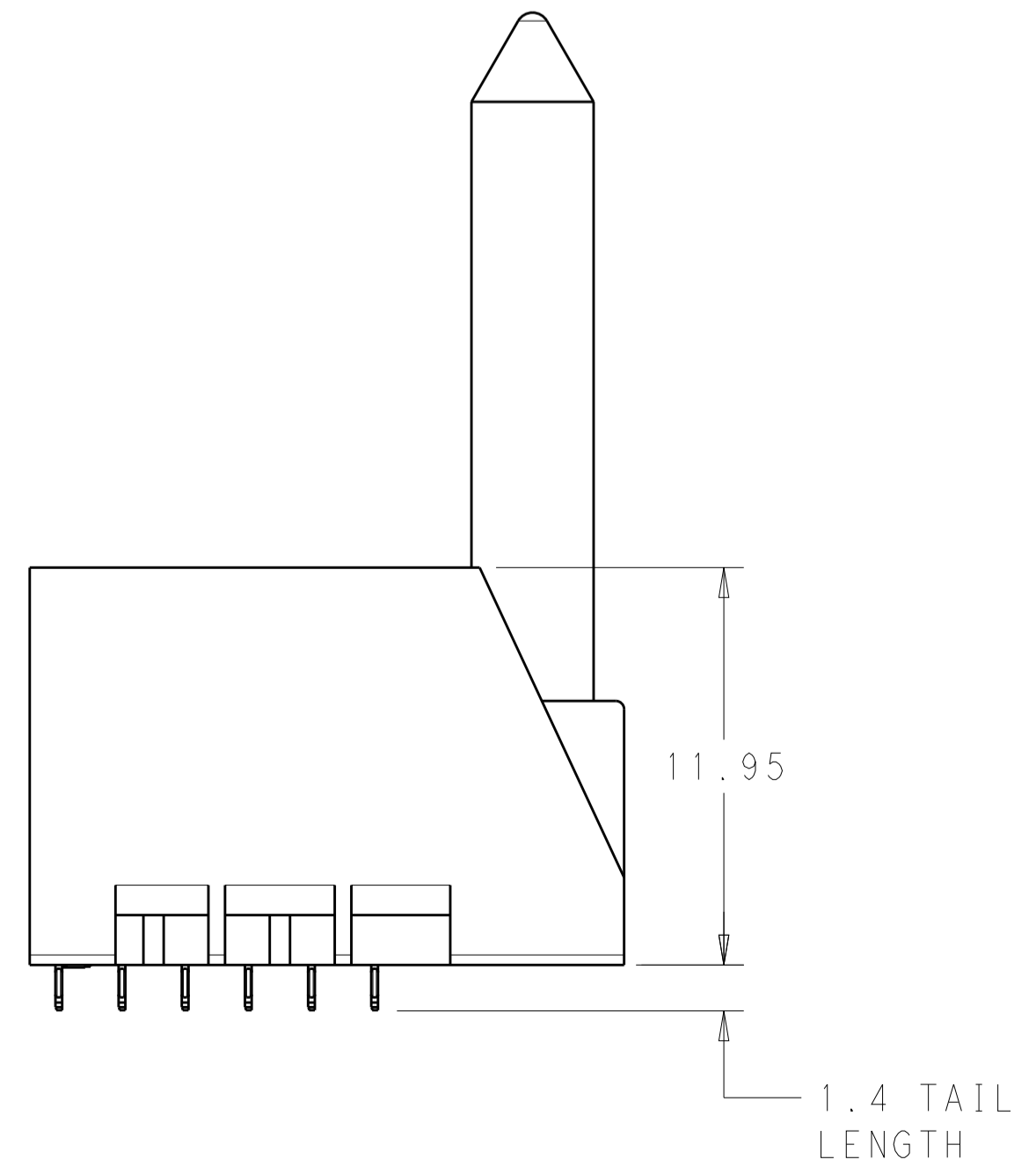


- 1. MATERIAL:  
HOUSING: LCP, GLASS FILLED, UL94V-0.  
TERMINALS: HIGH PERFORMANCE COPPER ALLOY.
- 2. FINISH:  
30µ" MIN GOLD IN CONTACT AREA. SELECTIVE TIN ON PCB TAILS, NICKEL OVERALL.
- 3. FINISH:  
30µ" MIN GOLD IN CONTACT AREA. SELECTIVE TIN-LEAD ON PCB TAILS, NICKEL OVERALL.
- 4. SCREWS PACKAGED IN END OF PACKAGING TUBE.
- 5. FOR GROUNDED GUIDE PIN USE  $\varnothing 3.56 \pm 0.08$  PTH,  $\varnothing 3.66$  DRILL, AND  $\varnothing 6.5$  PAD.
- 6. KEYING PIN SHOWN IN POSITION A, SEE KEYING CHART ON SHEET 2 FOR OTHER POSITIONS.



108X  $\varnothing 0.46 \pm 0.05$  PLATED THRU HOLE  
 108X  $\varnothing 0.55 \pm 0.013$  DRILL HOLE  $\varnothing 0.10$   
 $\varnothing 3.56 \pm 0.08$  UNPLATED SCREW HOLE

RIGHT GUIDED BACKPLANE HOLE PATTERN (CONNECTOR SIDE)



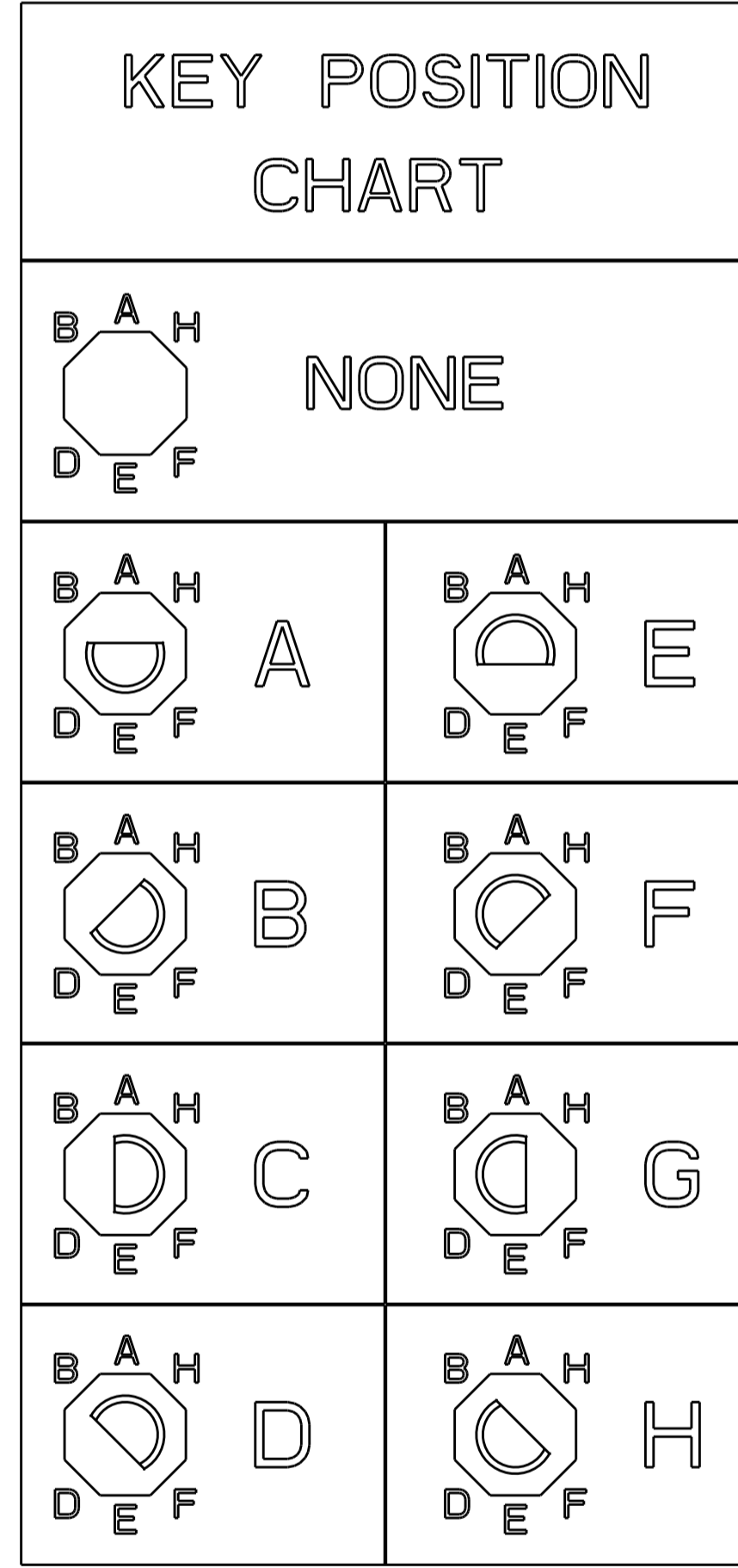
SECTION A-A

1.00 MINIMUM BOARD THICKNESS

THIS DRAWING IS A CONTROLLED DOCUMENT.		DWN R. COELLO 07JUN2011	TE Connectivity
DIMENSIONS: mm		CHK J. EARY 07JUN2011	
TOLERANCES UNLESS OTHERWISE SPECIFIED:		APVD J. EARY 07JUN2011	NAME IMPACT, 6 PAIR, 6 COLUMN, HEADER RIGHT GUIDED, OPEN END WALL SIGNAL MODULE, 0.46 PTH
0 PLC	±	PRODUCT SPEC	SIZE CAGE CODE DRAWING NO RESTRICTED TO
1 PLC	±0.25	APPLICATION SPEC	A100779C=2143051
2 PLC	±0.13	WEIGHT	SCALE 5:1 SHEET 1 OF 2 REV A
3 PLC	±	CUSTOMER DRAWING	
4 PLC	±		
ANGLES	±		
MATERIAL	FINISH SEE TABLE		

LOC		DIST		REVISIONS			
AD	00	P	LTN	DESCRIPTION	DATE	DWN	APVD
		-		SEE SHEET 1		-	-

3	H	5.5	8-2143051-6
3	H	4.9	8-2143051-5
3	H	4.5	8-2143051-4
2	H	5.5	8-2143051-3
2	H	4.9	8-2143051-2
2	H	4.5	8-2143051-1
3	G	5.5	7-2143051-6
3	G	4.9	7-2143051-5
3	G	4.5	7-2143051-4
2	G	5.5	7-2143051-3
2	G	4.9	7-2143051-2
2	G	4.5	7-2143051-1
3	F	5.5	6-2143051-6
3	F	4.9	6-2143051-5
3	F	4.5	6-2143051-4
2	F	5.5	6-2143051-3
2	F	4.9	6-2143051-2
2	F	4.5	6-2143051-1
3	E	5.5	5-2143051-6
3	E	4.9	5-2143051-5
3	E	4.5	5-2143051-4
2	E	5.5	5-2143051-3
2	E	4.9	5-2143051-2
2	E	4.5	5-2143051-1
3	D	5.5	4-2143051-6
3	D	4.9	4-2143051-5
3	D	4.5	4-2143051-4
2	D	5.5	4-2143051-3
2	D	4.9	4-2143051-2
2	D	4.5	4-2143051-1
3	C	5.5	3-2143051-6
3	C	4.9	3-2143051-5
3	C	4.5	3-2143051-4
2	C	5.5	3-2143051-3
2	C	4.9	3-2143051-2
2	C	4.5	3-2143051-1
3	B	5.5	2-2143051-6
3	B	4.9	2-2143051-5
3	B	4.5	2-2143051-4
2	B	5.5	2-2143051-3
2	B	4.9	2-2143051-2
2	B	4.5	2-2143051-1
3	A	5.5	1-2143051-6
3	A	4.9	1-2143051-5
3	A	4.5	1-2143051-4
2	A	5.5	1-2143051-3
2	A	4.9	1-2143051-2
2	A	4.5	1-2143051-1
3	-	5.5	2143051-6
3	-	4.9	2143051-5
3	-	4.5	2143051-4
2	-	5.5	2143051-3
2	-	4.9	2143051-2
2	-	4.5	2143051-1
FINISH	KEY POSITION	DIM M	PART NUMBER



REFER TO WWW.TE.COM  
FOR PRODUCT AVAILABILITY

THIS DRAWING IS A CONTROLLED DOCUMENT.		DWN R. COELLO 07JUN2011	<b>TE</b> Connectivity														
DIMENSIONS: mm		CHK J. EARY 07JUN2011															
TOLERANCES UNLESS OTHERWISE SPECIFIED:		APVD J. EARY 07JUN2011															
<table border="1" style="font-size: 8px;"> <tr><td>0 PLC</td><td>±</td></tr> <tr><td>1 PLC</td><td>±0.25</td></tr> <tr><td>2 PLC</td><td>±0.13</td></tr> <tr><td>3 PLC</td><td>±</td></tr> <tr><td>4 PLC</td><td>±</td></tr> <tr><td>ANGLES</td><td>±</td></tr> <tr><td>FINISH</td><td>±</td></tr> </table>		0 PLC	±	1 PLC	±0.25	2 PLC	±0.13	3 PLC	±	4 PLC	±	ANGLES	±	FINISH	±	NAME: IMPACT, 6 PAIR, 6 COLUMN, HEADER RIGHT GUIDED, OPEN END WALL SIGNAL MODULE, 0.46 PTH	RESTRICTED TO
0 PLC	±																
1 PLC	±0.25																
2 PLC	±0.13																
3 PLC	±																
4 PLC	±																
ANGLES	±																
FINISH	±																
MATERIAL: -		PRODUCT SPEC: -	SIZE: A100779														
SEE TABLE		APPLICATION SPEC: -	CAGE CODE: C=2143051														
CUSTOMER DRAWING		WEIGHT: -	SCALE: 5:1 SHEET 2 OF 2 REV A														