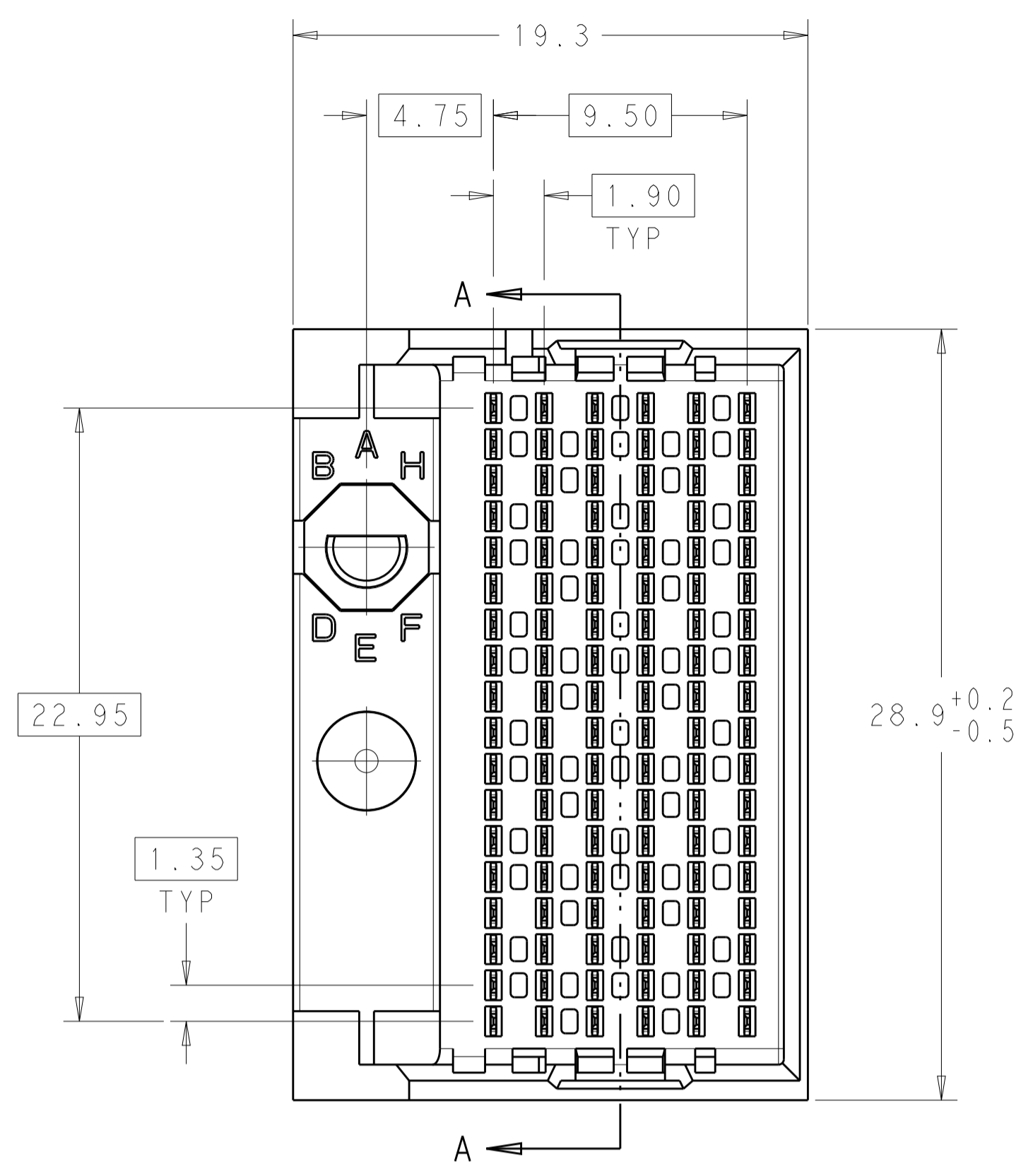
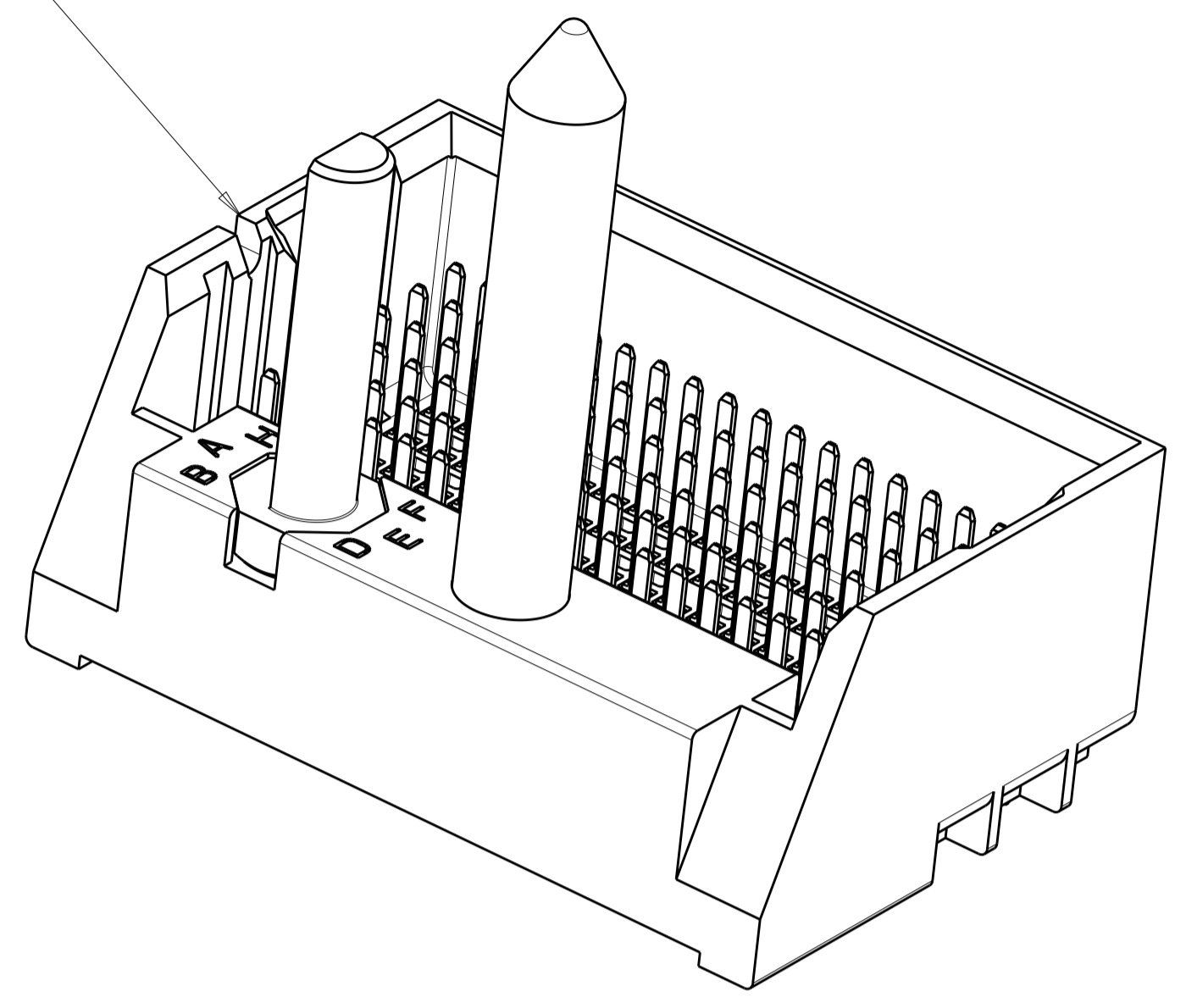


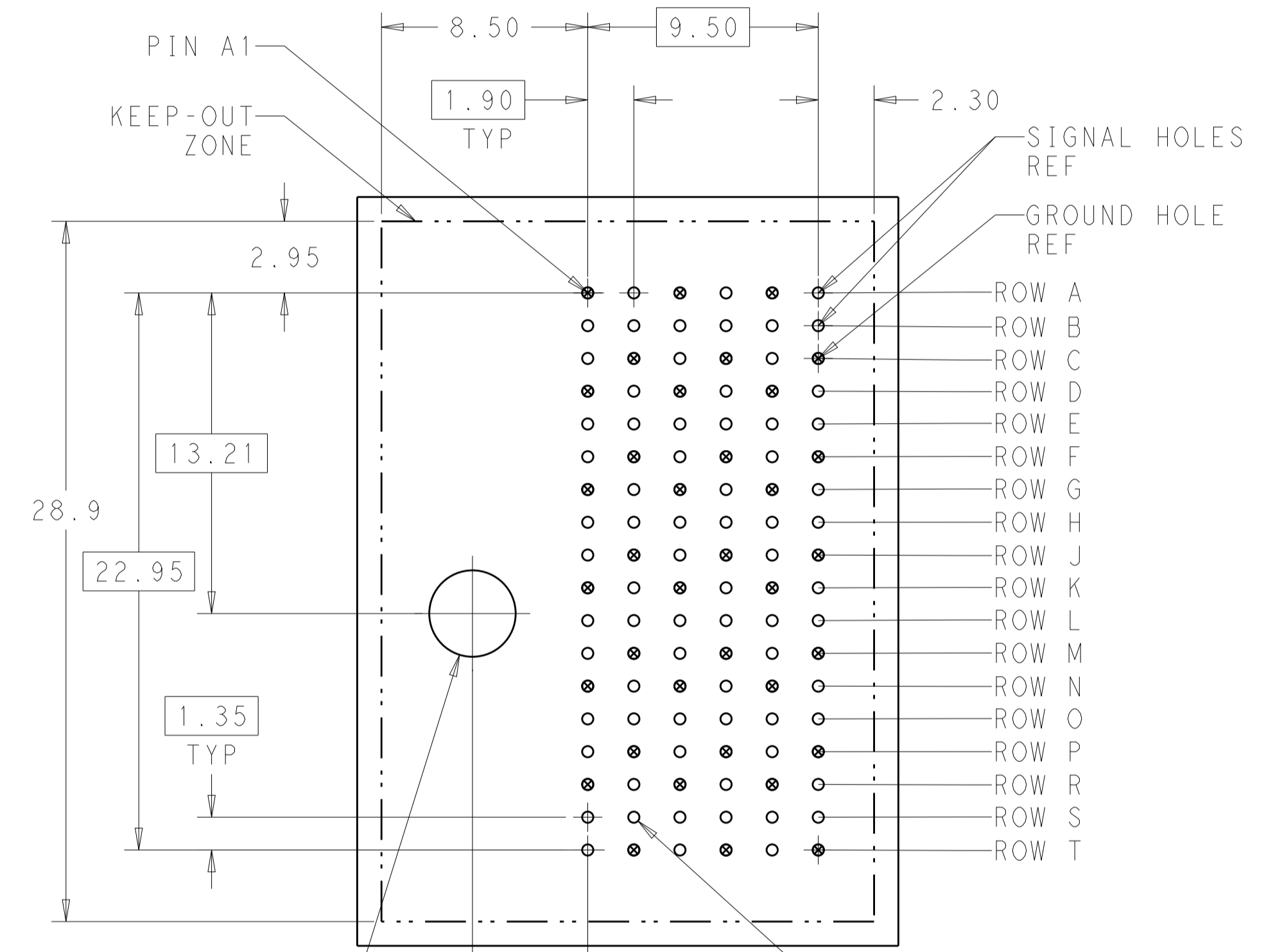
LOC	DIST	REVISIONS					
		P	LTN	DESCRIPTION	DATE	DWN	APVD
AD	00	A		CREATED BY AUTOMATION PROGRAM	09JUN2011	RKC	JE



NOTCH DESIGNATES ROW A



- 1 MATERIAL:
HOUSING: LCP, GLASS FILLED, UL94V-0.
TERMINALS: HIGH PERFORMANCE COPPER ALLOY.
- 2 FINISH:
30μ" MIN GOLD IN CONTACT AREA. SELECTIVE TIN ON PCB TAILS, NICKEL OVERALL.
- 3 FINISH:
30μ" MIN GOLD IN CONTACT AREA. SELECTIVE TIN-LEAD ON PCB TAILS, NICKEL OVERALL.
- 4. SCREWS PACKAGED IN END OF PACKAGING TUBE.
- 5 FOR GROUNDED GUIDE PIN USE Ø3.56±0.08 PTH, Ø3.66 DRILL, AND Ø6.5 PAD.
- 6. KEYING PIN SHOWN IN POSITION A, SEE KEYING CHART ON SHEET 2 FOR OTHER POSITIONS.

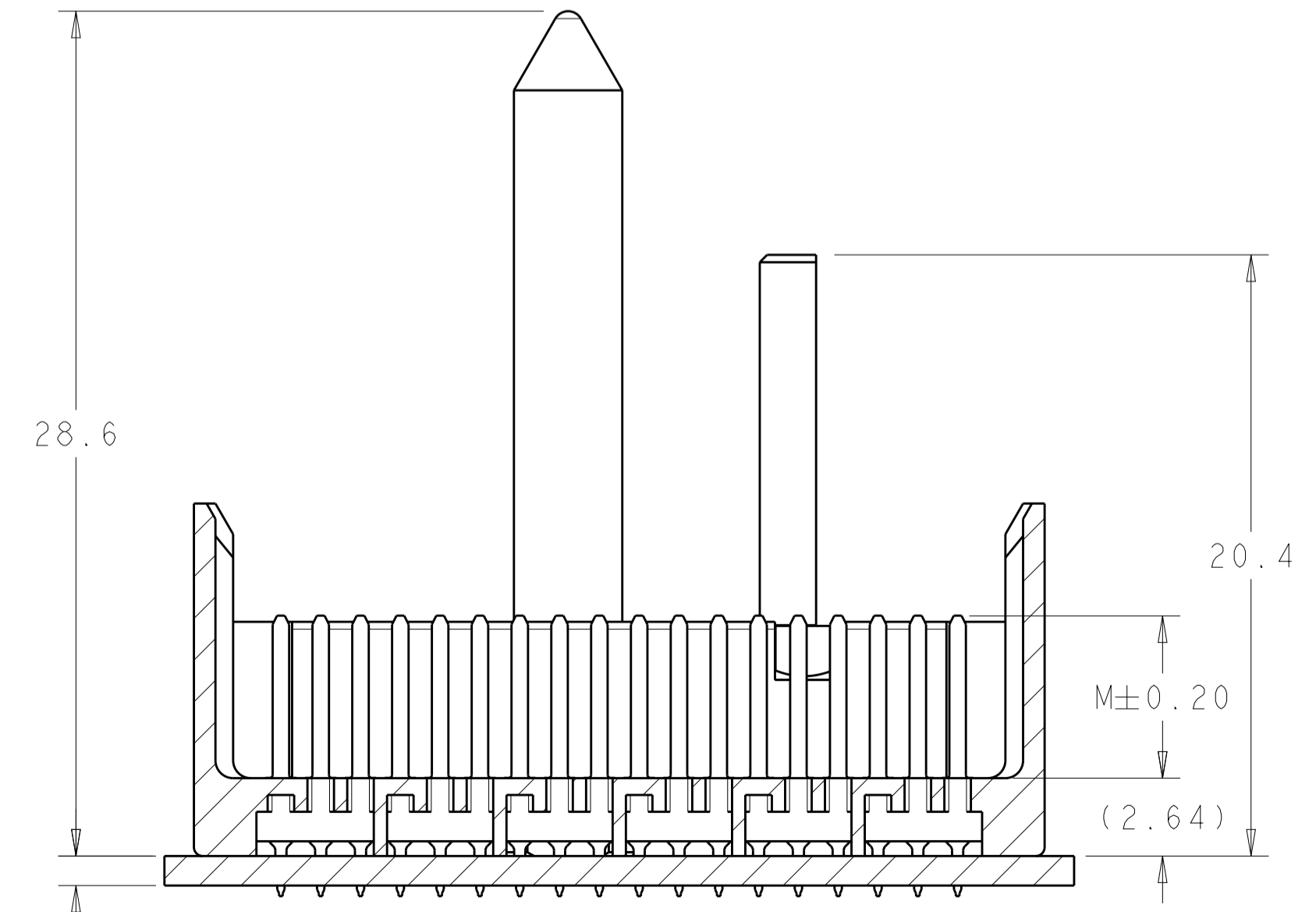
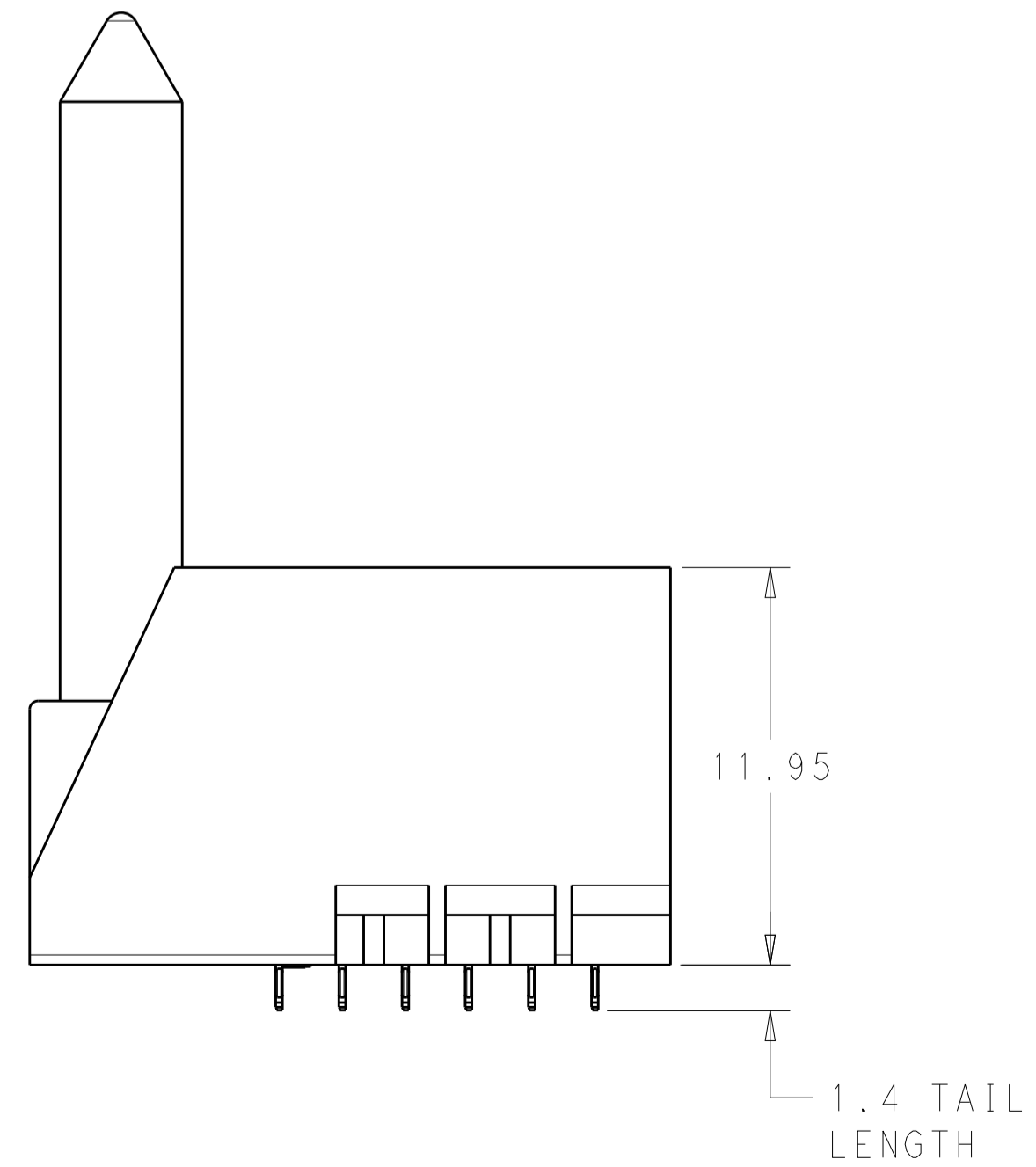


Ø3.56±0.08 UNPLATED SCREW HOLE

108X Ø0.46±0.05 PLATED THRU HOLE

108X Ø0.55±0.013 DRILL HOLE

LEFT GUIDED BACKPLANE HOLE PATTERN (CONNECTOR SIDE)



SECTION A-A

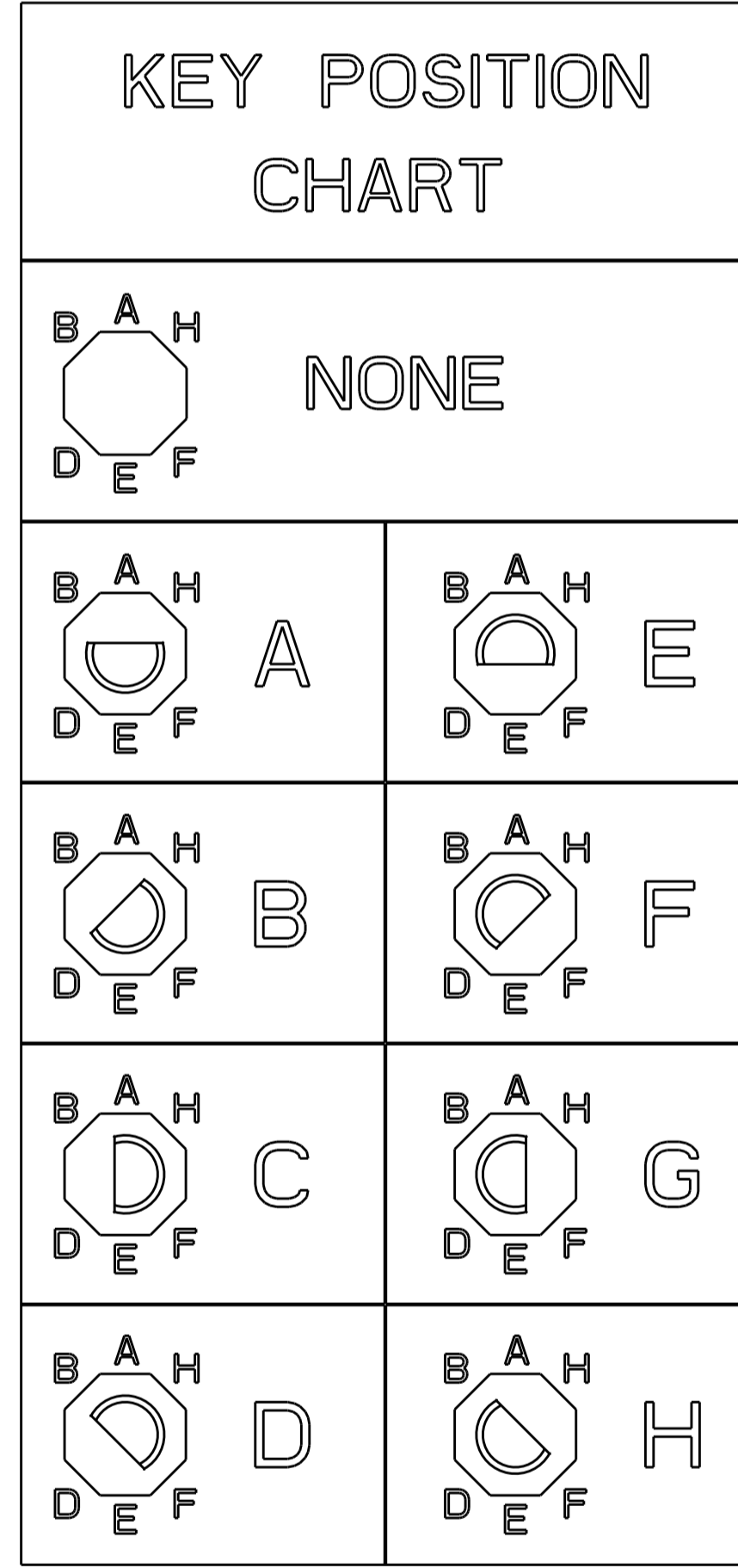
1.00 MINIMUM BOARD THICKNESS

THIS DRAWING IS A CONTROLLED DOCUMENT.		DWN R. COELLO 07JUN2011	TE Connectivity
DIMENSIONS: mm		CHK J. EARY 07JUN2011	
TOLERANCES UNLESS OTHERWISE SPECIFIED:		APVD J. EARY 07JUN2011	
0 PLC ±0.25 1 PLC ±0.13 2 PLC ±0.13 3 PLC ±0.13 4 PLC ±0.13 ANGLES ±0.13		NAME: IMPACT, 6 PAIR, 6 COLUMN, HEADER LEFT GUIDED, RIGHT END WALL SIGNAL MODULE, 0.46 PTH SIZE: CAGE CODE DRAWING NO: A100779 ©=2143050 WEIGHT: - CUSTOMER DRAWING	
MATERIAL: SEE TABLE		RESTRICTED TO: -	SCALE: 5:1 SHEET 1 OF 2 REV A

LOC	DIST	REV	DATE	BY	APPV
AD	00				

REVISIONS					
NO.	DESCRIPTION	DATE	BY	APPV	
-	SEE SHEET 1	-	-	-	-

3	H	5.5	8-2143050-6
3	H	4.9	8-2143050-5
3	H	4.5	8-2143050-4
2	H	5.5	8-2143050-3
2	H	4.9	8-2143050-2
2	H	4.5	8-2143050-1
3	G	5.5	7-2143050-6
3	G	4.9	7-2143050-5
3	G	4.5	7-2143050-4
2	G	5.5	7-2143050-3
2	G	4.9	7-2143050-2
2	G	4.5	7-2143050-1
3	F	5.5	6-2143050-6
3	F	4.9	6-2143050-5
3	F	4.5	6-2143050-4
2	F	5.5	6-2143050-3
2	F	4.9	6-2143050-2
2	F	4.5	6-2143050-1
3	E	5.5	5-2143050-6
3	E	4.9	5-2143050-5
3	E	4.5	5-2143050-4
2	E	5.5	5-2143050-3
2	E	4.9	5-2143050-2
2	E	4.5	5-2143050-1
3	D	5.5	4-2143050-6
3	D	4.9	4-2143050-5
3	D	4.5	4-2143050-4
2	D	5.5	4-2143050-3
2	D	4.9	4-2143050-2
2	D	4.5	4-2143050-1
3	C	5.5	3-2143050-6
3	C	4.9	3-2143050-5
3	C	4.5	3-2143050-4
2	C	5.5	3-2143050-3
2	C	4.9	3-2143050-2
2	C	4.5	3-2143050-1
3	B	5.5	2-2143050-6
3	B	4.9	2-2143050-5
3	B	4.5	2-2143050-4
2	B	5.5	2-2143050-3
2	B	4.9	2-2143050-2
2	B	4.5	2-2143050-1
3	A	5.5	1-2143050-6
3	A	4.9	1-2143050-5
3	A	4.5	1-2143050-4
2	A	5.5	1-2143050-3
2	A	4.9	1-2143050-2
2	A	4.5	1-2143050-1
3	-	5.5	2143050-6
3	-	4.9	2143050-5
3	-	4.5	2143050-4
2	-	5.5	2143050-3
2	-	4.9	2143050-2
2	-	4.5	2143050-1
FINISH	KEY POSITION	DIM M	PART NUMBER



REFER TO WWW.TE.COM
FOR PRODUCT AVAILABILITY

THIS DRAWING IS A CONTROLLED DOCUMENT.		DWN R. COELLO 07JUN2011 CHK J. EARY 07JUN2011 APVD J. EARY 07JUN2011	TE Connectivity
DIMENSIONS: mm	TOLERANCES UNLESS OTHERWISE SPECIFIED: 0 PLC ±0.25 1 PLC ±0.13 2 PLC ±0.13 3 PLC ±0.13 4 PLC ±0.13 ANGLES ±0.13	NAME: IMPACT, 6 PAIR, 6 COLUMN, HEADER LEFT GUIDED, RIGHT END WALL SIGNAL MODULE, 0.46 PTH PRODUCT SPEC APPLICATION SPEC	
MATERIAL: -	FINISH: SEE TABLE	WEIGHT: - CUSTOMER DRAWING	SIZE: A1 CAGE CODE: - DRAWING NO: 2143050 RESTRICTED TO: -
SCALE: 5:1		SHEET: 2 OF 2	REV: A